

## Features

- Reliable and cost-effective
- Design per EN 837-1
- Dial Size 40 mm
- IP41
- Suitable for Liquid, Gas
- Back Entry
- Range 0-6 Bar
- Dual Scale Bar / PSI
- Black plastic case
- R 1/8 Connection
- Copper Alloy socket & bourdon tube

## RS PRO pressure gauges

RS Stock No.: 4055537

Calibrated Versions: 1926330, 1926331



RS PRO is the own brand of RS. The RS PRO Seal of Approval is your assurance of professional quality, a guarantee that every part is rigorously tested, inspected, and audited against demanding standards. Making RS PRO the Smart Choice for our customers.

## Product Description

### Applications:

- For gaseous and liquid media that are not highly viscous or crystallising and will not attack copper alloy parts
- Pneumatics
- Heating and air-conditioning technology
- Medical engineering

## General Specifications

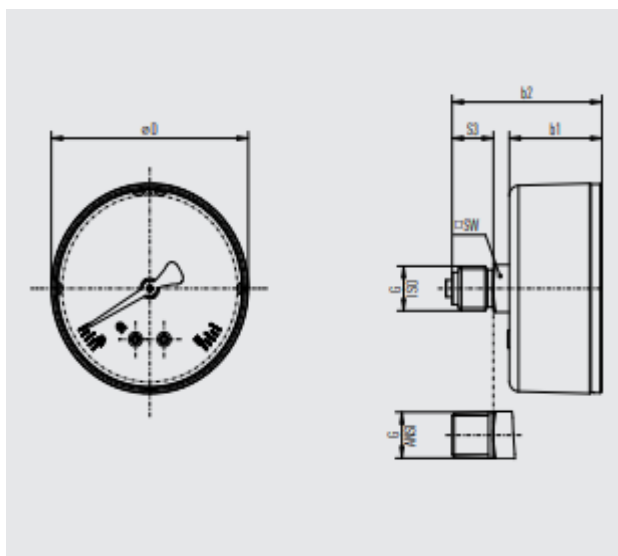
Mounting Type	Back Entry
Display type	Analogue
Case Material	Black Plastic
Socket material	Copper Alloy
Bourdon tube material	Copper Alloy
Window Material	Plastic, Clear
Ring Material	Snap-fitted in case
Protection Degree	IP41

## Mechanical Specifications

Pressure Range	0-6 Bar
Working Pressure	Steady $\frac{3}{4}$ x full scale value, Fluctuating $\frac{2}{3}$ x full scale value, Short time Full scale value
Maximum Pressure Measurement	6 Bar
Minimum Pressure Measurement	0 Bar
Connection Size	R 1/8
Gauge Outside Diameter	40 mm
Over pressure limit (15 min max)	Standard
Accuracy Class	$\pm 2.5\%$ as per EN 837-1
Minimum Operating Temperature	-40°C
Maximum Operating Temperature	+60°C
Calibrated	No, Calibrated Versions: 1926330, 1926331

Declarations	EU declaration of conformity Pressure equipment directive PS > 200 bar, module A, pressure accessory
Standards Met	EN 837-1

## Technical Specifications and Drawings



NS	Dimensions in mm [in]					
	$h \pm 1$ [0.04]	S3	a	$b \pm 0.5$ [0.02]	D	SW

40 [1 ½"]	26.4 [1.53]	44.0 [1.73]	12.0 [0.47]	39.0 [1.53]	14 [0.55]
-----------	-------------	-------------	-------------	-------------	-----------

NS	Weight in kg [lb]
----	-------------------

40 [1 ½"]	0.06 [0.13]
-----------	-------------