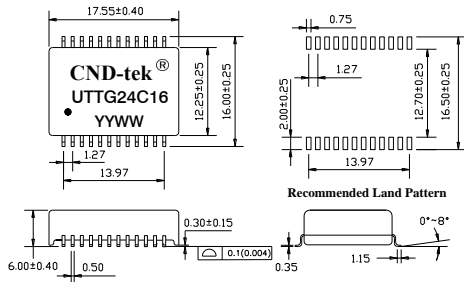


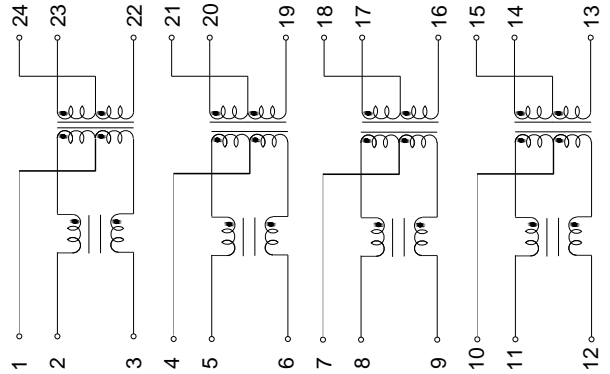
1. Designed for long haul 10G POE+ Single Port Transformer Module
2. Supports four pairs of category 5 UTP cable,Cable interface for isolation and low common mode emission .
- 3 . Low profile Surface Mount Packaging designed for Hi-Temp Reflow Process
4. Compliant with IEEE 802.3an&at. standard for 10G Base-Z,Designed to support 1:1 Turns Ratio Transceivers.
5. DC Line Current : 720mA Max @ 57V



DIMENSIONS & SCHEMATICS



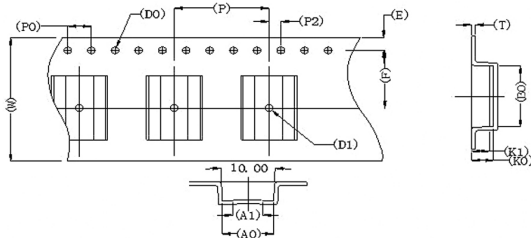
- Notes:**
1. Dimension: mm
 2. Unless otherwise specified, all tolerances are: ±0.15mm



TECHNICAL SPECIFICATIONS

OCL :	160 μ H Min. @ 100 KHz, 100mV with 8mA DC Bias
Leakage Inductance:	0.35 μ H Max. @ 100KHz, 0.1V
Cw/w:	35 pF Max. @ 100KHz, 0.1V
DCR:	1.00 Ω Max
Turns Ratio (\pm 5%):	1CT:1 (TX), 1CT:1 (RX)
Insertion Loss:	-1.0 dB Max. @ 1-300MHz -2.0dB Max. @ 400MHz
Return Loss:	-3.0 dB Max. @ 500MHz -20dB Min. @ 1-100MHz -18dB Min. @ 200MHz -15 dB Min. @ 300 MHz -10 dB Min. @ 400 MHz
Cross Talk:	-8 dB Min. @ 500 MHz -40 dB Min. @ 1-100 MHz
Common Mode Rejection :	-30 dB Min. @ 100-500 MHz -35 dB Min. @ 1-100 MHz -30 dB Min. @ 100-300 MHz -25 dB Min. @ 300-500 MHz
Isolation HI-POT:	1500Vrms 1mA 60Second or 1650VAC 1mA 6S
Operating Temperature range:	-40 C ~ +85 C
Storage temperature range:	-40 C ~ +125 C

PACKING SPECIFICATION



1. units/reel:400PCS
- 2 reel/carton:5PCS
- 3.units/carton :2000PCS

