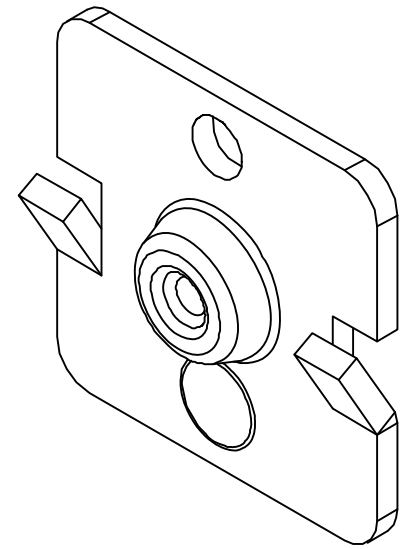
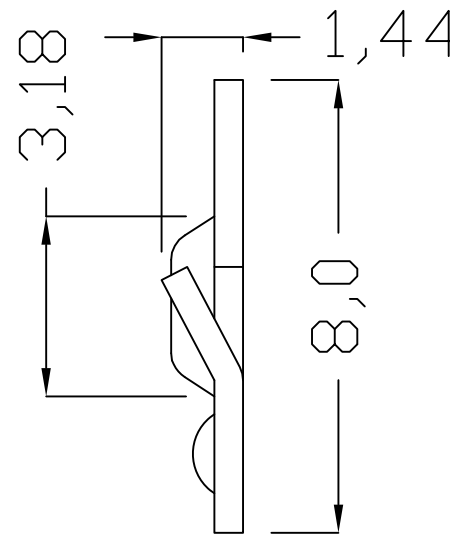
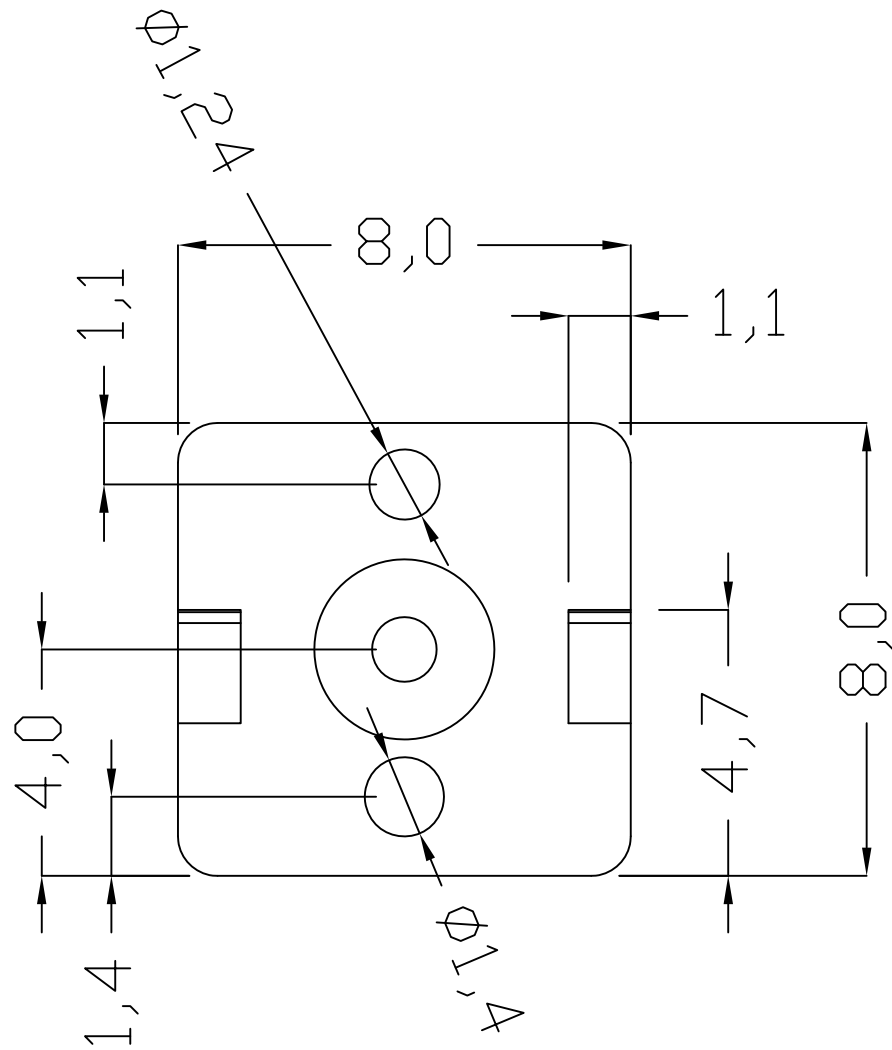




REV.	ECN NO.	REVISED	DATE



工程部  
2019-05-24  
LQ. HUANG

UNLESS OTHERWISE SPECIFIED TOLERANCES		<b>MYOUNG 美阳</b> <a href="http://www.meiyangdz.com">www.meiyangdz.com</a>	
DECIMALS: X :±0.30 X.X :±0.25 X.XX :±0.20 X.XXX :±0.10	ANGLES: X :±1° X.X :±0.5°	DSND YangFeng	DATE 2019-05-24
WEIGHT:		CHKD ZhouRuicai	DATE 2019-05-24
SHEET 1 OF 1		APVD XueShunyong	DATE 2019-05-24
		SCALE:	SIZE: A4
		UNIT: mm	VIEW:
		REV.: A/0	OBJECT: MY
		TITLE: 7# 电池连接片正极 (5225)	
		PART NO.: MY-AAA-5225	
		DRAW NO.:WD-CP-0055	

1	TERMINAL	1	STEEL, T=0.5MM	Ni-PLATING
NO.	PART NAME	Q'TY	MATERIAL	PLATING & COLOR