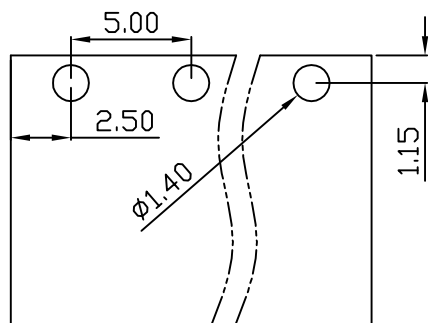
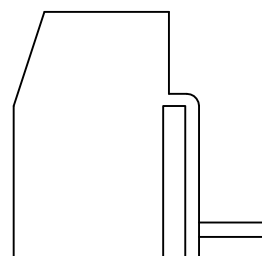
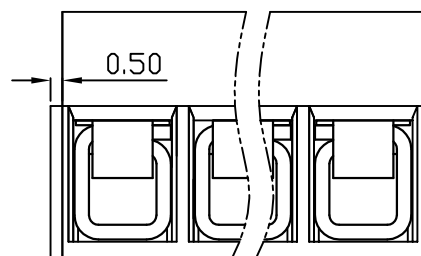
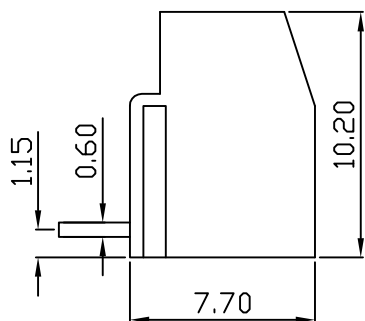
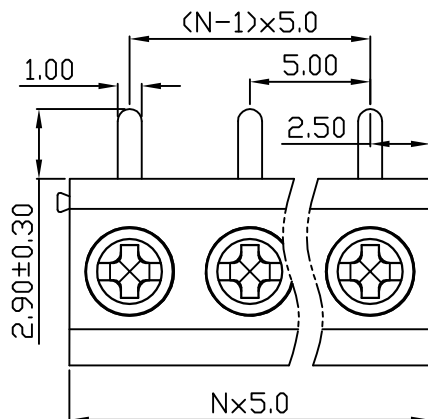


linear dimension(Tolerances Standard GB/T 14486-2008)								—	$\nabla$	$\perp$
variable range	to 6	over 6 to 10	over 10 to 30	over 30 to 60	over 60 to 100	over 100 to 160	over 160 to	to 10	over 10 to 100	over 100 to
tolerance	±0.20	±0.30	±0.50	±0.70	±1.00	±1.30	±1.60	0.10	0.30	0.60



PCB Layout



DB126R — 5.0 — XXP — C — S/P  
 (Series No.) (Pitch) (Poles) Slotted/Phillips

(Color):GN:(Green), BK:(Black), BU:(Blue), RD:(Red), GY:(Gray)  
 OG:(Orange), WT:(White), YL:(Yellow), CR:(Clear)

APPD: JTING Chen 2022.11.26  
 CHKD: Duck Mao 2022.11.26  
 DRFT: Steven Lu 2022.11.26

**DORABO** 宁波地博电气有限公司  
 Ningbo Dorabo Electric CO., Ltd

NAME: DB126R-5.0-XXP-C-P

$\oplus$	SIZE: A4	mm (inch)	REV	T0-1
TYPE: CUSTOMER_DRAWING		SCALE: 1:1	SHEET	1/1

UL/CUL 技术参数	UL/CUL Technical Data			cRUus				
等级	Use Group	B	C	D				
额定电压	Rated Voltage [V]	300	-	300				
额定电流	Rated Current [A]	8	-	8				
接线范围	Wire Range	26-14						
单/多芯线	Solid/Stranded [AWG]							
耐电压	Withstanding Voltage	1600V/1Min						
IEC 技术参数	IEC Technical Data					DE		
过电压类别	Overvoltage Category	III	III	II				
污染等级	Contamination Class	3	2	2				
额定电压	Rated Voltage [V]	250	400	630				
额定电流	Rated Current [A]	18	18	18				
额定冲击电压	Impulse withstand voltagea [KV]	4	4	4				
导线截面积	Conductor cross section	2.5						
硬质/柔性导线	Solid/flexible [mm <sup>2</sup> ]							
材料	Material							
绝缘材料	Insulation Material	PA66						
阻燃等级	Imflamability	UL94V-0						
导体材料	Contacto Material	铜合金 Copper alloy						
导体表面镀层	Contactive Coating	镀锡 Sn Plated						
一般参数	Other Data							
间距	Pitch [mm]	5.0						
极数	Poles [P]	02~24						
剥线长度	Stripping Length [mm]	6-7						
螺丝	Screw/扭矩 Torque(Max) [N.m]	M2.5/0.25						
工作温度	Operating temperatur [°C]	-40~+105						
引针尺寸	Pin Dimensions [mm]	0.60x1.00						
PCB板孔径	PCB Hole Diameter [mm]	1.40						