

1551953-1 ✓ ACTIVE



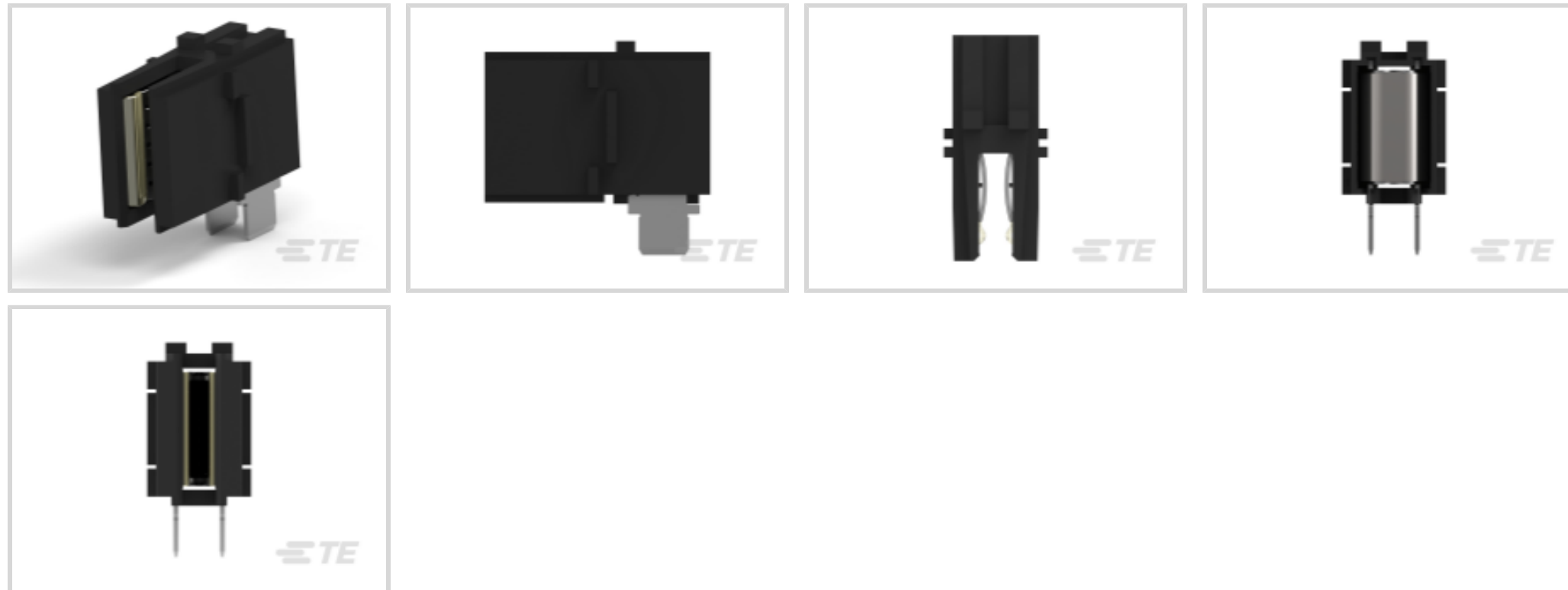
CROWN CLIP Junior

TE Internal #: 1551953-1

Board-to-Bus Bar, 2 Position, Bus Bar, Thermoplastic, Black, Box & Carton / Tray, Right Angle, Copper Alloy, CROWN CLIP Junior, Busbar Connectors

[View on TE.com >](#)

Connectors > Power Connectors > Busbar Connectors



Connector System: **Board-to-Bus Bar**

Number of Positions: **2**

Connector & Contact Terminates To: **Bus Bar**

Mating Conductor Thickness: **3 mm [.118 in]**

Housing Material: **Thermoplastic**

Features

Product Type Features

Connector & Housing Type	Receptacle
Connector System	Board-to-Bus Bar
Connector & Contact Terminates To	Bus Bar

Configuration Features

Number of Positions	2
PCB Mount Orientation	Right Angle
Mating & Unmating Configuration	Hot Pluggable

Electrical Characteristics

Operating Voltage	48 VDC
-------------------	--------

Body Features

Bus Bar Contact Plating Material	Tin
----------------------------------	-----

Contact Features

Contact Underplating Material	Nickel
-------------------------------	--------



Contact Underplating Material Thickness	1.27 μm [50 μin]
Contact Mating Area Plating Material Thickness	3 μm [118 μin]
Contact Shape & Form	Multiple Contact Point
Contact Base Material	Copper Alloy
Contact Current Rating (Max)	170 A
Contact Length	31.4 mm[1.23 in]
Bus Bar Contact Style	Socket

Termination Features

Termination Post & Tail Length	5.68 mm[.224 in]
Termination Method to PCB	Through Hole - Solder

Mechanical Attachment

Mating Alignment Type	Blindmate
Mating Alignment	With
Bus Bar Connector Mounting Retention	With
Connector Mounting Type	Board Mount

Housing Features

Housing Material	Thermoplastic
Housing Color	Black

Dimensions

Product Width	12 mm[.472 in]
Product Length	31.4 mm
PCB Thickness (Recommended)	1.5 – 2 mm[.06 – .079 in]
Connector Height	28.25 mm[1.112 in]

Usage Conditions

Operating Temperature Range	-55 – 105 $^{\circ}\text{C}$ [-67 – 221 $^{\circ}\text{F}$]
-----------------------------	--

Operation/Application

Circuit Application	Power
---------------------	-------

Industry Standards

Compatible With Agency/Standards Products	UL
---	----

Packaging Features

Packaging Method	Box & Carton, Tray
------------------	--------------------

Other



Mating Conductor Thickness	3 mm[.118 in]
----------------------------	---------------

Product Compliance

[For compliance documentation, visit the product page on TE.com>](#)

EU RoHS Directive 2011/65/EU	Compliant
EU ELV Directive 2000/53/EC	Compliant
China RoHS 2 Directive MIIT Order No 32, 2016	有害物质含量符合标准要求 No Restricted Substance(s) Above Threshold
EU REACH Regulation (EC) No. 1907/2006	Current ECHA Candidate List: JUNE 2025 (250) Candidate List Declared Against: JUNE 2025 (250) Does not contain REACH SVHC
Halogen Content	Not Low Halogen - contains Br or Cl > 900 ppm.
Solder Process Capability	Wave solder capable to 240°C

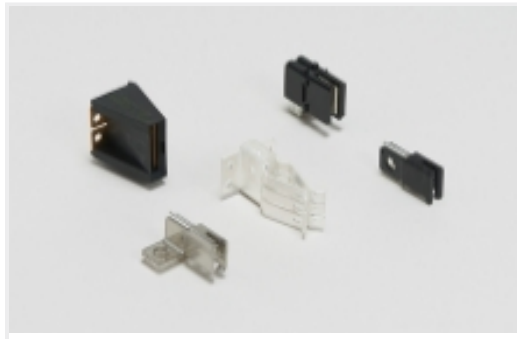
Product Compliance Disclaimer

This information is provided based on reasonable inquiry of our suppliers and represents our current actual knowledge based on the information they provided. This information is subject to change. The part numbers that TE has identified as EU RoHS compliant have a maximum concentration of 0.1% by weight in homogenous materials for lead, hexavalent chromium, mercury, PBB, PBDE, DBP, BBP, DEHP, DIBP, and 0.01% for cadmium, or qualify for an exemption to these limits as defined in the Annexes of Directive 2011/65/EU (RoHS2). Finished electrical and electronic equipment products will be CE marked as required by Directive 2011/65/EU. Components may not be CE marked. Additionally, the part numbers that TE has identified as EU ELV compliant have a maximum concentration of 0.1% by weight in homogenous materials for lead, hexavalent chromium, and mercury, and 0.01% for cadmium, or qualify for an exemption to these limits as defined in the Annexes of Directive 2000/53/EC (ELV). Regarding the REACH Regulation, the information TE provides on SVHC in articles for this part number is based on the latest European Chemicals Agency (ECHA) 'Guidance on requirements for substances in articles' posted at this URL: <https://echa.europa.eu/guidance-documents/guidance-on-reach>

Compatible Parts

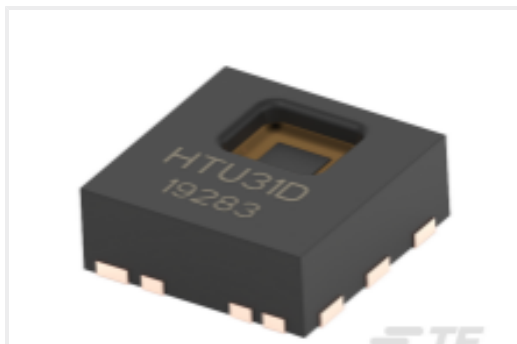


Also in the Series | CROWN CLIP Junior

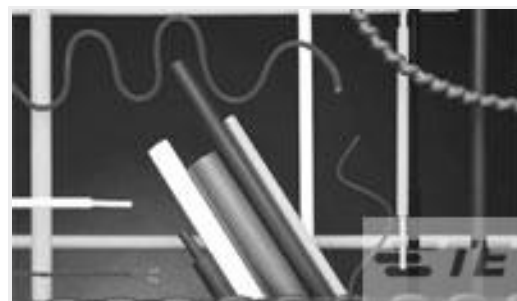


Busbar Connectors(2)

Customers Also Bought



TE Part #10142048-32
HTU31V I.C. 31V RH/T ANALOG R5000



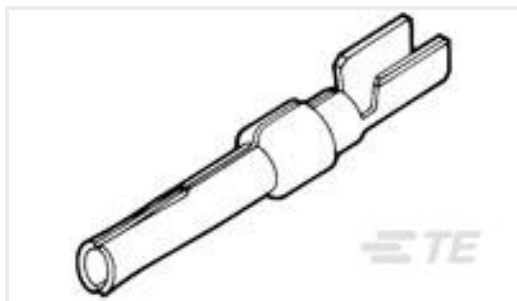
TE Part #6339874001
CGPT-12/4-0-SP



TE Part #35345
TERMINAL, PIDG R 12-10 1/4



TE Part #3-644893-4
04P CST100 SHRD HDR ASSY LF



TE Part #745230-2
20DF SOCKET CONTACT, PLATED



TE Part #794440-1
MINI UMNL PIN SN 22-18 AWG



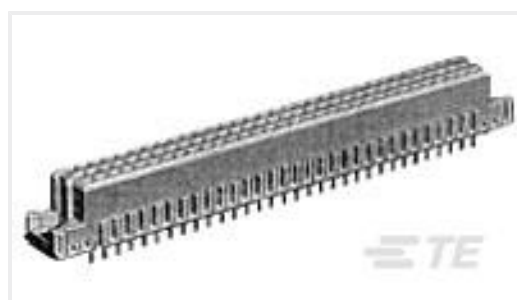
TE Part #2317656-9
AV25 SPM 3A MOVING RING BLUE 12V



TE Part #2317658-1
AV25 SPM 3A MOVING RING POWER WHITE 12V



TE Part #3-2319847-3
END STACK DIP 2P J RAISED T&R



TE Part #5650963-5
ASSY, RECEPTACLE, EUROCARD, TYPE

Documents

Product Drawings

[CCJ-Crown Clip Junior power connector](#)

English

CAD Files

[Customer View Model](#)

[ENG_CVM_CVM_1551953-1_A.2d_dxf.zip](#)

English

[3D PDF](#)



3D

Customer View Model

[ENG_CVM_CVM_1551953-1_A.3d_igs.zip](#)

English

Customer View Model

[ENG_CVM_CVM_1551953-1_A.3d_stp.zip](#)

English

By downloading the CAD file I accept and agree to the [Terms and Conditions](#) of use.

Datasheets & Catalog Pages

[Busbar Power Brochure](#)

English

Product Specifications

[Application Specification](#)

English

Agency Approvals

[UL Report](#)

English