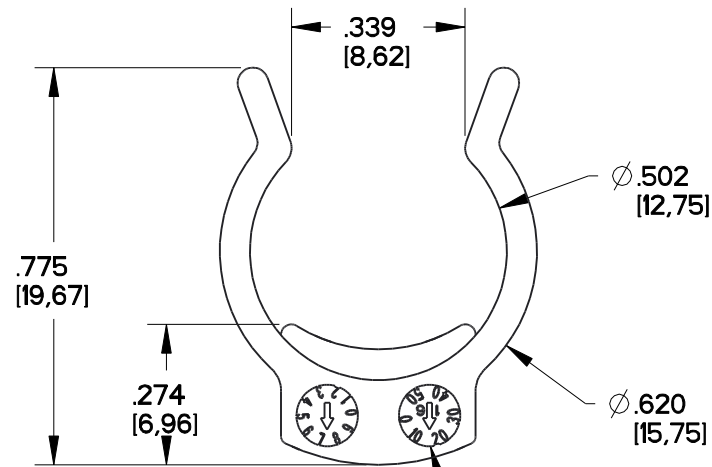
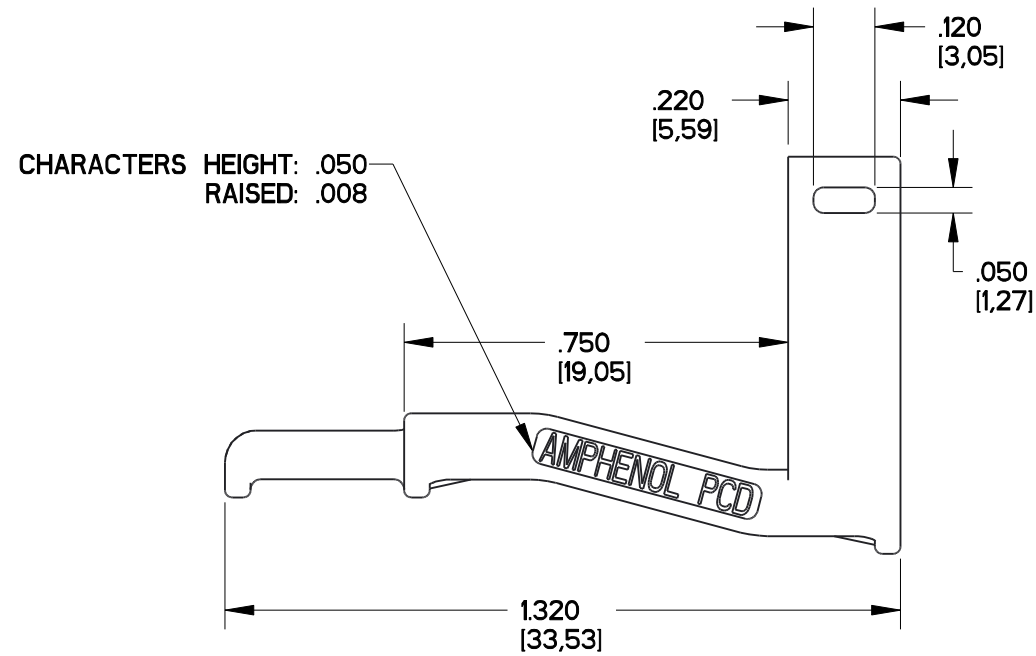
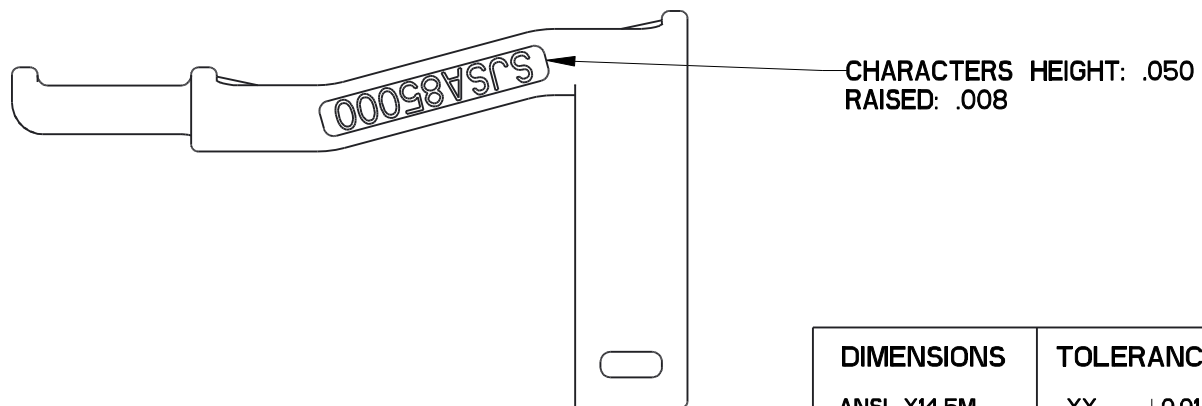
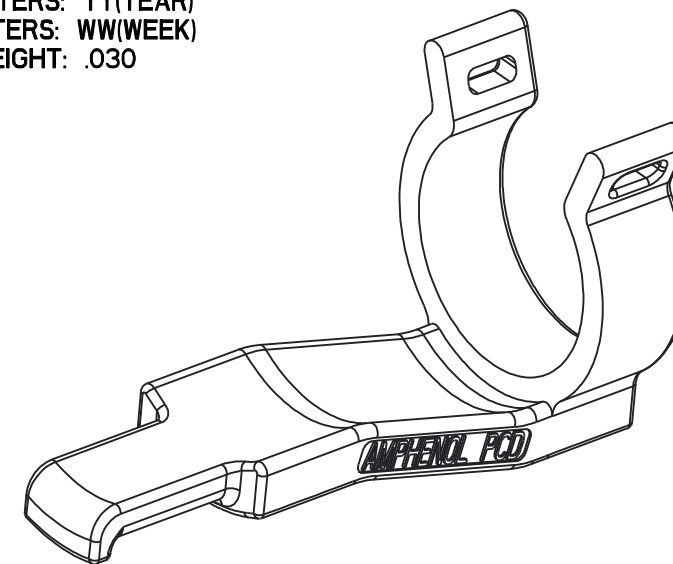
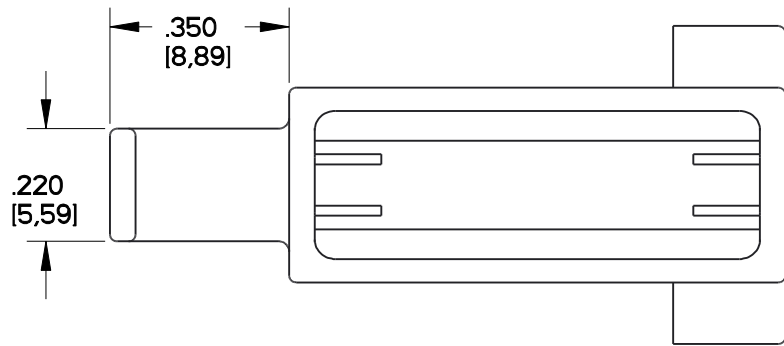


| REV | ECN | APP'D |
|-----|-----|-------|
| 1 | | |
| 2 | | |
| 3 | | |
| 4 | | |



DATE CODE
 ARROW CHARACTERS: YY(YEAR)
 OUTER CHARACTERS: WW(WEEK)
 CHARACTERS HEIGHT: .030
 RAISED: .008



NOTES:

1. MATERIAL: TORAY, CM3004 VO, COLOR: BLACK.
2. USED ON LUMINUS SHELL SIZE 8 CONNECTOR.
3. WEIGHT: 1.5 GRAMS.

| | | | | | | |
|---|--|-----------------------|--|-----------|---|-------------------------------|
| DIMENSIONS ANSI Y14.5M UNITS: INCHES Pro/E FILE | TOLERANCES .XX ±0.01 .XXX ±0.005 ANGLES ±1.0° | PROJECTION | Amphenol Pcd SPECIFICATION DRAWING | | TITLE SJS LUMINUS STRAIN RELIEF , 0° SHELL SIZE 8 | |
| | | | ENGR George.Long | Sep-02-15 | SIZE B | DWG NO. SJSA85000_C |
| ORIGINAL | THIS DOCUMENT CONTAINS PROPRIETARY INFORMATION WHICH IS THE CONFIDENTIAL PROPERTY OF AMPHENOL PCD INC., BEVERLY, MA | | CHKD | APPD | CODE: 58982 | SCALE: 8:3 |
| | | | | | SHEET 1 OF 1 | |