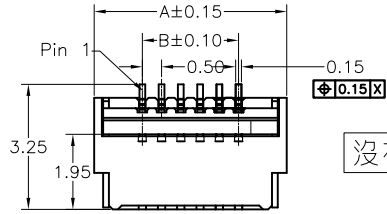
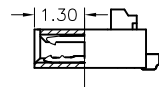


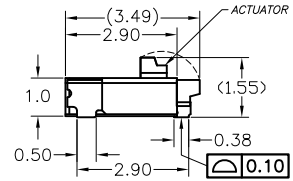
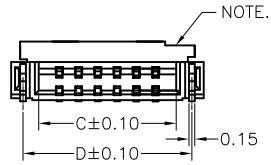
RoHS Compliant



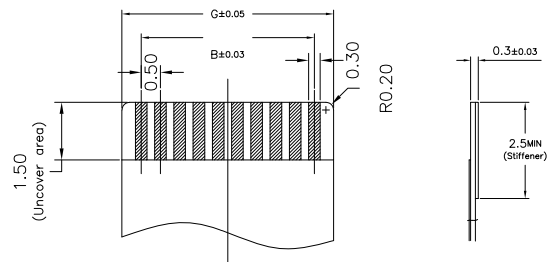
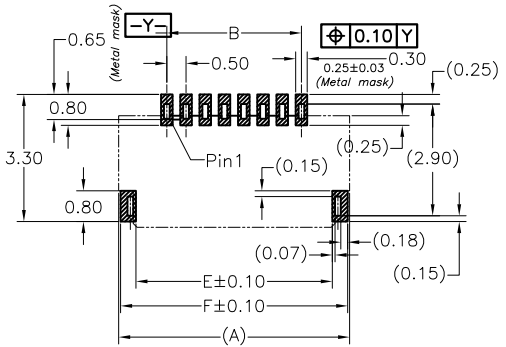
(排線插入深度)



沒有插入排線時,後蓋禁止下壓



No. of Contacts	DIM.A	DIM.B	DIM.C	DIM.D
04	4.00	1.50	2.57	3.39
06	5.00	2.50	3.57	4.39
08	6.00	3.50	4.57	5.39
10	7.00	4.50	5.57	6.39
12	8.00	5.50	6.57	7.39
14	9.00	6.50	7.57	8.39
16	10.00	7.50	8.57	9.39
18	11.00	8.50	9.57	10.39
20	12.00	9.50	10.57	11.39
22	13.00	10.50	11.57	12.39
24	14.00	11.50	12.57	13.39
26	15.00	12.50	13.57	14.39
28	16.00	13.50	14.57	15.39
30	17.00	14.50	15.57	16.39
32	18.00	15.50	16.57	17.39
34	19.00	16.50	17.57	18.39
36	20.00	17.50	18.57	19.39
38	21.00	18.50	19.57	20.39
40	22.00	19.50	20.57	21.39



Recommended FPC (排線厚度0.3mm)

Recommended PCB Layout (TOP View)  
Recommended metal mask thickness: t=0.1mm

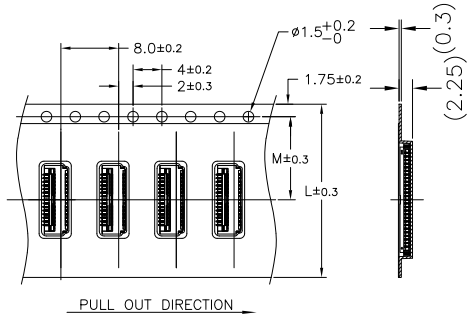
NOTES: MATERIAL & FINISH

- MATERIAL:  
HOUSING: LCP(UL 94V-0), COLOR:NATURAL  
ACTUATOR: LCP(UL 94V-0), COLOR:BLACK  
TERMINAL: PHOSPHOR BRONZE  
SOLDER PIN: PHOSPHOR BRONZE
  - PLATING:  
TERMINAL: CONTACT AREA GOLD FLASH OVER NICKEL  
SOLDER PIN: TIN OVER NICKEL (LEAD FREE)
- OPERATING VOLTAGE: 50Vrms AC  
CURRENT RATING: 0.5A  
OPERATING TEMPERATURE: -55°C ~ +85°C  
OPERATING HUMIDITY RANGE: RELATIVE HUMIDITY 90% MAX (NO CONDENSATION)  
STORAGE TEMPERATURE RANGE: -10°C ~ +50°C  
STORAGE HUMIDITY RANGE: RELATIVE HUMIDITY 90% MAX (NO CONDENSATION)

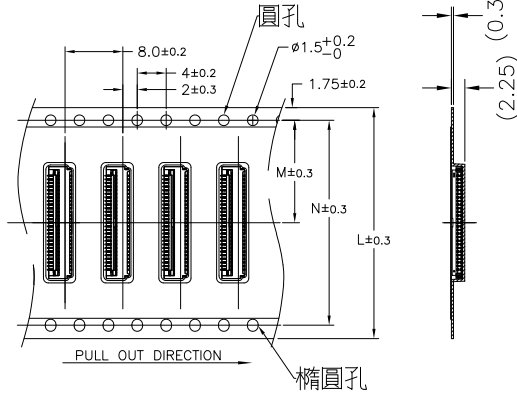
深圳市敏连达科技有限公司 Shenzhen Minlianda Technology Co.,Ltd.		品名 (ITEM NO)	0.5PH 1.0H 前插后压 FPC		
		料号 (PART NO)	MLD-FPC-05-XX-H10		
单位 (UNIT): MM	未注公差 TOLERANCE UNSPECIFIED	版次 (REV): A/0	页次 (PAGE): 1/1	设计 (DESIGN)	柯南
比例 (SCALE) 1:1	XX ± 0.38 XXX ± 0.20 XXXX ± 0.10 X' ± 5' X.X' ± 2'	模号 (MODEL NO)	审核 (CHECKED)		邱敏
		图号 (DWG NO)	MLD-2509031032	核准 (APPROVED)	陈镇

RoHS Compliant

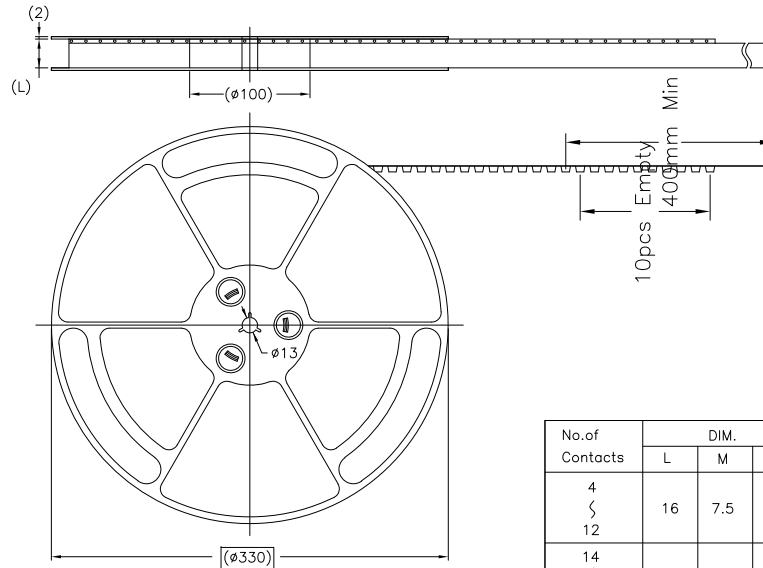
Tape width 16 and 24 mm



Tape width 32&44mm



REEL Dim



No. of Contacts	DIM.		
	L	M	N
4 ∩ 12	16	7.5	—
14 ∩ 28	24	11.5	—
30 ∩ 38	32	14.2	28.4
40 ∩ 50	44	20.2	40.4

- Notes:
- 1.PER REEL : 4000pcs.
  - 2.Material : Black Conductive Polystyrene Alloy.  
0.05mm.
  - 3.Thickness : 0.3±
  - 4.All dimensions meet EIA-481-C requirements.

深圳市敏连达科技有限公司 Shenzhen Minlianda Technology Co.,Ltd.		品名 (ITEM NO)		包装图	
		料号 (PART NO)			
单位 (UNIT): MM	未注公差 TOLERANCE UNSPECIFIED X.X ± 0.38 X.XX ± 0.20 X.XXX ± 0.10 X' ± 5' X.X' ± 2'	版次 (REV): A/0	页次 (PAGE): 1/1	设计 (DESIGN)	柯南
比例 (SCALE) 1:1		模号 (MODEL NO)		审核 (CHECKED)	邱敏
		图号 (DWG NO)	MLD-2509031032	核准 (APPROVED)	陈镇