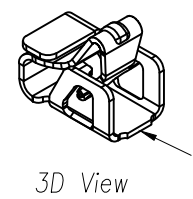
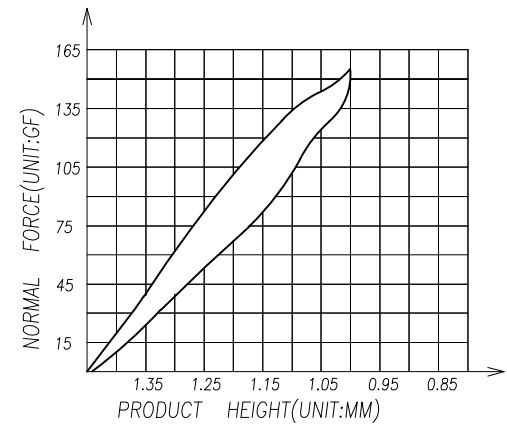
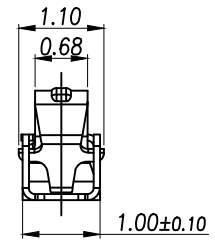
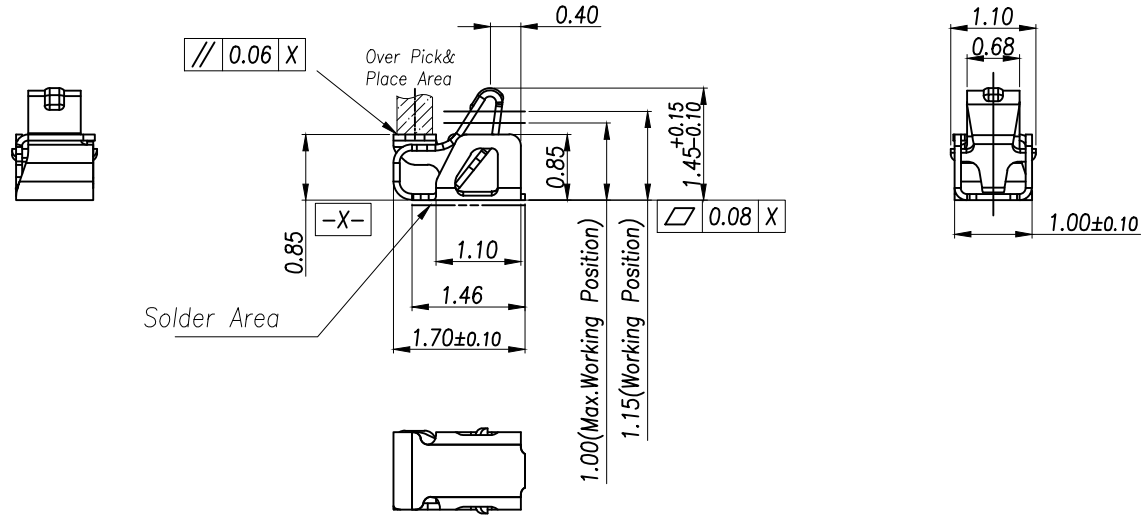


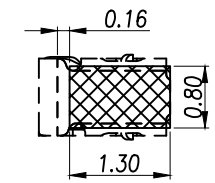
(For Reference Only)
Stated At Compression

NOTES:

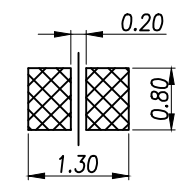
- 1:MATERIAL
1-1: SUS-301 THICKNE=0.08MM
- 2:SPECIFICATIONS
2-1: RATED CURRENT: 1.0A
2-2: VOLTAGE RATING: 1.5V
2-3: CONTACT RESISTANCE: 80mΩ/MAX
2-4: WELDING THRUST: ≥3KG
2-5: OPERATING TEMPERATURE: -40°C~+85°C
- 3:DURABILITY: 1500 CYCLES
- 4:SALT SPRAY TIME: 24H
- 5:ELECTROPLATE: THE NICKEL-PLATED SUBSTRATE IS 50u" MIN
- 6:REQUIREMENTS
6-1:TERMINAL TO EAT FULL TIN,NOTPEELING,
WELDING OBVIOUS COLOR AND OTHER ADVERSE
6-2:ROHS.REACH.HF HALOGER ADVERSE OF DOMESTIC
AND INTERNATIONAL ENVIRONMNTAL REQUIREMENTS



3D View

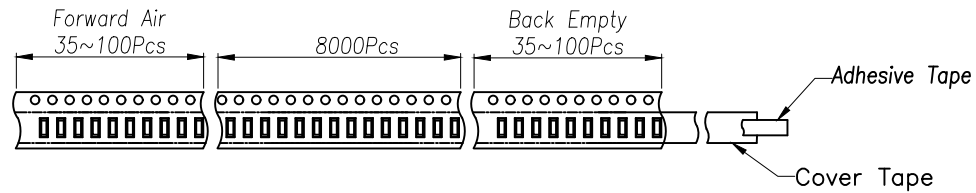
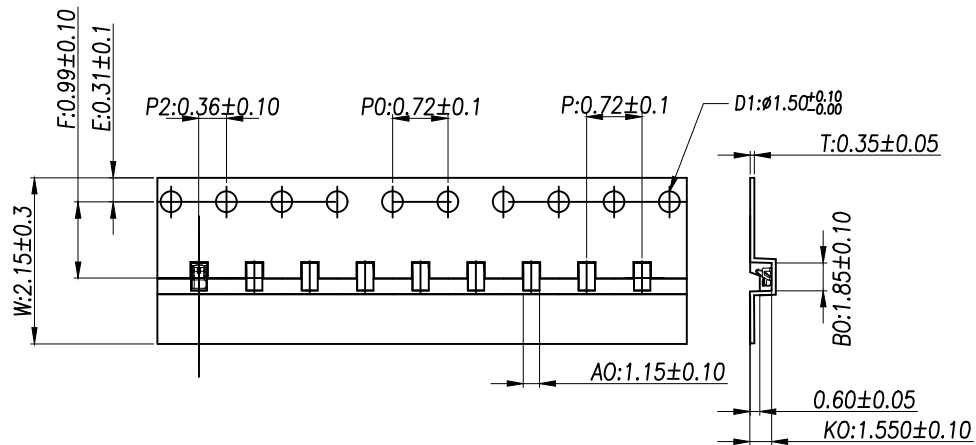


RECOMMENDED PCB LAYOUT
TOLERANCE:±0.05MM
(FOR REFERENCE ONLY)



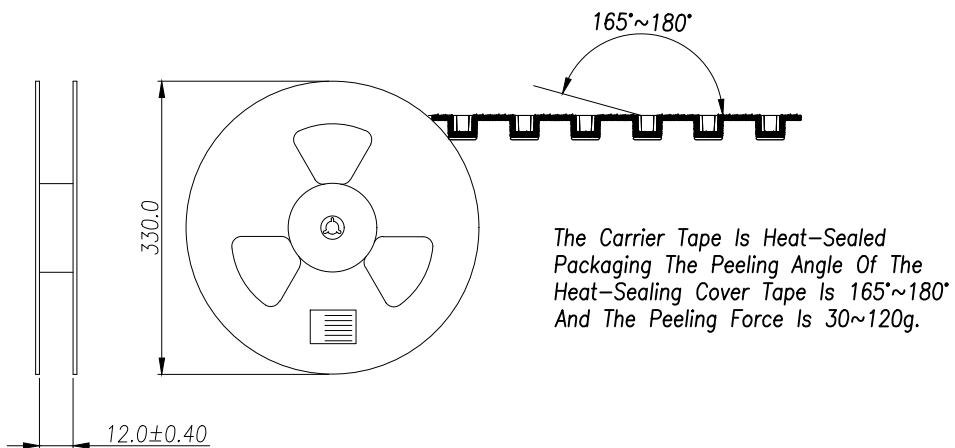
METAL MASK T=0.08
TOLERANCE:±0.05MM
(FOR REFERENCE ONLY)

GENERAL TOLERANCES (UNLESS SOECIFIED)	SCALE: 1:1 UNIT: MM			
	DRAWN BY LUDAH			TITLE: 天线弹片 L1.70*W1.00*H1.45
DISTANCE ANGLE .X ±0.30 X.* ±2.0° .X ±0.20 .X.* ±1.0° .XX ±0.15 .XX.* ±0.5°	CHEVCKED BY /	PART NO. TP-T1-1431	SCALE N:A	SHEET 1:2
	DRAFT WHERE APPLICABLE APPROVED BY MUST REMAIN WITHIN DIMENSIONS	LUJIAH		

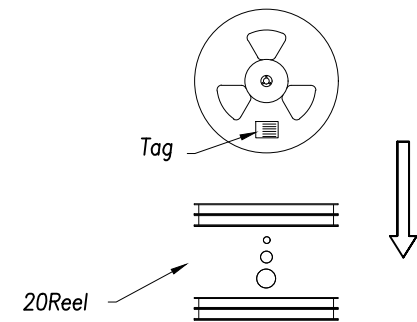


Customer To Use Direction

Pull Out Direction
(出料方向)

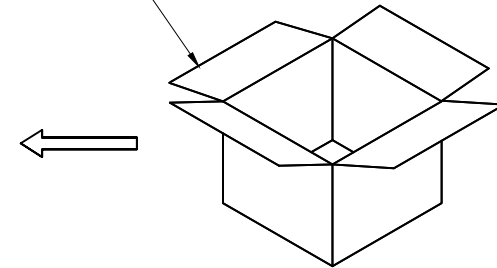
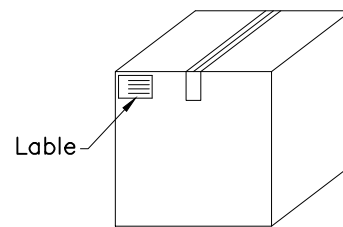



The Carrier Tape Is Heat-Sealed Packaging The Peeling Angle Of The Heat-Sealing Cover Tape Is 165°~180° And The Peeling Force Is 30~120g.



Carton Size
290*330*4 K3K

Carton Size
345*345*360 K=K



GENERAL TOLERANCES (UNLESS SOECIFIED)	SCALE: 1:1 UNIT: MM			
DISTANCE ANGLE X. ±0.30 X.* ±2.0° .X ±0.20 .X* ±1.0° .XX ±0.15 .XX* ±0.5°	DRAWN BY LUDAH			TITLE: 天线排片 L1.70*W1.00*H1.45
DRAFT WHERE APPLICABLE APPROVED BY MUST REMAIN WITHIN DIMENSIONS	CHEKVED BY /	PART NO. TP-T1-1431	SCALE N:A	SHEET 2:2
	LUJIAH			