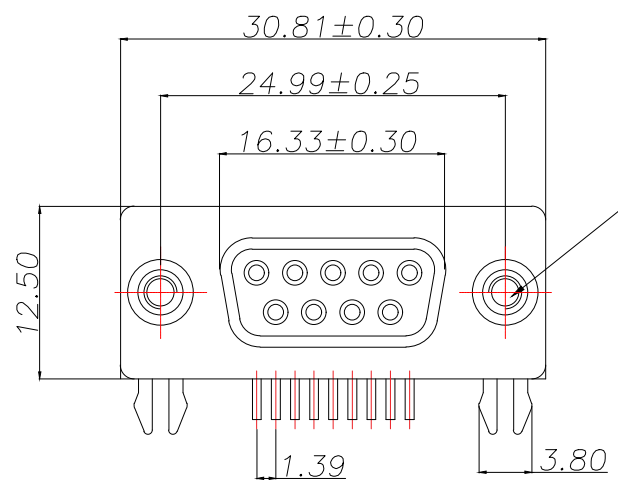


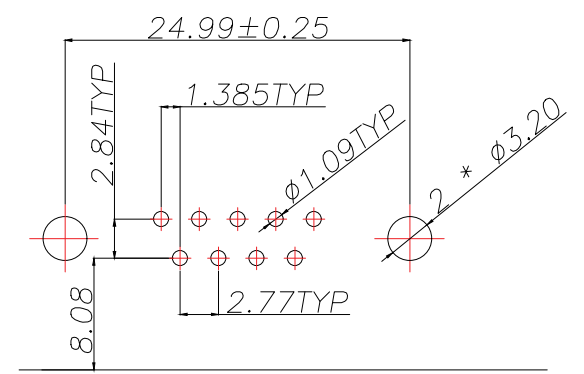
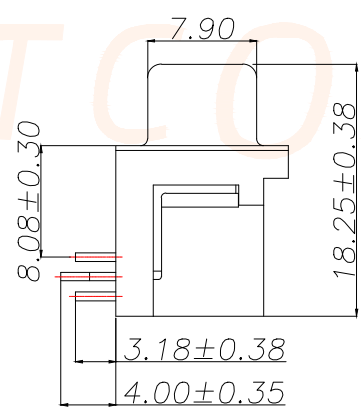
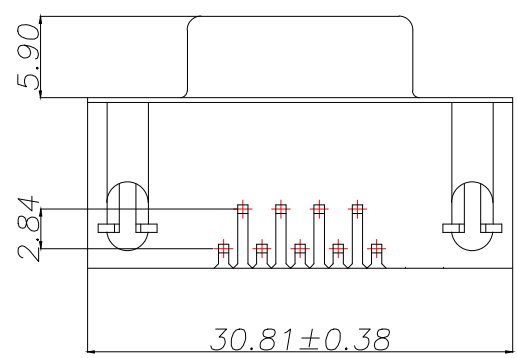


REV.	ECN NO.	DESCRIPTION	DATE	DESIGN



- , MATERIAL:
1. Insulator: PBT+30% Glass Fiber
 2. Contact: Brass
 3. Contact Plated: Gold Flash over Tin Or Glod Plated Or Tin Plated
 4. Shell: Steel, Nickel Plated
- =, SPECIFICATION:
1. Current Rating: 3 AMPS
 2. Insulation Resistance: 100MΩ MIN. At 500VDC
 3. Dielectric Strength: 500V for One minute
 4. Operation Temperature: -55° C ~ +105° C.

* 【胶芯颜色、防火要求、环保要求及电镀规格 依据客户实际订单要求为准】



RECOMMEND PCB LAYOUT (T=1.6)
PCB TOLERANCE: ±0.05

TOLERANCE		深圳聚兴泰电子科技有限公司 Shenzhen Juxingtai Electronic Technology Co., Ltd		
X.:±0.30	X':±5'	PART NO. ADR-0B3H-9P	TITLE: DR9F 铆合	
X.X:±0.25	X.X':±2'		MANUFACTURE DWG	
X.XX:±0.15	X.XX':±1'		DESIGN: Ethan	SCALE
UNITS	mm	CHED: Olvia	N:A	1/1
MATERILA	---	APPD: Ava		
FINISH	---			