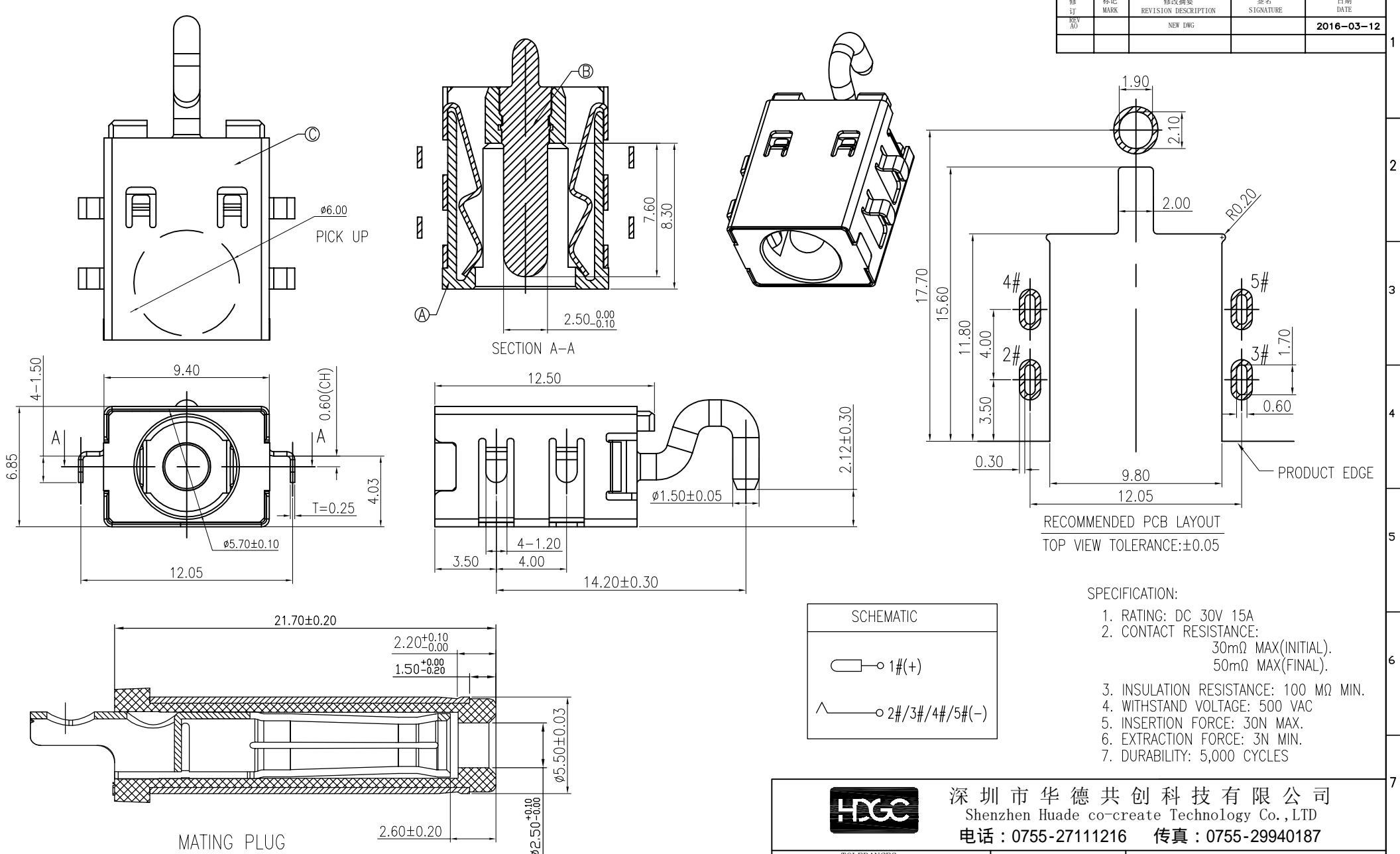



| 修 订 REV NO | 标 记 MARK | 修 改 描 要 REVISION DESCRIPTION | 签 名 SIGNATURE | 日 期 DATE |
|---------------------|----------------|---|---------------------|----------------|
| | | NEW DWG | | 2016-03-12 |



RECOMMENDED PCB LAYOUT
TOP VIEW TOLERANCE: ±0.05

- SPECIFICATION:
1. RATING: DC 30V 15A
 2. CONTACT RESISTANCE:
30mΩ MAX(INITIAL).
50mΩ MAX(FINAL).
 3. INSULATION RESISTANCE: 100 MΩ MIN.
 4. WITHSTAND VOLTAGE: 500 VAC
 5. INSERTION FORCE: 30N MAX.
 6. EXTRACTION FORCE: 3N MIN.
 7. DURABILITY: 5,000 CYCLES

MATING PLUG
DP550250-0188-6H



深圳市华德共创科技有限公司
Shenzhen Huade co-create Technology Co.,LTD
电话：0755-27111216 传真：0755-29940187

| -TOLERANCES- UNLESS OTHERWISE SPECIFIED 公差参数表 | | TITLE: DC Power Jack 5521 大电流15A, 卧 产品名称: 式, 高可靠 CL=0.6 | |
|---|-------|--|-----|
| X.X | ±0.30 | X.X* | ±3° |
| X.XX | ±0.20 | X.XX* | ±2° |
| X.XXX | ±0.10 | X.XXX* | ±1° |

| | | | |
|---------------|------------|-------------------|------------------|
| APPD: 核准: | 王建业 | PART NO: 产品编号: | DC550250-1151-2H |
| CHECK: 校对: | 黄艳兰 | DATE | SCALE |
| DRAW: 绘图: | 2016-03-12 | UNIT | CODE NUMBER |
| | 1:1 | mm | A001 |

| NO. | DESCRIPTION | MATERIAL | REMARKS | QTY |
|-----|-------------|----------|--------------------------|-----|
| C | SHELL | C5210 | Ni 40u" MIN. | 1 |
| B | CENTER PIN | BRASS | GOLD FLASH /Ni 40u" MIN. | 1 |
| A | HOUSING | PA10T | BLACK | 1 |