

184115-1 ✓ ACTIVE

AMP | Sealed Sensor Connector SSC System

TE Internal #: 184115-1

Housing for Female Terminals, Wire-to-Device / Wire-to-Wire / Wire-to-Board, 12 Position, Sealed Sensor Connector SSC System

[View on TE.com >](#)



Connectors > Automotive Connectors > Automotive Housings



Connector System: **Wire-to-Board, Wire-to-Device, Wire-to-Wire**

Number of Positions: **12**

Connector & Housing Type: **Housing for Female Terminals**

Centerline (Pitch): **4.8 mm [.189 in]**

Sealable: **Yes**

Features

Product Type Features

Mixed & Hybrid Connector	No
Connector Shape	Rectangular
Connector System	Wire-to-Board, Wire-to-Device, Wire-to-Wire
Connector & Housing Type	Housing for Female Terminals
Sealable	Yes
Primary Locking Feature	Integrated in Housing

Configuration Features

Number of Positions	12
Number of Rows	2

Electrical Characteristics

Operating Voltage	125 VAC
Nominal Voltage Architecture	12 V, 24 V, 42 V, 48 V, 80 V, 90 V, 125 V

Body Features

Cable Exit Angle	180°
Primary Product Color	Black

Contact Features

Contact Size	1.8mm
--------------	-------

Mechanical Attachment



Terminal Position Assurance	No
Strain Relief	Without
Mating Alignment Type	Polarization Slot
Mating Alignment	With
Connector Mounting Type	Cable Mount (Free-Hanging)

Housing Features

Housing Material	PA GF
Centerline (Pitch)	4.8 mm[.189 in]

Dimensions

Connector Height	27.6 mm[1.09 in]
Product Width	30.6 mm[1.205 in]
Product Length	40.8 mm[1.61 in]

Usage Conditions

Operating Temperature (Max)	70 °C, 75 °C, 80 °C, 85 °C, 90 °C, 100 °C, 105 °C, 110 °C, 120 °C, 125 °C, 130 °C, 140 °C, 145 °C, 150 °C[158 °F][167 °F][176 °F][185 °F][194 °F][212 °F][221 °F][230 °F][248 °F][257 °F][266 °F][284 °F][293 °F][302 °F]
Operating Temperature Range	-40 – 150 °C[-40 – 302 °F]

Industry Standards

UL Flammability Rating	UL 94HB
------------------------	---------

Packaging Features

Packaging Quantity	600
Packaging Method	Package

Other

Serviceable	Yes
Connector Position Assurance Capable	No

Product Compliance

[For compliance documentation, visit the product page on TE.com>](#)

EU RoHS Directive 2011/65/EU	Compliant
EU ELV Directive 2000/53/EC	Compliant
China RoHS 2 Directive MIIT Order No 32, 2016	No Restricted Materials Above Threshold

EU REACH Regulation (EC) No. 1907/2006

Current ECHA Candidate List: JUNE 2023 (235)

Candidate List Declared Against: JAN 2023 (233)

Does not contain REACH SVHC

Halogen Content

Low Halogen - Br, Cl, F, I < 900 ppm per homogenous material. Also BFR/CFR/PVC Free

Solder Process Capability

Not applicable for solder process capability

Product Compliance Disclaimer

This information is provided based on reasonable inquiry of our suppliers and represents our current actual knowledge based on the information they provided. This information is subject to change. The part numbers that TE has identified as EU RoHS compliant have a maximum concentration of 0.1% by weight in homogenous materials for lead, hexavalent chromium, mercury, PBB, PBDE, DBP, BBP, DEHP, DIBP, and 0.01% for cadmium, or qualify for an exemption to these limits as defined in the Annexes of Directive 2011/65/EU (RoHS2). Finished electrical and electronic equipment products will be CE marked as required by Directive 2011/65/EU. Components may not be CE marked. Additionally, the part numbers that TE has identified as EU ELV compliant have a maximum concentration of 0.1% by weight in homogenous materials for lead, hexavalent chromium, and mercury, and 0.01% for cadmium, or qualify for an exemption to these limits as defined in the Annexes of Directive 2000/53/EC (ELV). Regarding the REACH Regulation, the information TE provides on SVHC in articles for this part number is based on the latest European Chemicals Agency (ECHA) 'Guidance on requirements for substances in articles' posted at this URL: <https://echa.europa.eu/guidance-documents/guidance-on-reach>

Compatible Parts



TE Part # 184141-1
WIRE SEAL,RUBBER,SENSOR,PURPLE, LIM



TE Part # 184140-1
WIRE SEAL,RUBBER,SENSOR, ORANGE



TE Part # 184030-3
RECPT, CONTACT 070, PTPPHBZ



TE Part # 184030-1
RECPT, CONTACT 070, AUPHBZ



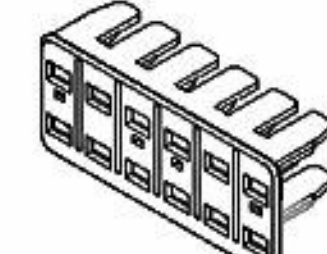
TE Part # 184095-1
RECPT, CONTACT .070, AUPHBZ



TE Part # 184095-2
RECPT, CONTACT .070, PTPPHBZ



TE Part # 184139-1
WIRE SEAL,RUBBER,SENSOR,BLUE



TE Part # 184058-1
12 POS. PLUG DLP



TE Part # 184373-2
CONTACT, RECEPTACLE, .070 TYPE



TE Part # 184097-1
12 POS. PLUG ASSY



TE Part # 184099-1
12 POS. PLUG ASSY



TE Part # 184291-1
12 POS. PLUG ASSY

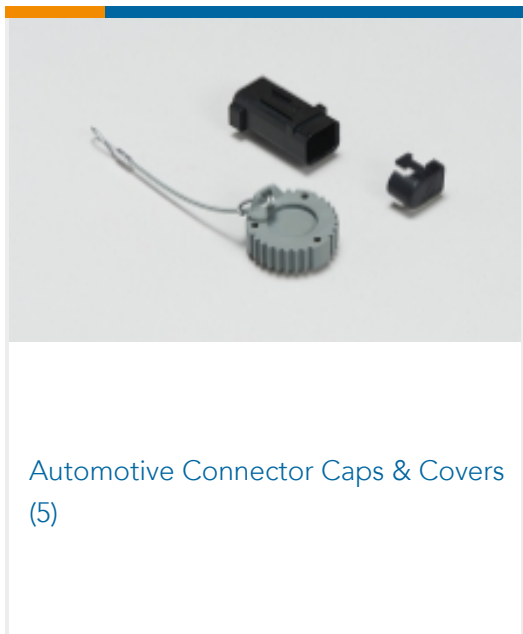


TE Part # 184373-1
CONTACT, RECEPTACLE, .070 TYPE

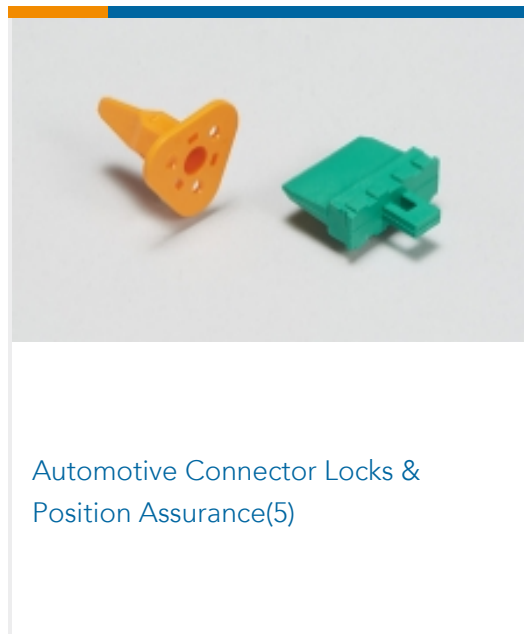


TE Part # 184455-1
ASSY,SSC,2X6 PLUG,C3,KEY A,1-9-11
BLKD

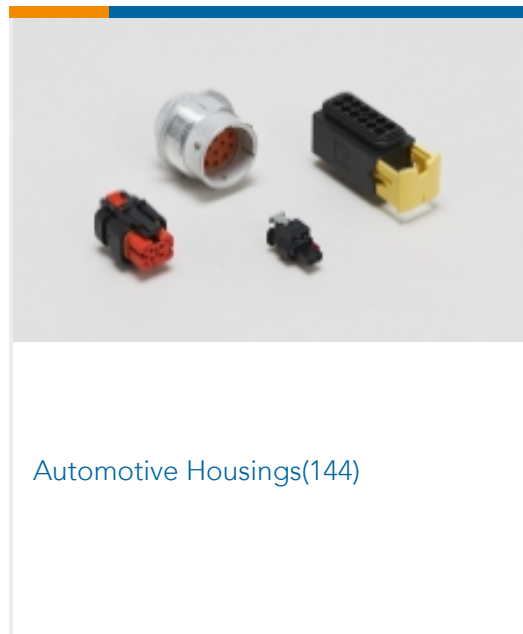
Also in the Series | Sealed Sensor Connector SSC System



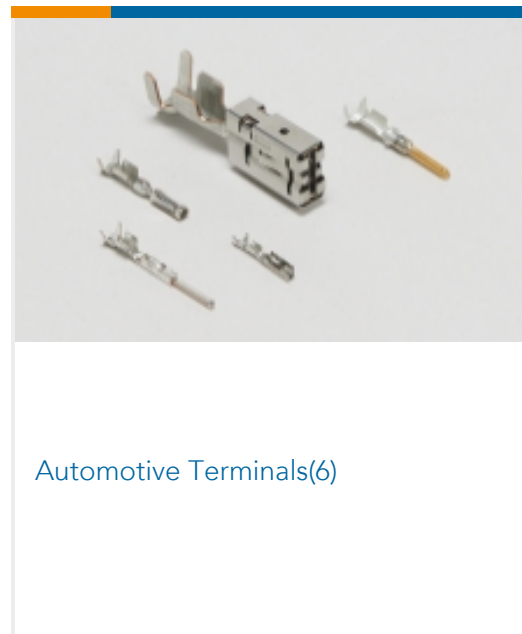
Automotive Connector Caps & Covers
(5)



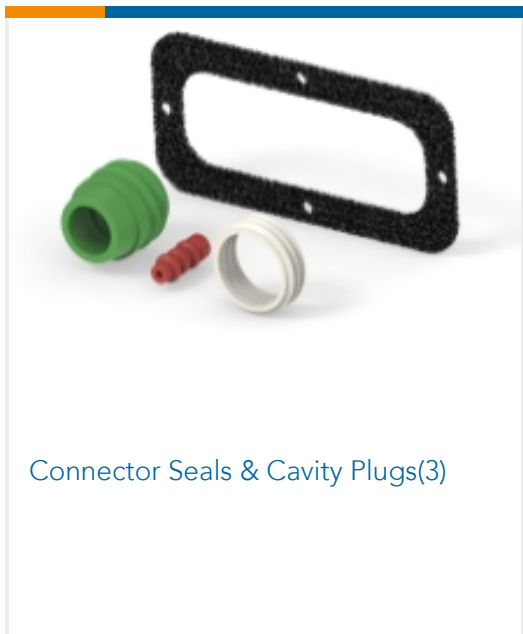
Automotive Connector Locks &
Position Assurance(5)



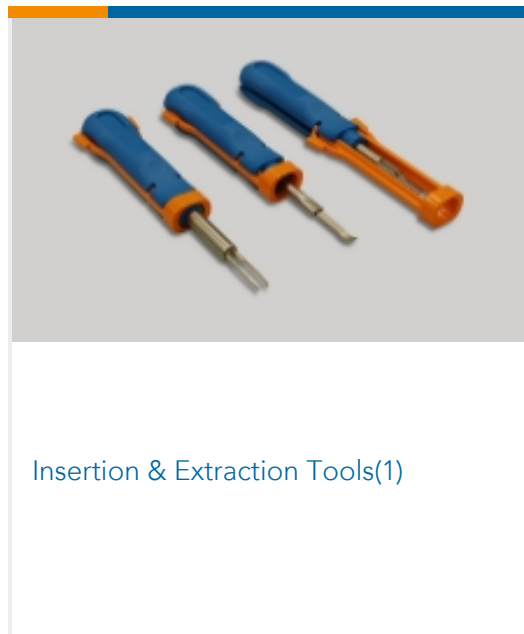
Automotive Housings(144)



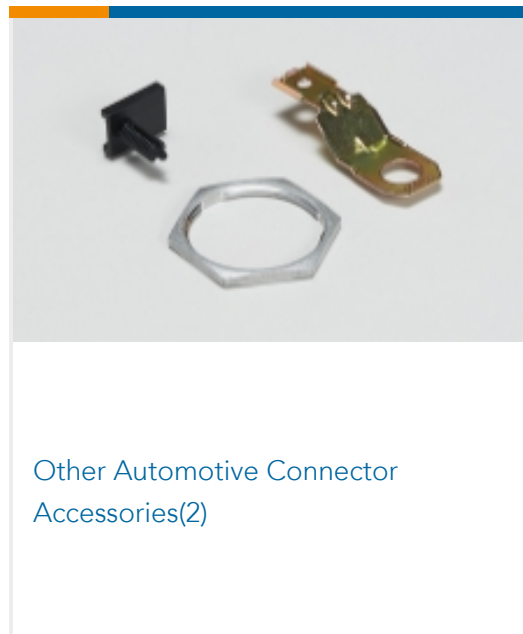
Automotive Terminals(6)



Connector Seals & Cavity Plugs(3)



Insertion & Extraction Tools(1)

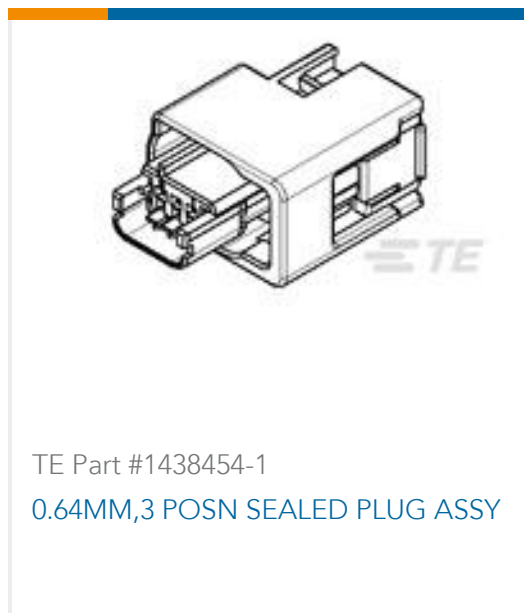


Other Automotive Connector
Accessories(2)

Customers Also Bought



TE Part #NB17224001
RNF-150-1-0-SP



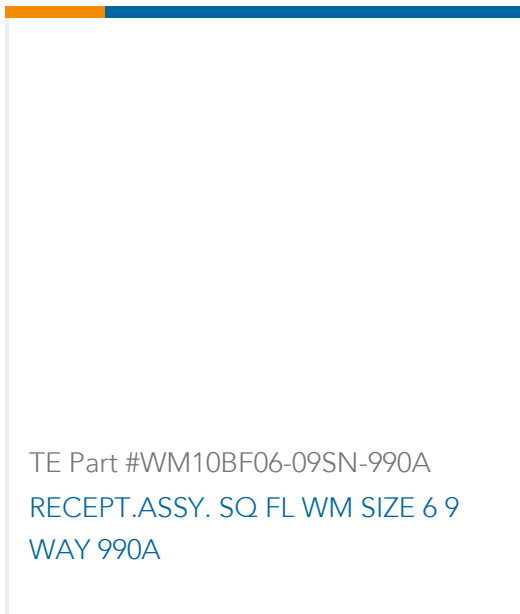
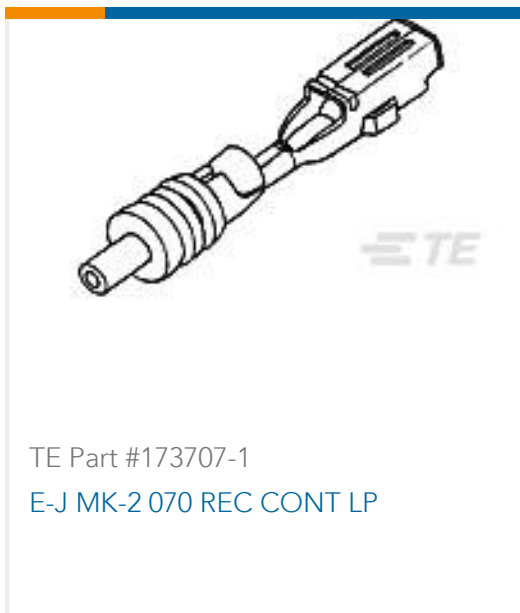
TE Part #1438454-1
0.64MM,3 POSN SEALED PLUG ASSY



TE Part #HDP26-24-9PE-L017
PLG, 9P, BLK, E, RNG, 4/8/12, P



TE Part #HD34-24-21SE
REC, 21P, AL, E, 12/16, S



Documents

Product Drawings

[12 POS. PLUG ASSY](#)

English

[12 POS. PLUG ASSY](#)

English

CAD Files

[3D PDF](#)

English

Customer View Model

[ENG_CVM_184115-1_D.2d_dxf.zip](#)

English

Customer View Model

[ENG_CVM_184115-1_D.3d_igs.zip](#)

English

Customer View Model

[ENG_CVM_184115-1_D.3d_stp.zip](#)

English

By downloading the CAD file I accept and agree to the [Terms and Conditions](#) of use.

Product Specifications

[Application Specification](#)

English