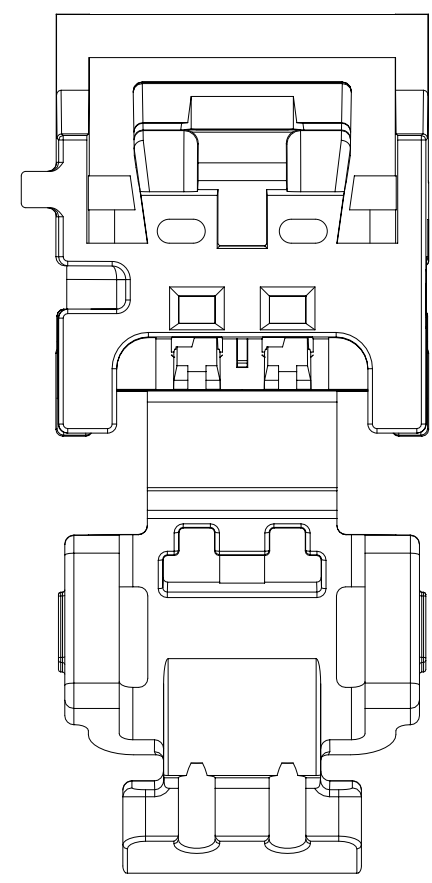
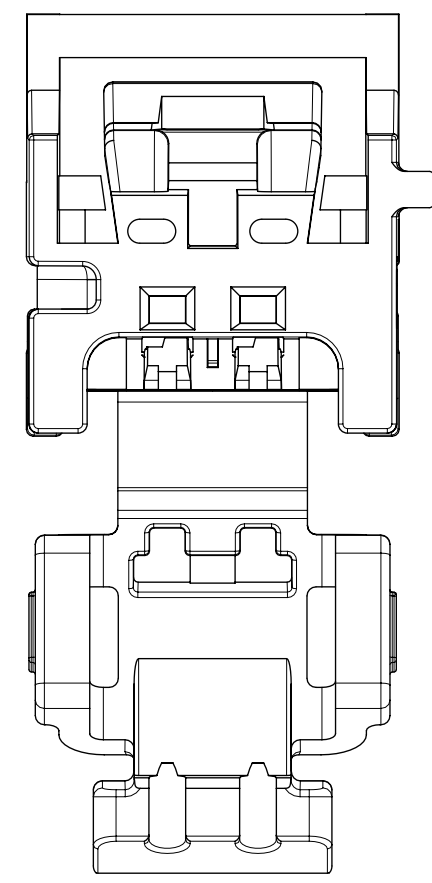


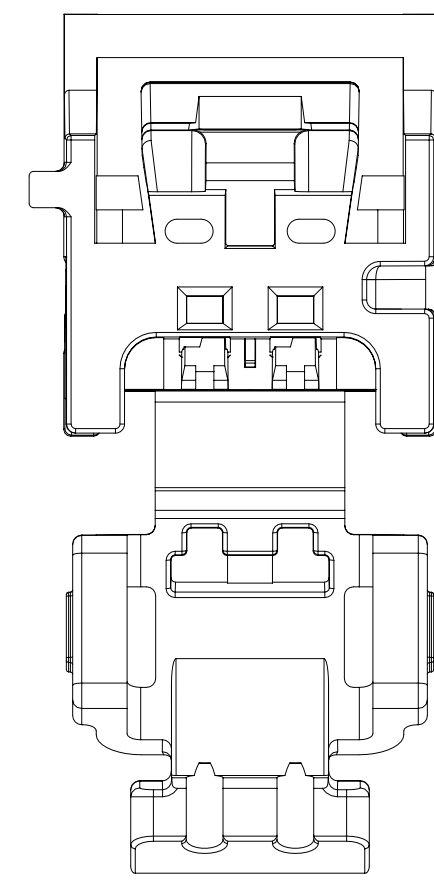
2 CIRCUIT RECEPTACLE BRIDGED
POLARIZATION OPTION A



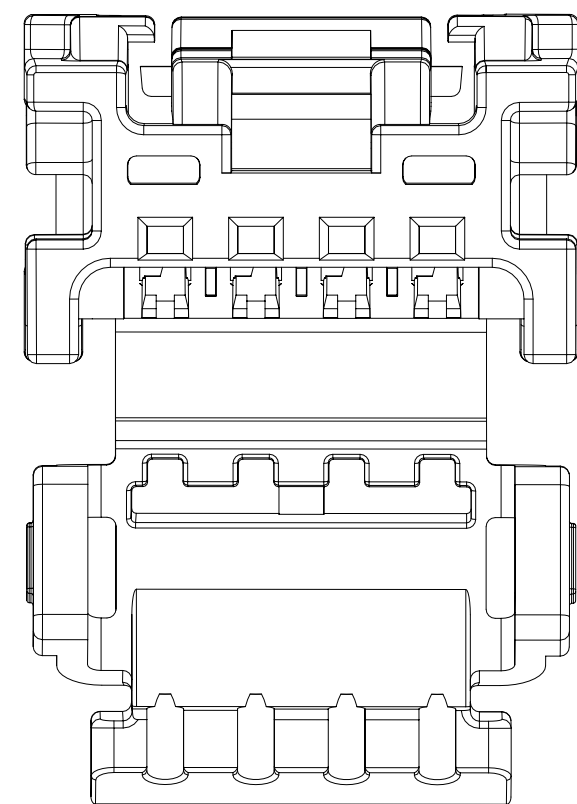
2 CIRCUIT RECEPTACLE BRIDGED
POLARIZATION OPTION B



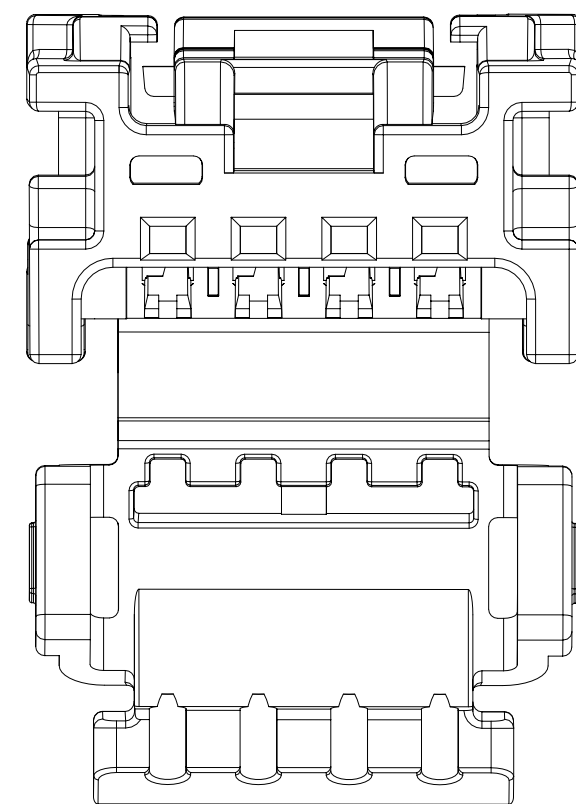
2 CIRCUIT RECEPTACLE BRIDGED
POLARIZATION OPTION C



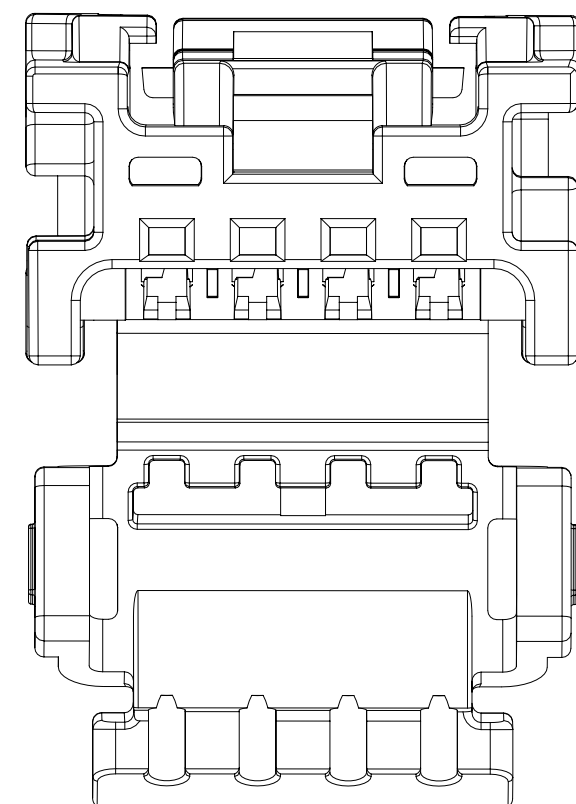
2 CIRCUIT RECEPTACLE BRIDGED
POLARIZATION OPTION D



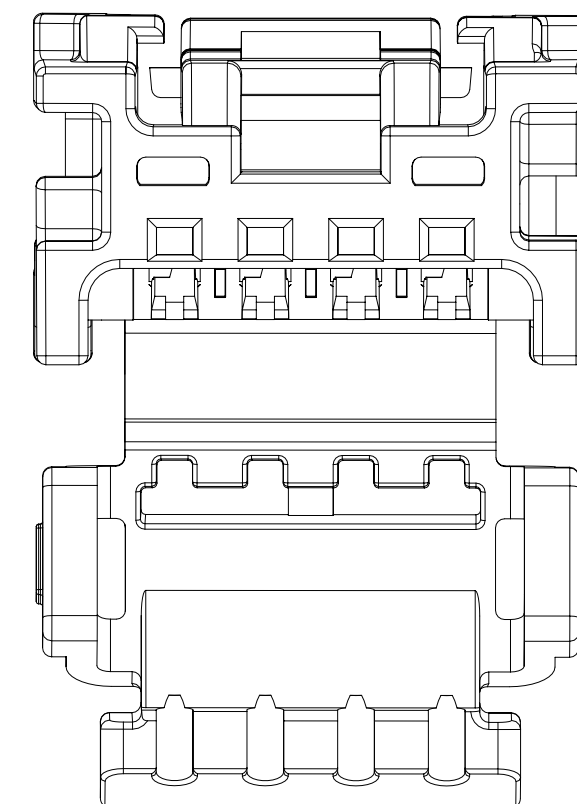
4 CIRCUIT RECEPTACLE NO BRIDGE
POLARIZATION OPTION A



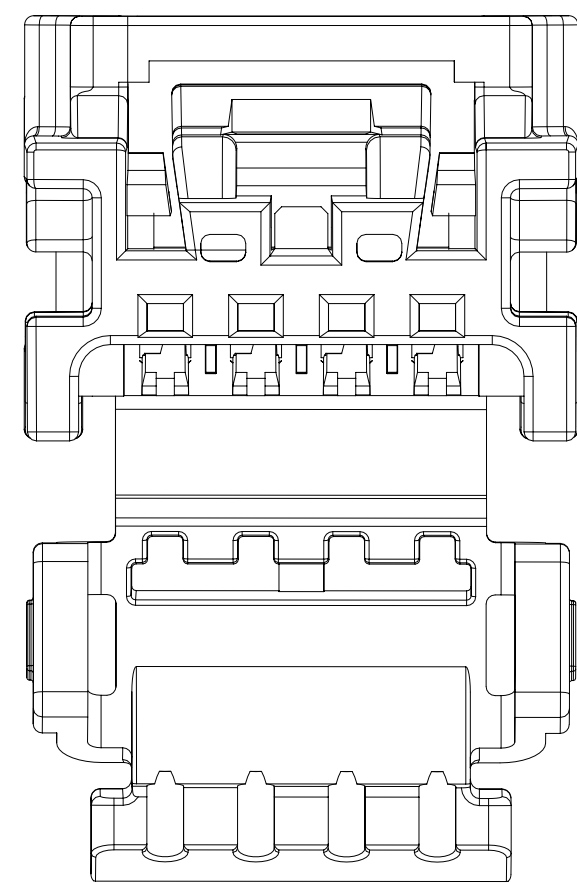
4 CIRCUIT RECEPTACLE NO BRIDGE
POLARIZATION OPTION B



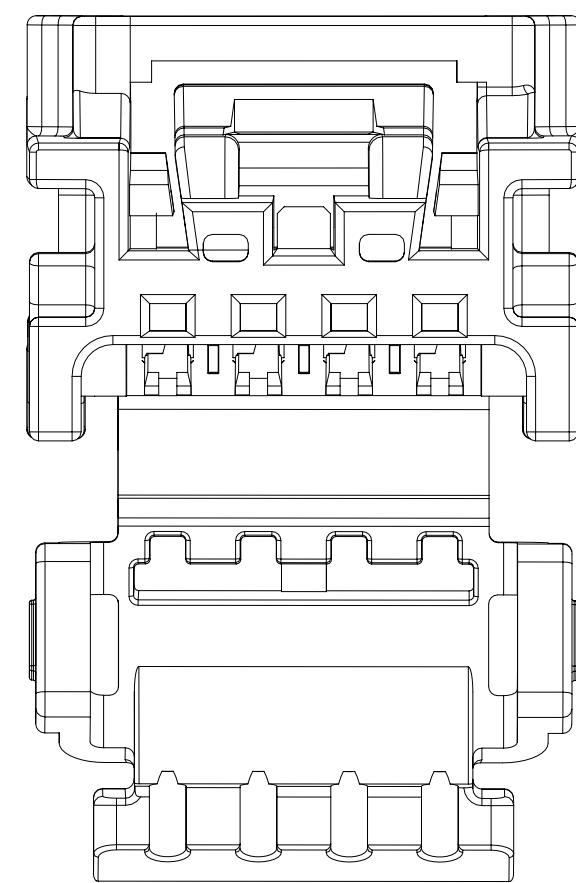
4 CIRCUIT RECEPTACLE NO BRIDGE
POLARIZATION OPTION C



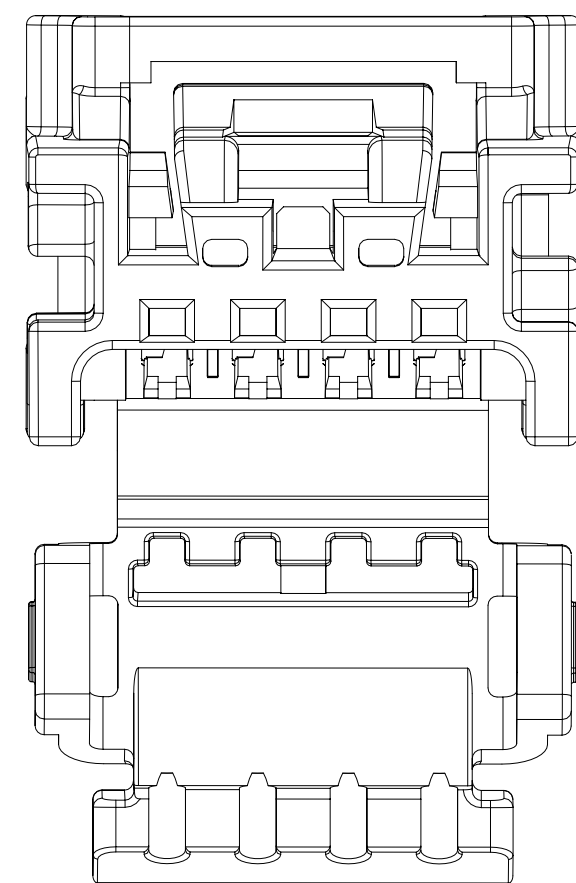
4 CIRCUIT RECEPTACLE NO BRIDGE
POLARIZATION OPTION D



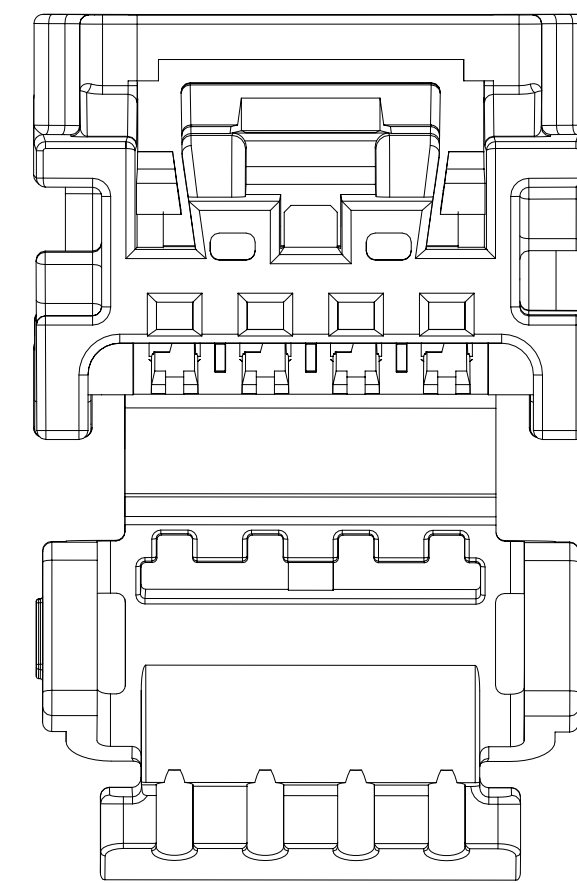
4 CIRCUIT RECEPTACLE BRIDGED
POLARIZATION OPTION A



4 CIRCUIT RECEPTACLE BRIDGED
POLARIZATION OPTION B



4 CIRCUIT RECEPTACLE BRIDGED
POLARIZATION OPTION C



4 CIRCUIT RECEPTACLE BRIDGED
POLARIZATION OPTION D

NOTES: VALID UNLESS OTHERWISE SPECIFIED

- 1. GENERAL:
 - a. APPLICATION SPECIFICATION SEE: AS-34791-020
 - b. PRODUCT SPECIFICATION SEE: PS-34971-020
 - c. PACKAGING SPECIFICATION PER MOLEX DRAWING: PK-31301-538
 - d. PARTS MUST BE IN COMPLIANCE TO MOLEX CHEMICAL SUBSTANCES FOR PRODUCTS AND PACKAGING SPECIFICATION: QEHS-699000-301
 - e. DATA MUST BE SUBMITTED UNDER THE MOLEX PART NUMBER TO IMDS (COMPANY ID#13255)
 - f. FLAMMABILITY REQUIREMENT: PER ISO3795 OR GM3191
 - 1. BURN RATE 100 mm/MIN MAXIMUM
 - 2. MATERIAL MUST BE SELF EXTINGUISHING
 - g. VISUAL DEFECTS SHALL MEET COSMETIC STANDARD PS-45499-002 (Class B)
 - h. FOR TERMINAL USAGE, REFER TO MOLEX SALES DRAWING SD-560023-002 (PLAN OBSOLESCENCE IN 2024) AND 5600230800.

- 2. DESIGN - MATERIALS:
 - a. MATERIAL: UNFILLED PBT

- 3. DESIGN - GEOMETRY:
 - a. THIS IS A 100% CAD GENERATED PART. THE CAD MATHEMATICAL DATA IS THE MASTER FOR THIS PART. FOR DIMENSIONAL OR ANY INFORMATION NOT SHOWN ON THIS DRAWING, ANALYZE THE CAD MODEL.
 - b. GEOMETRIC DIMENSIONS AND TOLERANCES PER ASME Y14.5M - 1994
 - c. GENERAL TOLERANCES:
 - LINEAR: PER DIN 16901 CODE B FOR PRECISION ENGINEERING
 - ANGULAR: $\pm 3^\circ$
 - d. EDGES AND UNDIMENSIONED DETAILS PER ISO13715
 - e. CORNERS SHOWN AS SHARP TO BE R 0.2 MAX
 - f. LETTERING SHALL BE 0.1 MAX RAISED IN 0.15 MAX RECESS PAD AND NOT PROTRUDE THE SURFACE. THIS INCLUDES RECYCLING CODE, PLANT AND CAVITY ID, VENDOR ID, CIRCUIT ID, AND PART SERIES NUMBER.

- 4. DESIGN - FUNCTIONALITY
 - a. HINGE DOES NOT AFFECT FUNCTION OF THE PART.

| | |
|-----|--|
| L8 | SHEET 1: ADDED TERMINAL SD-DRAWING 5600230800 IN NOTES 1-H SHEET 4: UPDATED CTX50 UNSEALED RCPT TERMINAL PART NUMBER AND STATUS |
| L7 | MODELS UPDATED, NO GEOMETRY CHANGE SHEET 4: UPDATED SMALL TERMINAL PN ON TERMINAL BOM SHEET 4: ADDED TAPE AND REEL MATING PNs TO BOM |
| L3 | DRAWING REMASTERED SHEET 3: ADDED DIM A FOR PASS THRU SHEET 4: ADDED DIM A TO BOM |
| L2 | NX REMASTERING |
| REV | DESCRIPTION |

| | | |
|--|---|--------------------------|
| FUNCTIONAL SYMBOLS | THIS DRAWING CONTAINS INFORMATION THAT IS PROPRIETARY TO MOLEX ELECTRONIC TECHNOLOGIES, LLC AND SHOULD NOT BE USED WITHOUT WRITTEN PERMISSION | |
| | DIMENSION UNITS | SCALE |
| $F_A = 0$ | MM | 6:1 |
| $F_C = 0$ | GENERAL TOLERANCES (UNLESS SPECIFIED) | |
| $F_D = 0$ | ANGULAR TOL $\pm 0.5^\circ$ | |
| DIVISIONAL SYMBOLS | 4 PLACES | \pm |
| | 3 PLACES | \pm |
| | 2 PLACES | \pm |
| | 1 PLACE | \pm |
| | 0 PLACES | \pm |
| DRAFT WHERE APPLICABLE MUST REMAIN WITHIN DIMENSIONS | | THIRD ANGLE PROJECTION |
| | | DRAWING SERIES |
| | | D-SIZE 34791 |
| | | MATERIAL NUMBER CUSTOMER |
| | | GENERAL MARKET |
| | | SHEET NUMBER |
| | | 1 OF 4 |

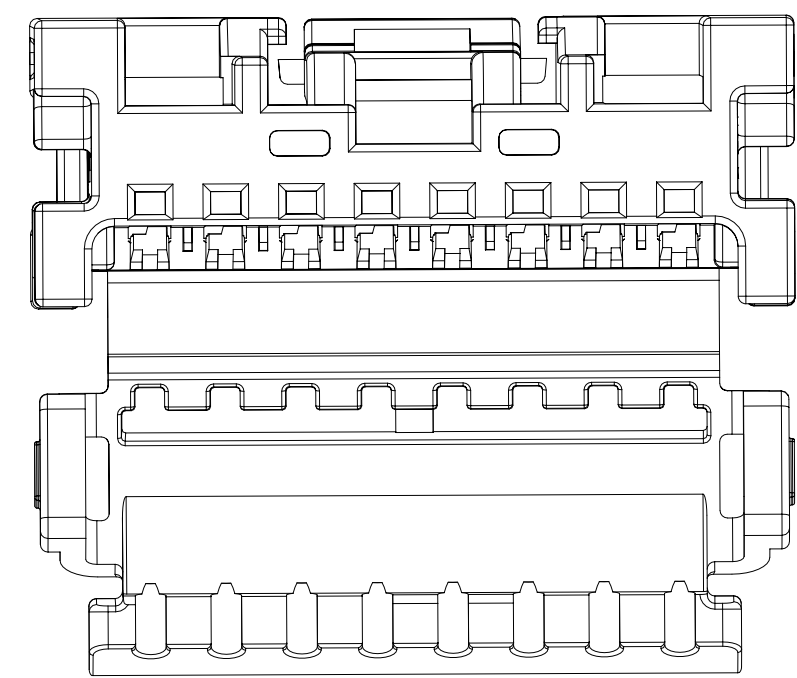
| | |
|------------------------------|--|
| INSPECTION BALLON NUMBER LOG | |
| PER DRAWING REVISION: L8 | |
| LAST BALLON USED: 16 | |
| ADDED BALLON NUMBERS: | |
| REMOVED BALLON NUMBERS: | |

molex

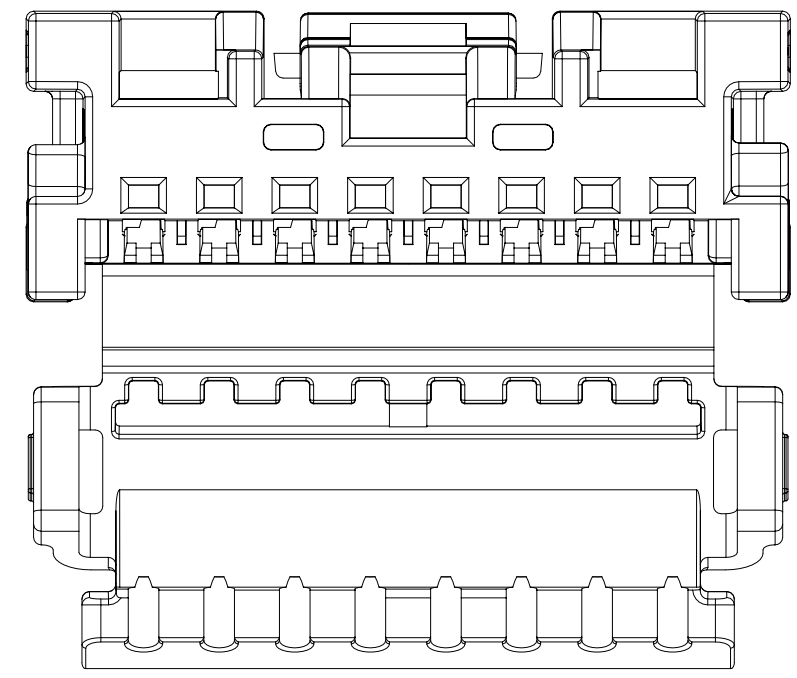
MINI50 SINGLE ROW RECEPTACLE SALES DWG

PRODUCT SALES DRAWING

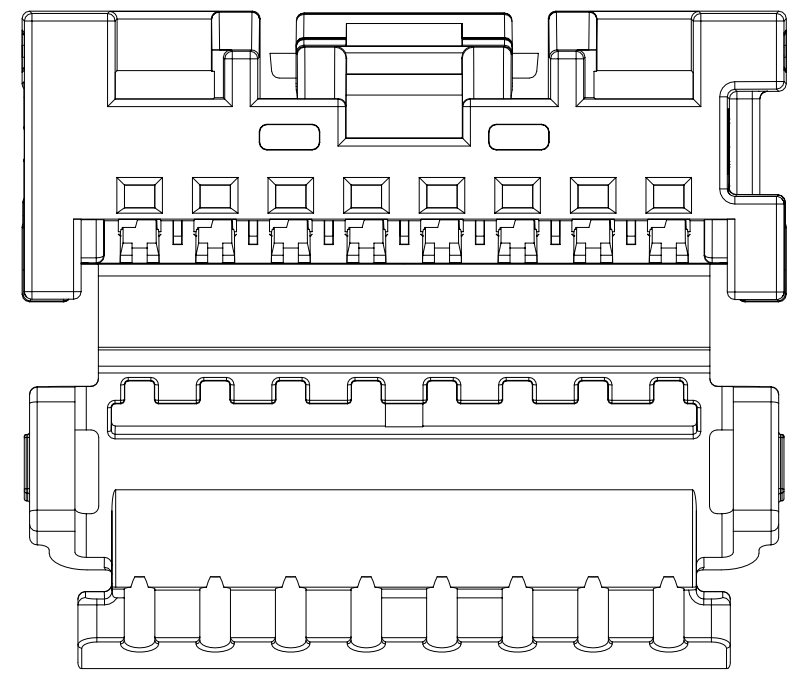
| | | | |
|-----------------|----------|----------|----------|
| DOCUMENT NUMBER | DOC TYPE | DOC PART | REVISION |
| SD-34791-001 | PSD | 000 | L8 |



8 CIRCUIT RECEPTACLE NO BRIDGE
POLARIZATION OPTION A

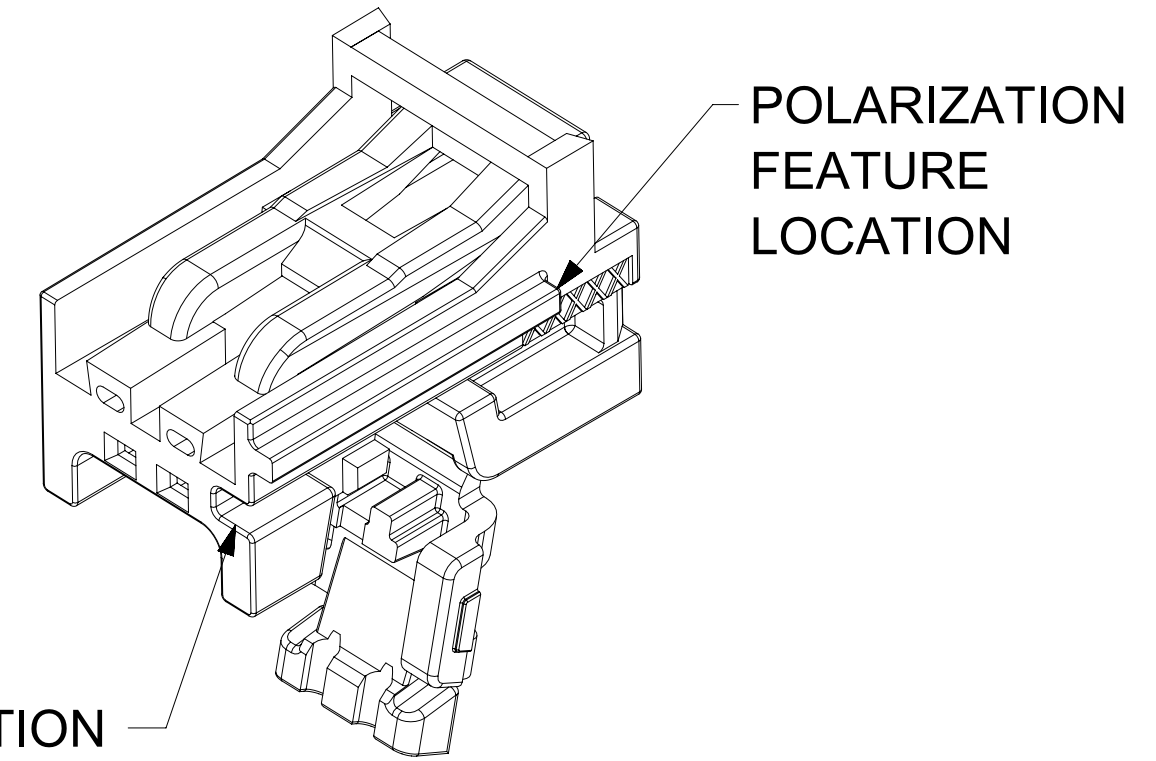


8 CIRCUIT RECEPTACLE NO BRIDGE
POLARIZATION OPTION B



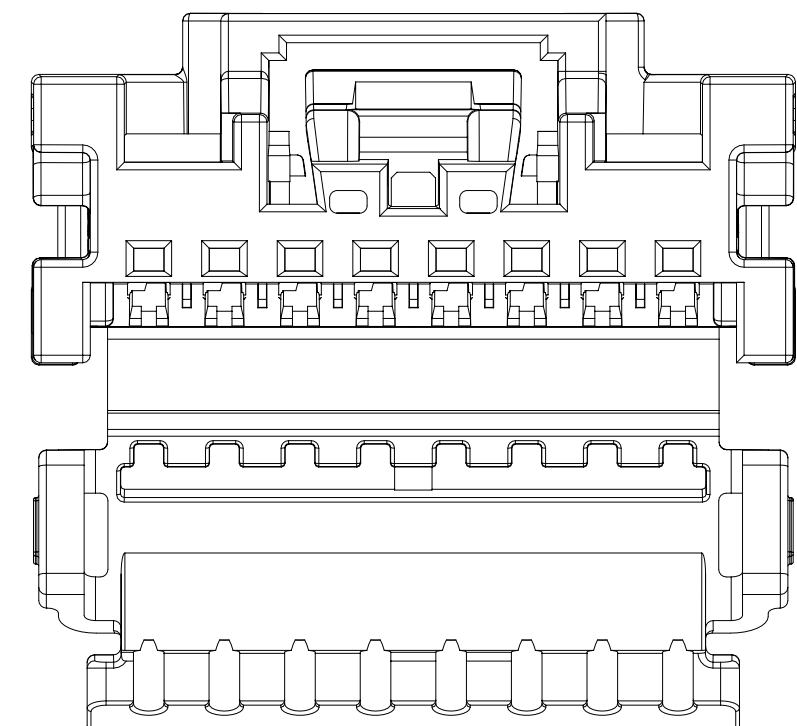
8 CIRCUIT RECEPTACLE NO BRIDGE
POLARIZATION OPTION C

2 CIRCUIT RECEPTACLE SHOWN
(AS SHIPPED)

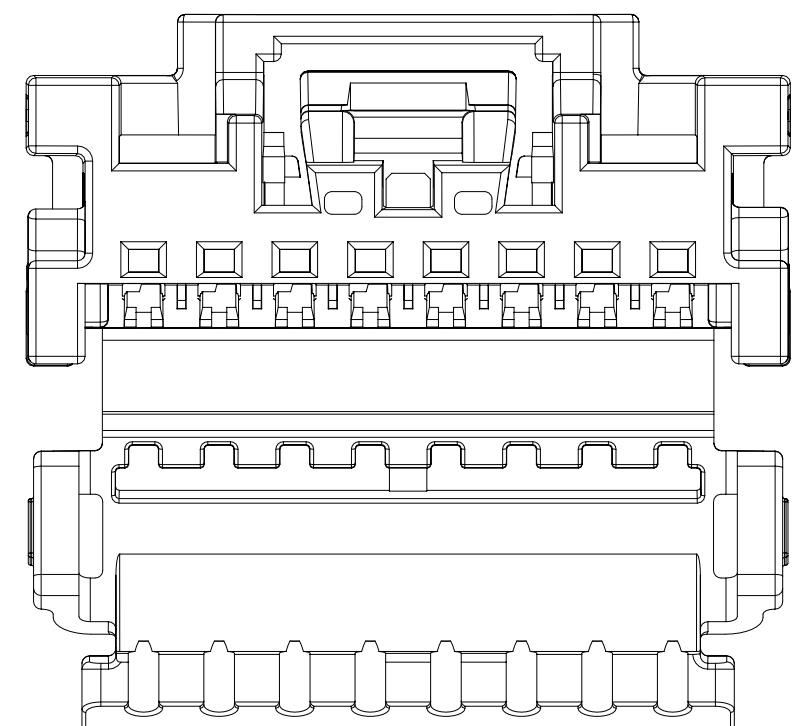


POLARIZATION
FEATURE
LOCATION

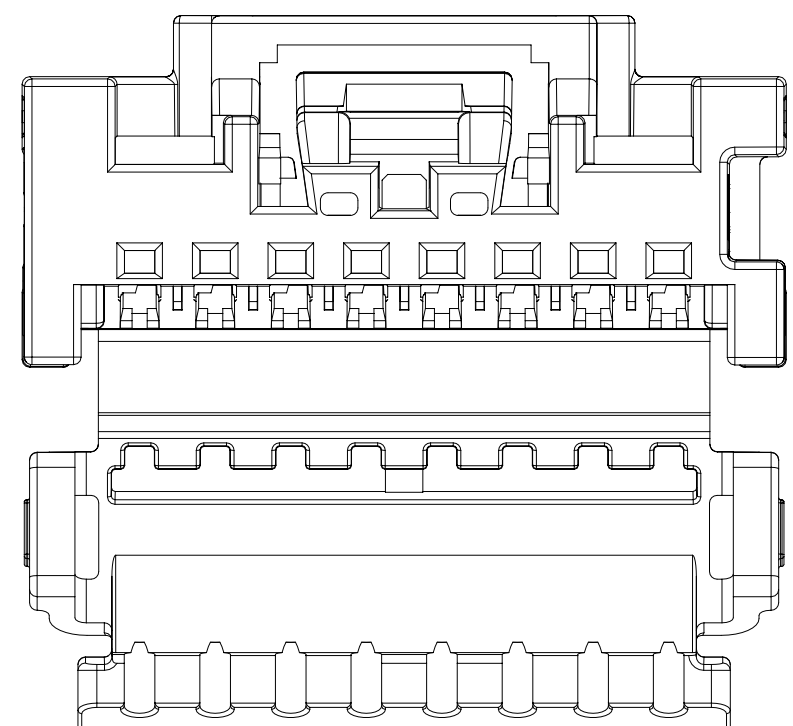
POLARIZATION
FEATURE
LOCATION



8 CIRCUIT RECEPTACLE BRIDGED
POLARIZATION OPTION A

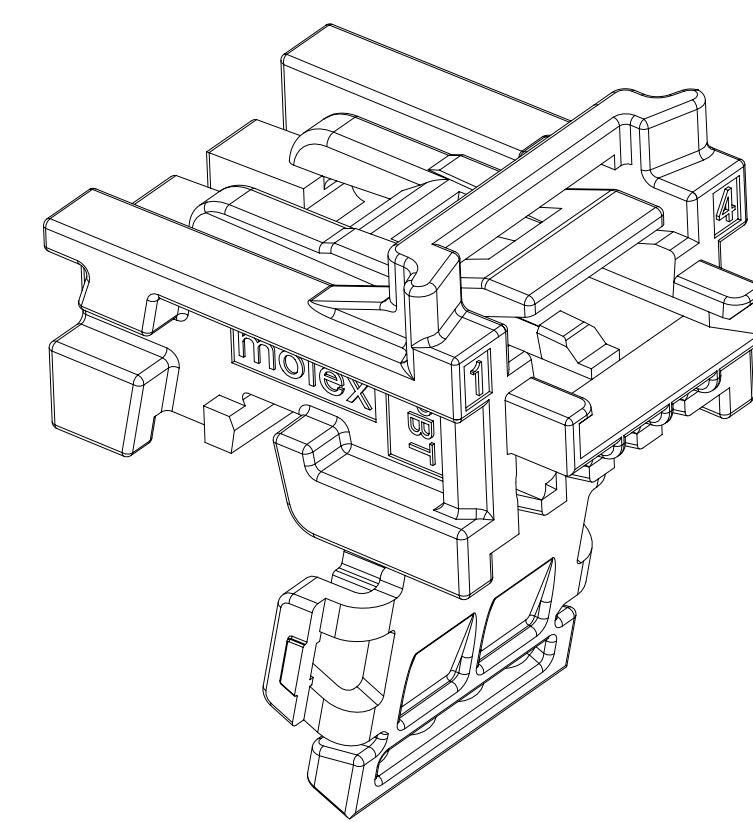


8 CIRCUIT RECEPTACLE BRIDGED
POLARIZATION OPTION B



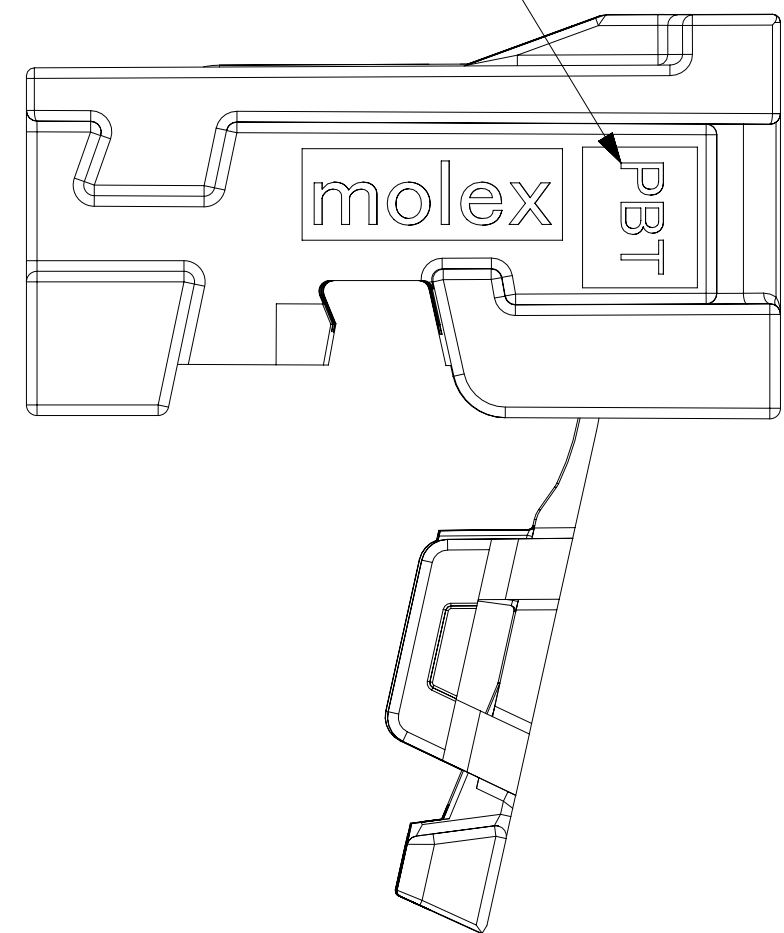
8 CIRCUIT RECEPTACLE BRIDGED
POLARIZATION OPTION C

4 CIRCUIT RECEPTACLE SHOWN
(AS SHIPPED)



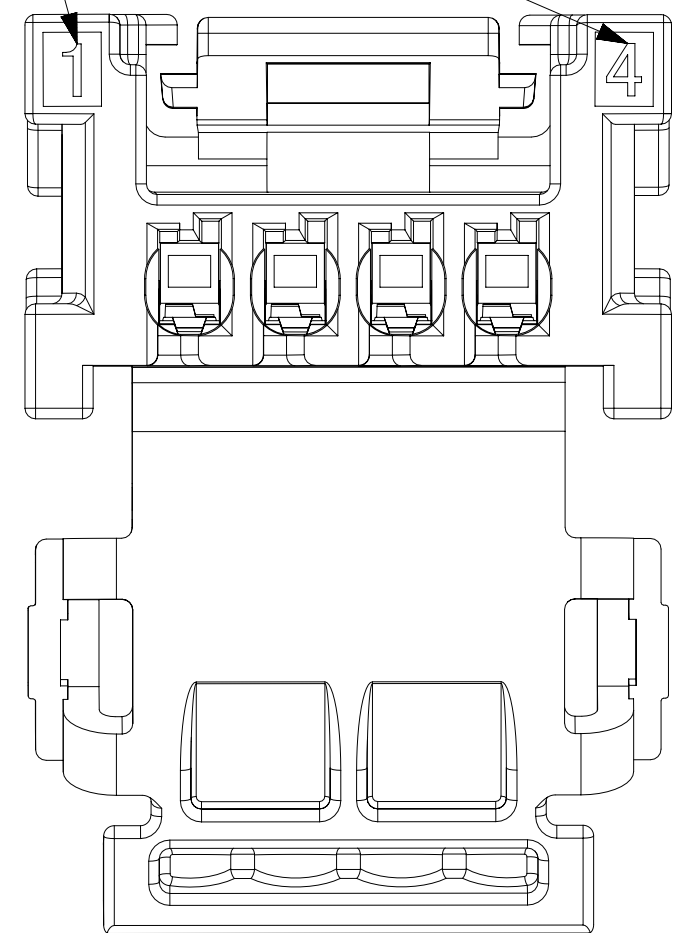
MINI50 WITH BRIDGE OPTION
COMES WITH CPA TRAY
REFER TO SD-34824-003 FOR
CPA-RECEPTACLE ASSEMBLIES

RECYCLING CODE

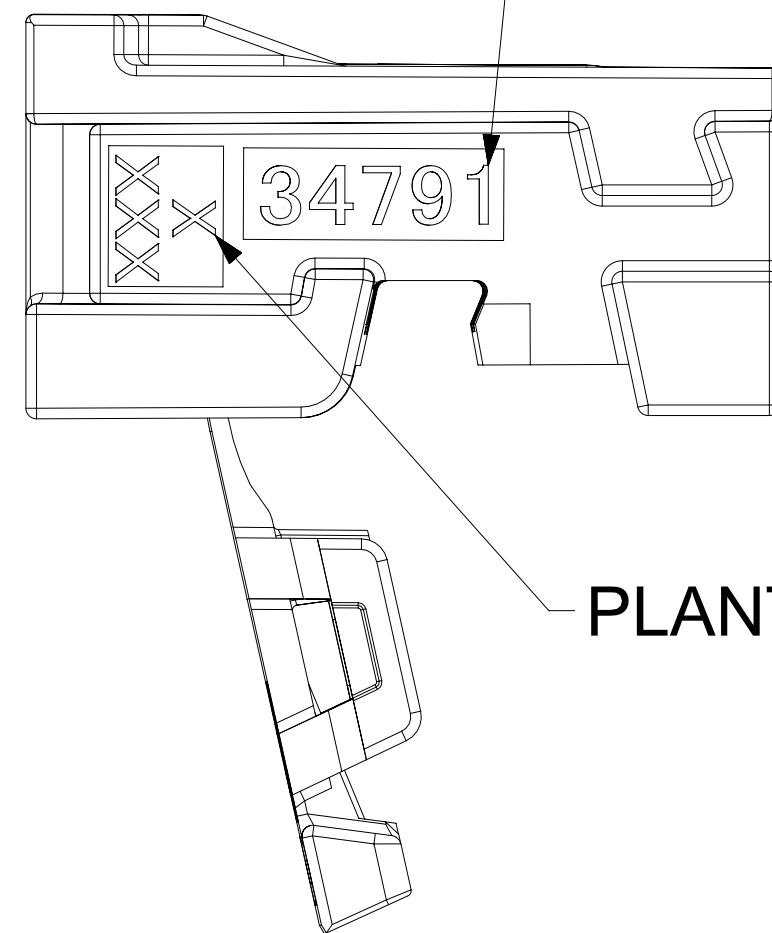


SCALE 7:1

CIRCUIT ID



PART SERIES NUMBER



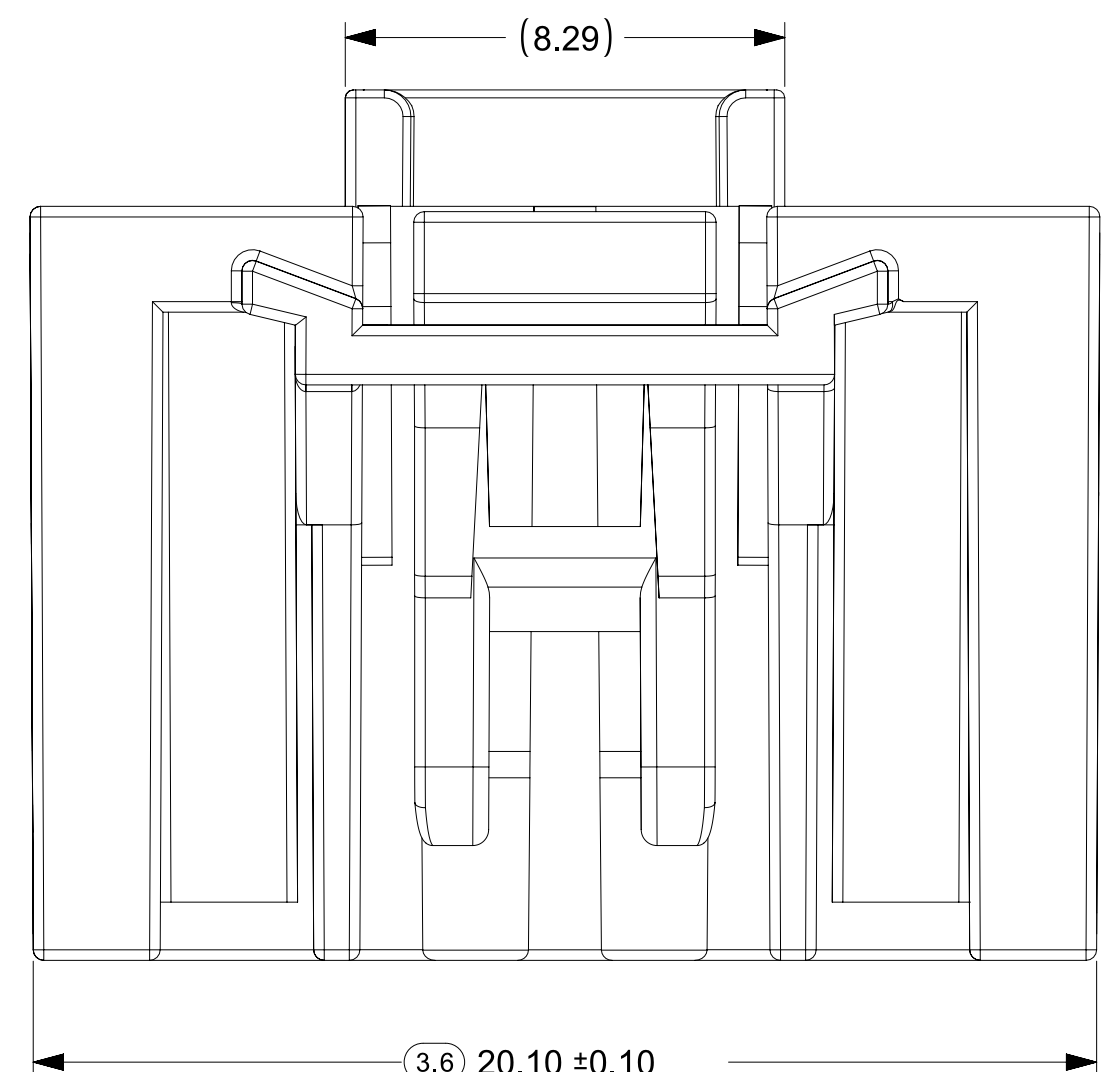
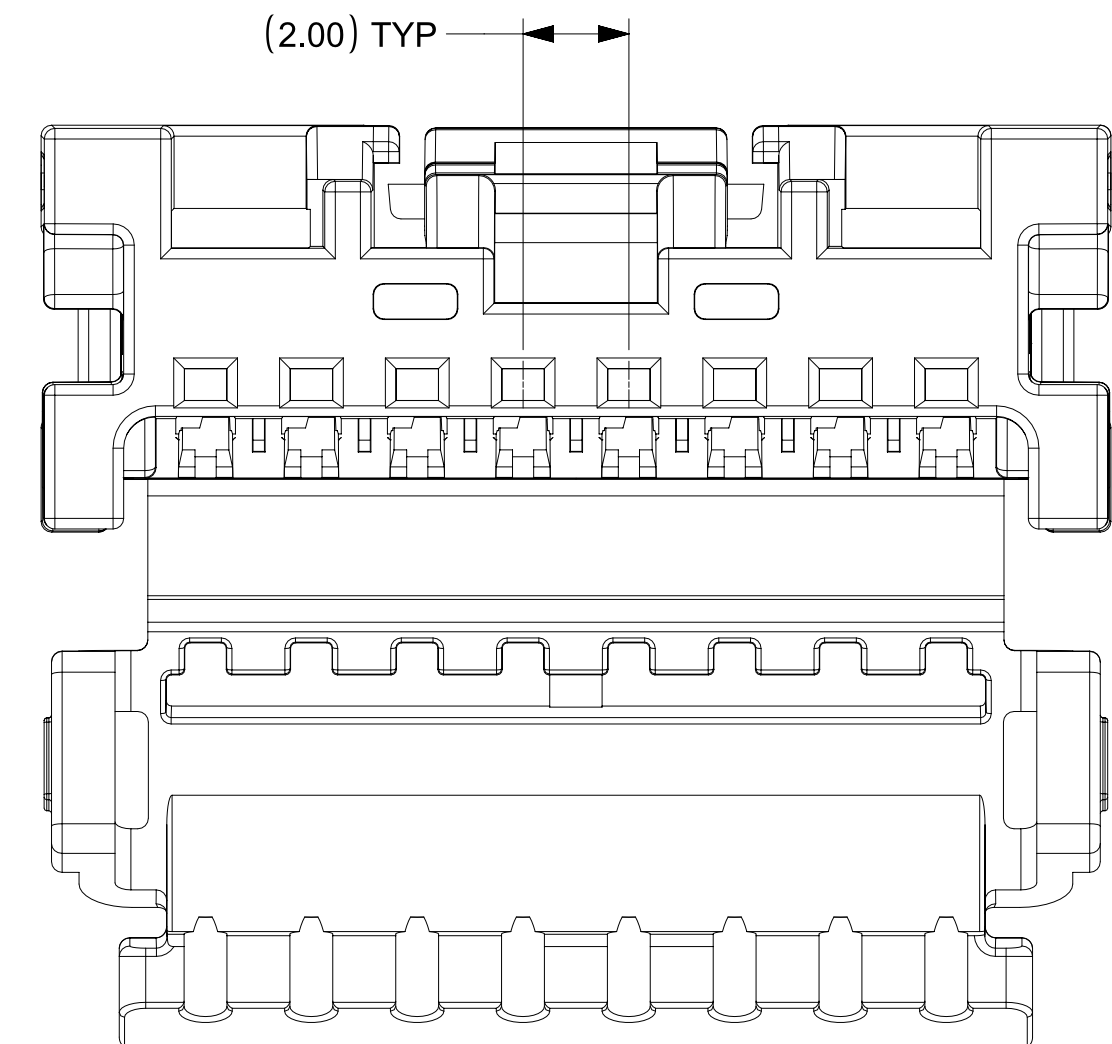
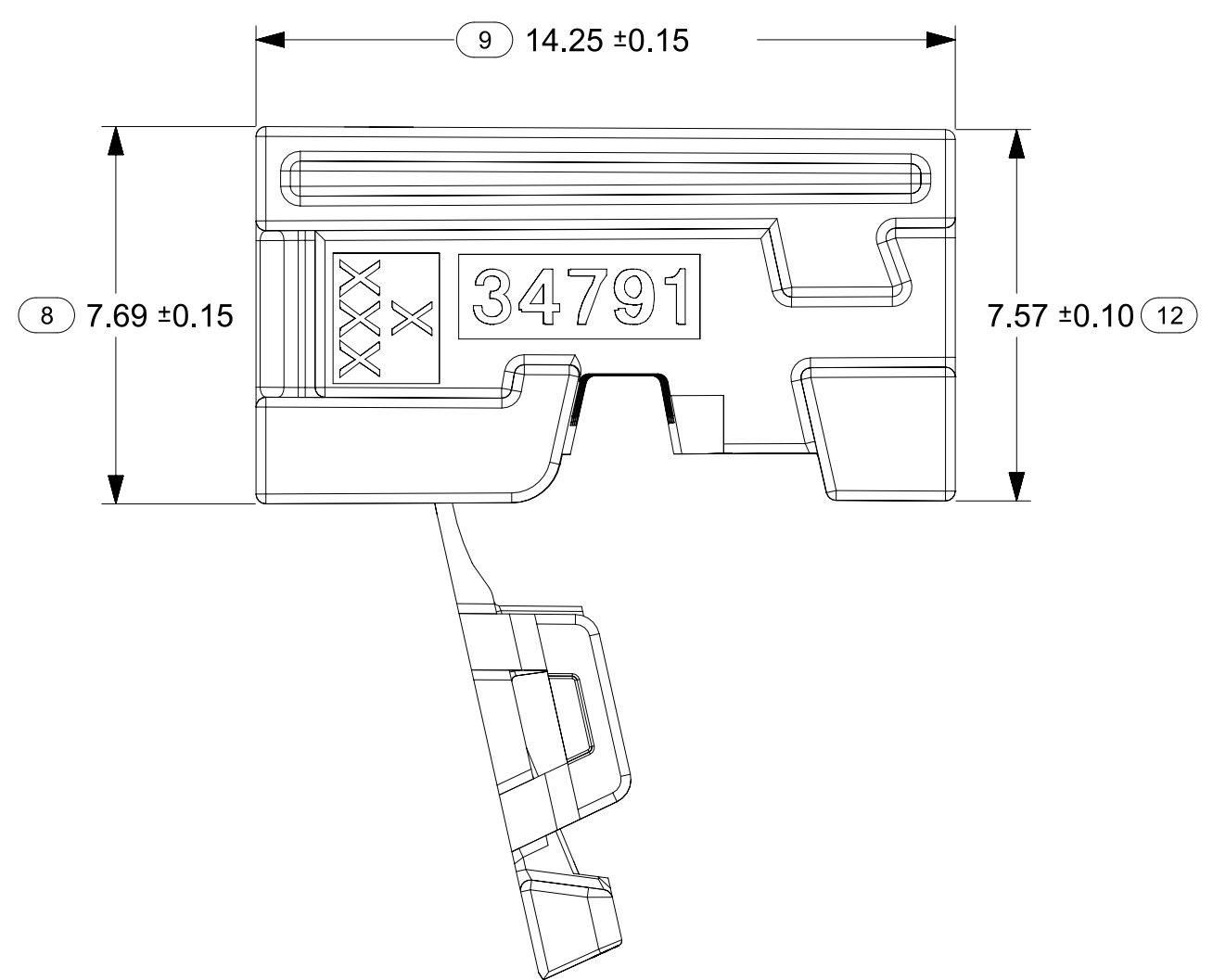
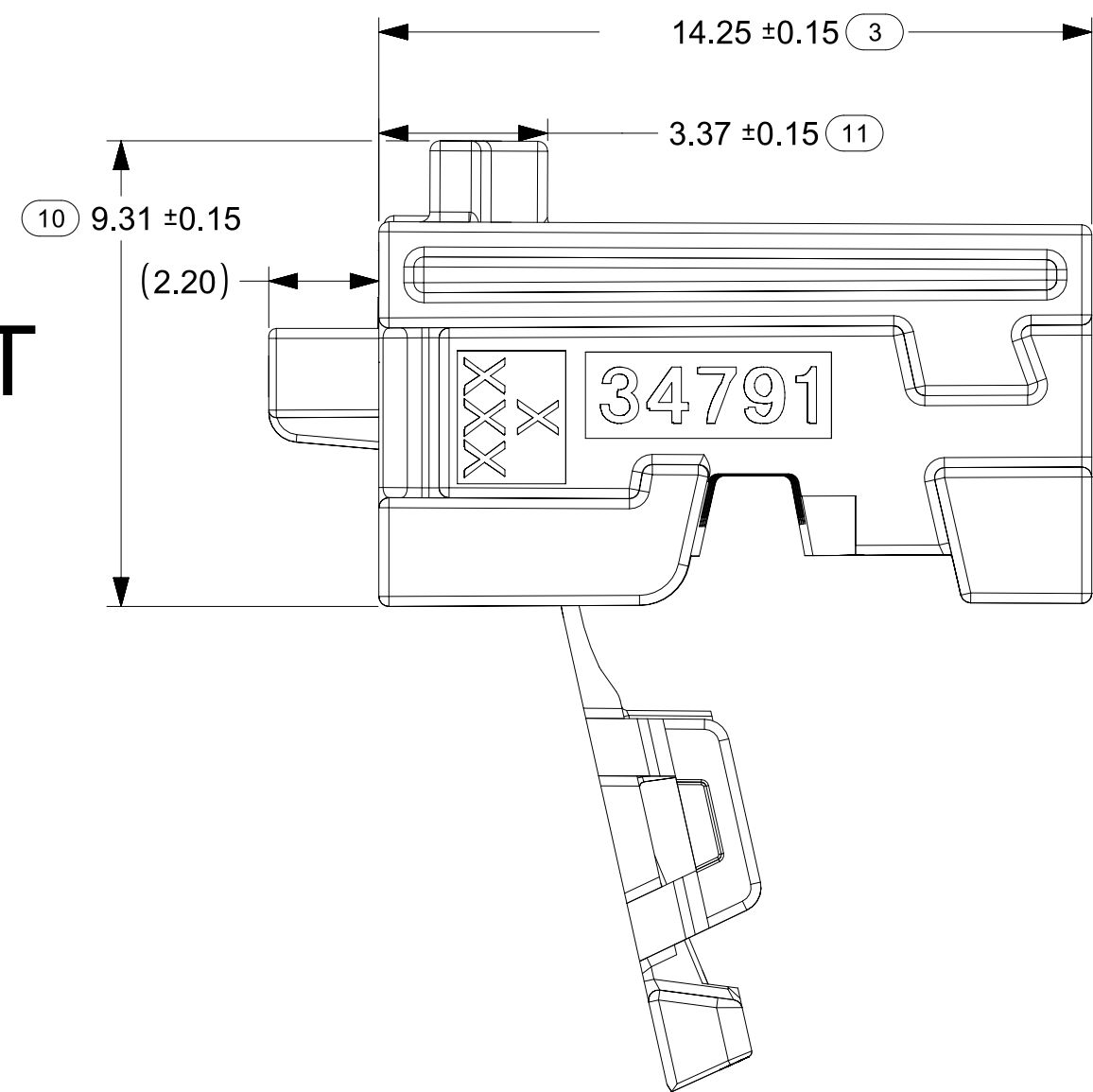
PLANT CODE & CAVITY ID

SCALE 7:1

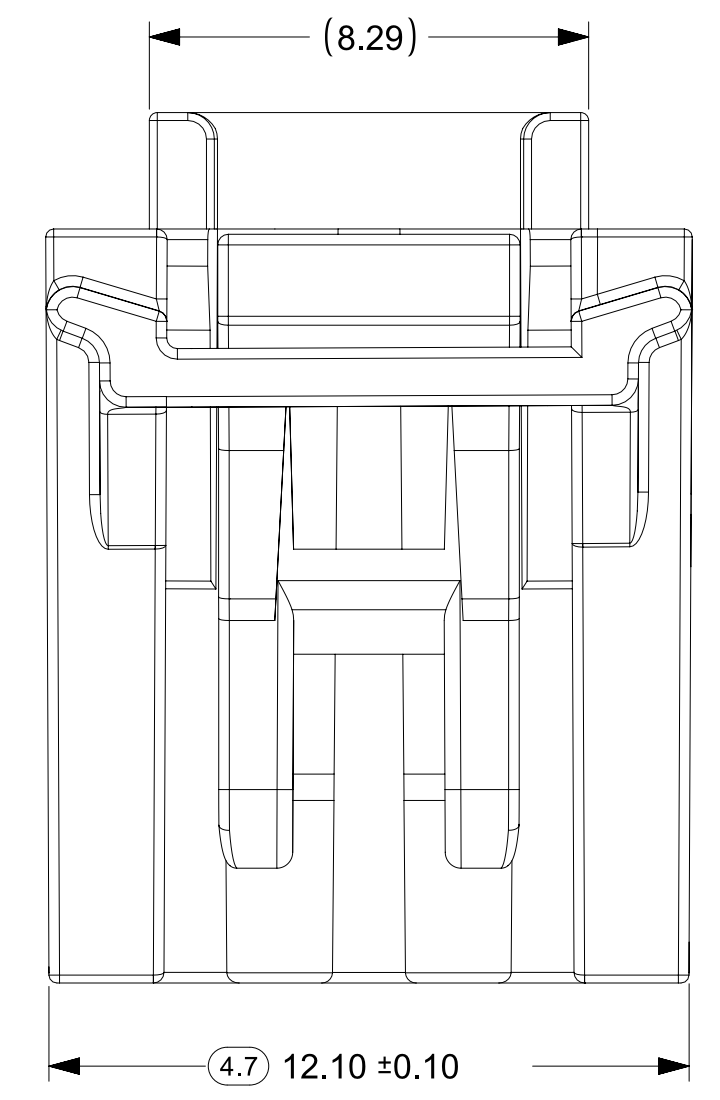
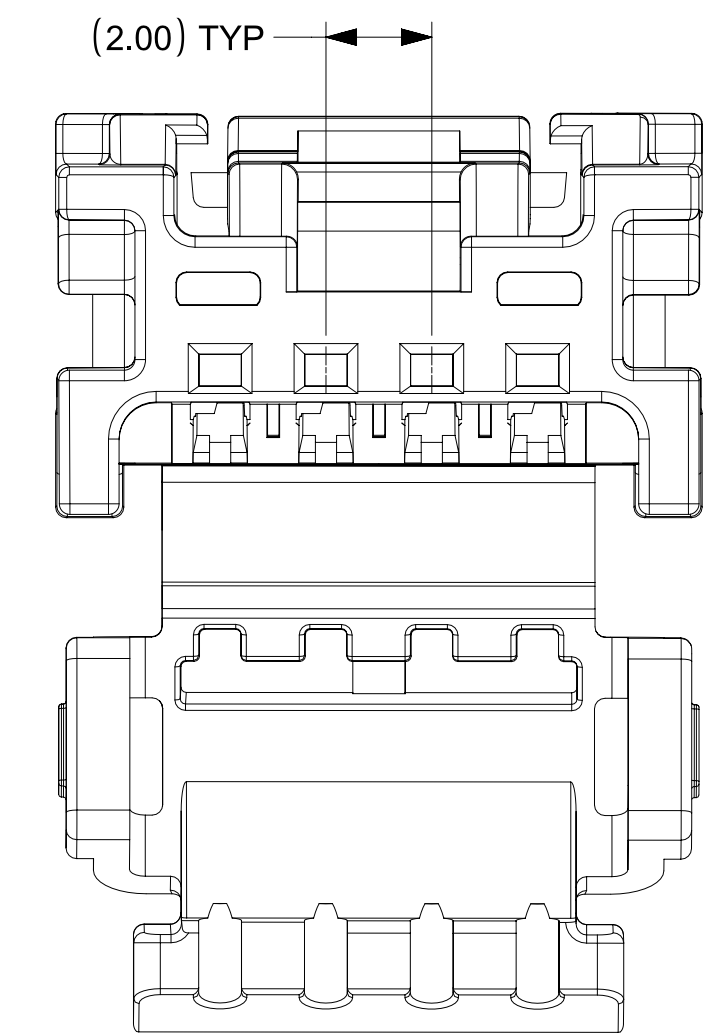
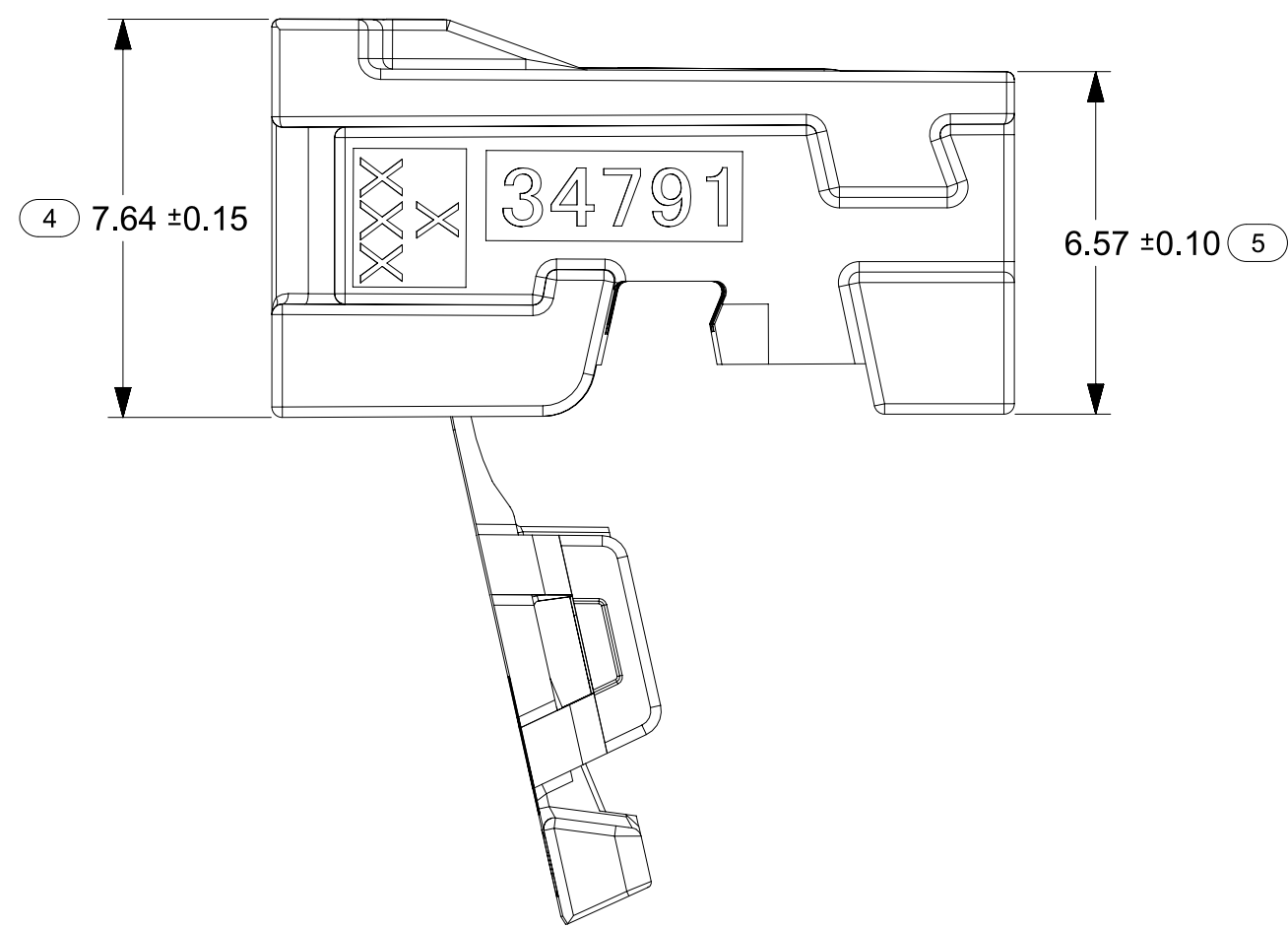
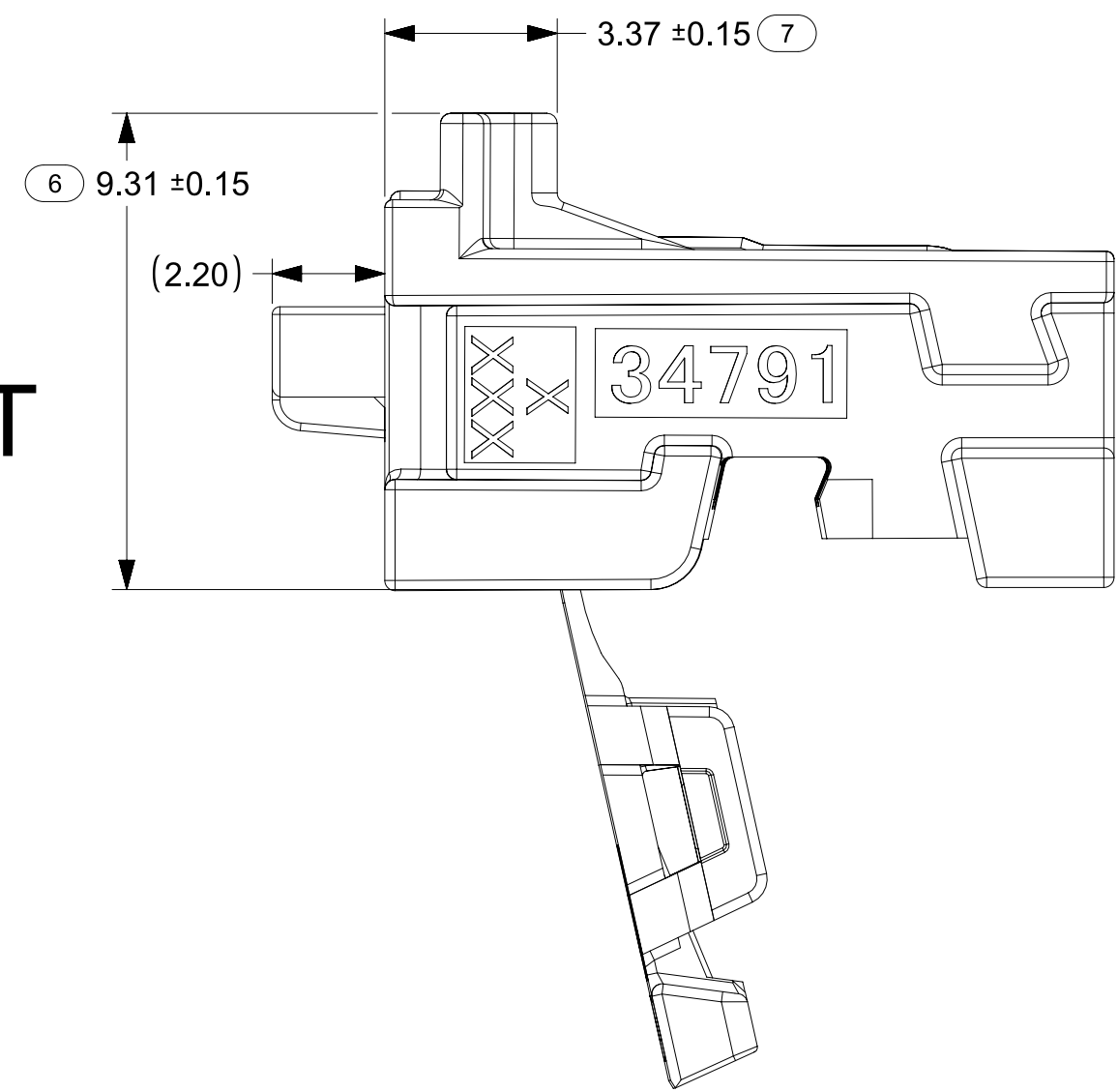
| | | | | | | |
|--|---|------------------------|-------------------|--|--|--|
| FUNCTIONAL SYMBOLS $\nabla_A = 0$ $\nabla_C = 0$ $\nabla_D = 0$ DIVISIONAL SYMBOLS | THIS DRAWING CONTAINS INFORMATION THAT IS PROPRIETARY TO MOLEX ELECTRONIC TECHNOLOGIES, LLC AND SHOULD NOT BE USED WITHOUT WRITTEN PERMISSION | | CURRENT REV DESC: | | | |
| | DIMENSION UNITS | SCALE | | | | |
| | MM | 5:1 | | | | |
| | GENERAL TOLERANCES (UNLESS SPECIFIED) | | | | | |
| | ANGULAR TOL $\pm 0.5^\circ$ | | | | | |
| 4 PLACES \pm | | | | STATUS: Production DRWN: Yann Chen CHK'D: Gang Li APPR: Colin Zhang | | |
| 3 PLACES \pm | | | | | | |
| 2 PLACES \pm | | | | | | |
| 1 PLACE \pm | | | | | | |
| 0 PLACES \pm | | | | | | |
| DRAFT WHERE APPLICABLE MUST REMAIN WITHIN DIMENSIONS | | THIRD ANGLE PROJECTION | DRAWING | SERIES | DOCUMENT NUMBER SD-34791-001 | |
| | | | D-SIZE | 34791 | | DOC TYPE DOC PART REVISION PSD 000 L8 |
| | | MATERIAL NUMBER | | CUSTOMER | SHEET NUMBER | |
| | | | | GENERAL MARKET | 2 OF 4 | |

NOTE: KEY A SHOWN AS REFERENCE

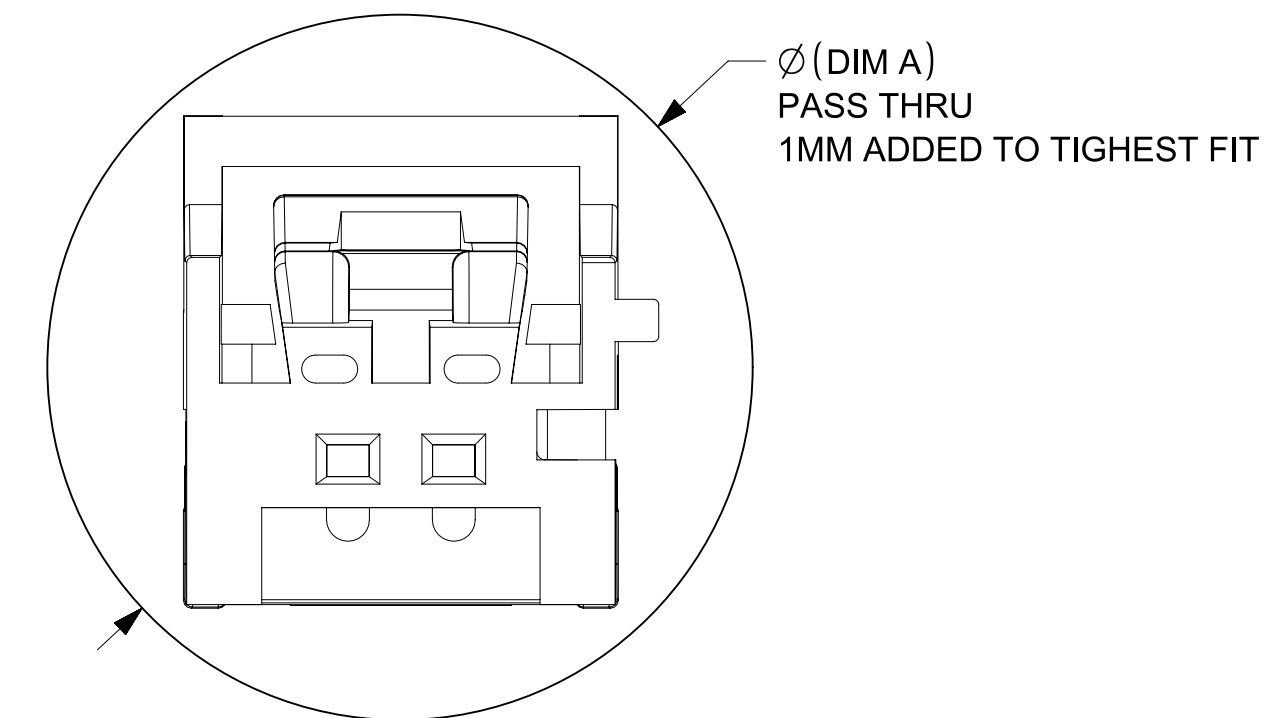
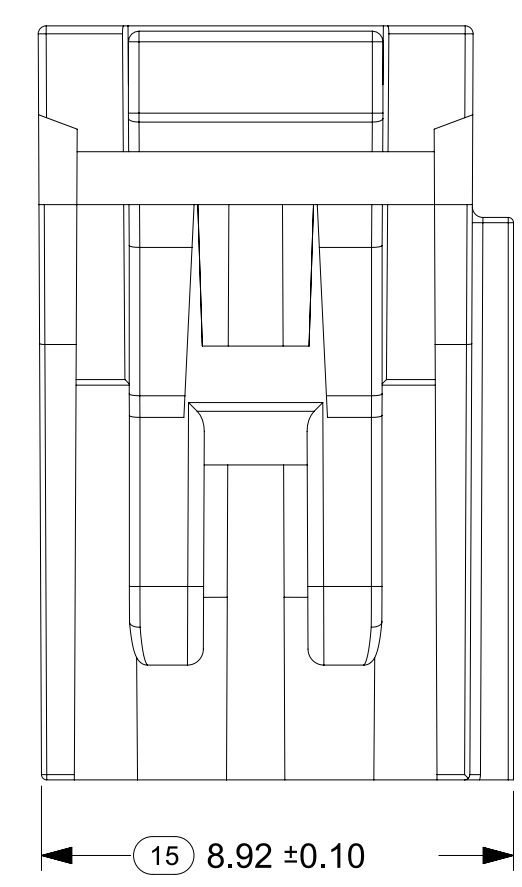
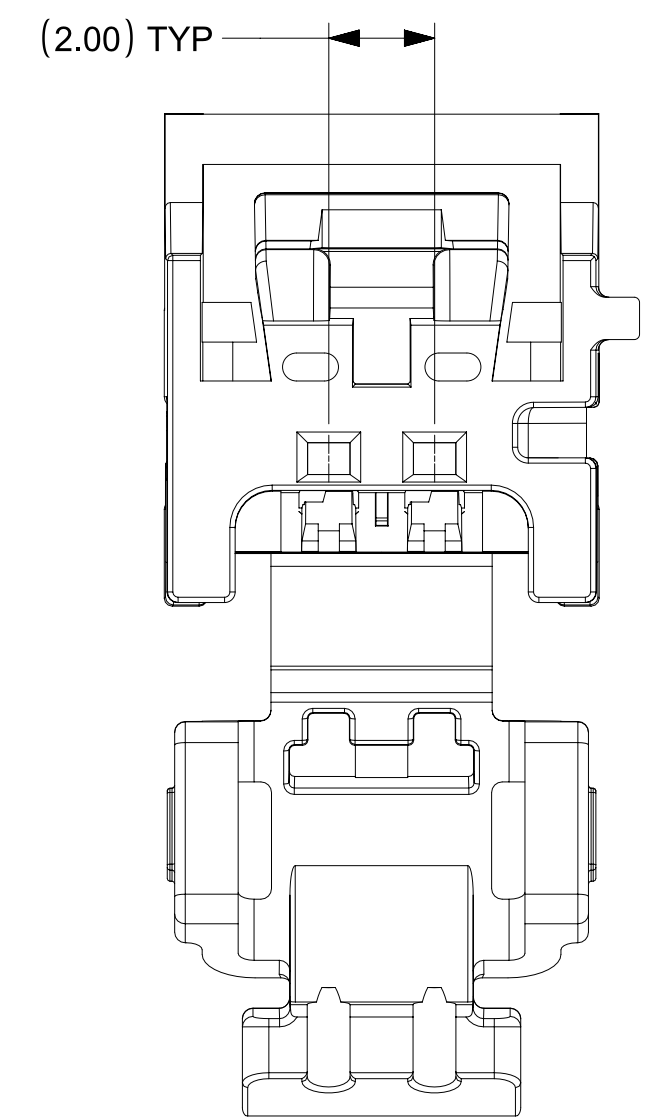
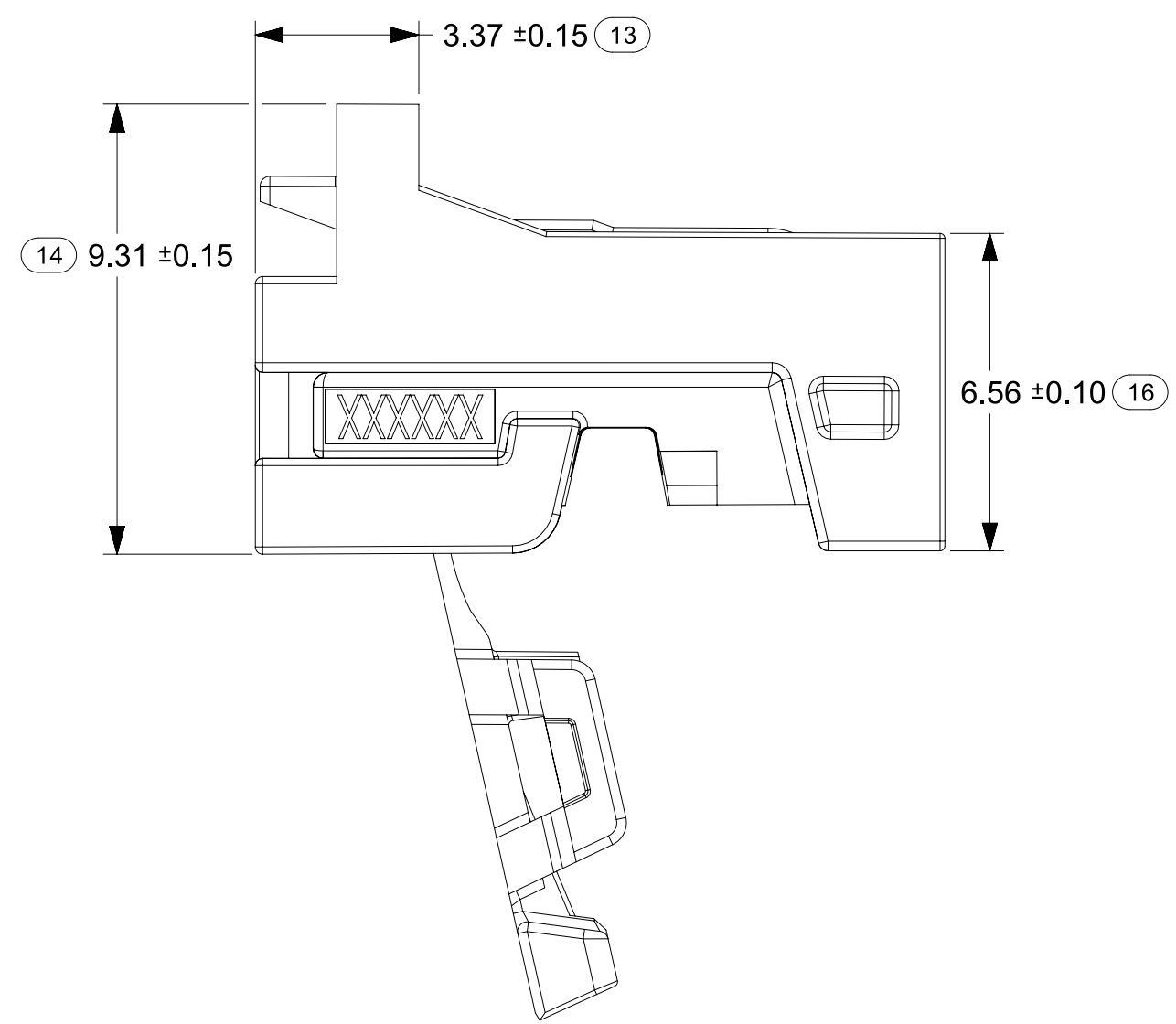
8 CIRCUIT



4 CIRCUIT



2 CIRCUIT



| | | | | |
|--|---|------------------------|-------------------|--------------|
| FUNCTIONAL SYMBOLS FA = 0 FE = 0 FP = 0 DIVISIONAL SYMBOLS | THIS DRAWING CONTAINS INFORMATION THAT IS PROPRIETARY TO MOLEX ELECTRONIC TECHNOLOGIES, LLC AND SHOULD NOT BE USED WITHOUT WRITTEN PERMISSION | | CURRENT REV DESC: | |
| | DIMENSION UNITS | SCALE | | |
| | MM | 7:1 | | |
| | GENERAL TOLERANCES (UNLESS SPECIFIED) | | | |
| | ANGULAR TOL | ± 0.5° | | |
| 4 PLACES ± | | STATUS: Production | | |
| 3 PLACES ± | | DRWN: Yann Chen | | |
| 2 PLACES ± | | 2023-10-20 | | |
| 1 PLACE ± | | 2023-10-25 | | |
| 0 PLACES ± | | 2023-10-30 | | |
| DRAFT WHERE APPLICABLE MUST REMAIN WITHIN DIMENSIONS | | THIRD ANGLE PROJECTION | DRAWING | SERIES |
| | | | D-SIZE | 34791 |
| | | MATERIAL NUMBER | | CUSTOMER |
| | | GENERAL MARKET | | SHEET NUMBER |
| | | | | 3 OF 4 |

molex

MINI50 SINGLE ROW RECEPTACLE SALES DWG

PRODUCT SALES DRAWING

DOCUMENT NUMBER: SD-34791-001 DOC TYPE: PSD DOC PART: 000 REVISION: L8

SD-34791-001

STATUS: Production
 DRWN: Yann Chen
 CHK'D: Gang Li
 APPR: Colin Zhang

2023-10-20
 2023-10-25
 2023-10-30

DRAWING: D-SIZE SERIES: 34791 MATERIAL NUMBER: CUSTOMER: SHEET NUMBER: 3 OF 4

MINI50 RECEPTACLES

| MATERIAL NUMBER BULK PACKAGING PK-31301-538 | LOCK BRIDGE OPTION | CONFIGURATION | CIRCUIT | POL | COLOR | DIM A | MATING COMPONENT | | | | | | | | | |
|---|--------------------------|------------------|---------|-----|-----------|------------|--|--------------------------------|--|--------------------------------|--------------------------------|--------------------------------|---|--------------------------------|--------------------------------|---|
| | | | | | | | SURFACE MOUNT TECHNOLOGY (SMT) HEADER-TIN | | SURFACE MOUNT TECHNOLOGY (SMT) HEADER-GOLD | | VERTICAL THRU HOLE HEADER | | | RIGHT ANGLE THRU HOLE HEADERS | | |
| | | | | | | | TAPE AND REEL PACKAGING PK-31301-786 | TUBE PACKAGING PK-31301-688 | TAPE AND REEL PACKAGING PK-31301-786 | TUBE PACKAGING PK-31301-688 | TRAY PACKAGING PK-31301-440 | TUBE PACKAGING PK-31301-688 | TAPE AND REEL PACKAGING PK-47799-0001 | TRAY PACKAGING PK-31301-440 | TUBE PACKAGING PK-31301-688 | TAPE AND REEL PACKAGING PK-47799-0001 |
| 34791-0040 | NO | USCAR COMPATIBLE | 4 | A | BLACK | 15.26 | 34912-8040 | 34912-9040 | 34912-6040 | 34912-5040 | 34792-0040 | 34792-9040 | 34792-8040 | 34793-0040 | 34793-9040 | 34793-8040 |
| 34791-0041 | NO | USCAR COMPATIBLE | 4 | B | GRAY | | 34912-8041 | 34912-9041 | 34912-6041 | 34912-5041 | 34792-0041 | 34792-9041 | 34792-8041 | 34793-0041 | 34793-9041 | 34793-8041 |
| 34791-0042 | NO | USCAR COMPATIBLE | 4 | C | DARK GRAY | | 34912-8042 | 34912-9042 | 34912-6042 | 34912-5042 | 34792-0042 | 34792-9042 | 34792-8042 | 34793-0042 | 34793-9042 | 34793-8042 |
| 34791-0043 | NO | USCAR COMPATIBLE | 4 | D | GREEN | | 34912-8043 | 34912-9043 | 34912-6043 | 34912-5043 | 34792-0043 | 34792-9043 | 34792-8043 | 34793-0043 | 34793-9043 | 34793-8043 |
| 34791-0080 | NO | USCAR COMPATIBLE | 8 | A | BLACK | 22.52 | 34912-8080 | 34912-9080 | 34912-6080 | 34912-5080 | 34792-0080 | 34792-9080 | 34792-8080 | 34793-0080 | 34793-9080 | 34793-8080 |
| 34791-0081 | NO | USCAR COMPATIBLE | 8 | B | GRAY | | 34912-8081 | 34912-9081 | 34912-6081 | 34912-5081 | 34792-0081 | 34792-9081 | 34792-8081 | 34793-0081 | 34793-9081 | 34793-8081 |
| 34791-0082 | NO | USCAR COMPATIBLE | 8 | C | DARK GRAY | | 34912-8082 | 34912-9082 | 34912-6082 | 34912-5082 | 34792-0082 | 34792-9082 | 34792-8082 | 34793-0082 | 34793-9082 | 34793-8082 |
| 34791-0140 | YES | USCAR COMPATIBLE | 4 | A | BLACK | | 16.09 | 34912-8040 | 34912-9040 | 34912-6040 | 34912-5040 | 34792-0040 | 34792-9040 | 34792-8040 | 34793-0040 | 34793-9040 |
| 34791-0141 | YES | USCAR COMPATIBLE | 4 | B | GRAY | 34912-8041 | | 34912-9041 | 34912-6041 | 34912-5041 | 34792-0041 | 34792-9041 | 34792-8041 | 34793-0041 | 34793-9041 | 34793-8041 |
| 34791-0142 | YES | USCAR COMPATIBLE | 4 | C | DARK GRAY | 34912-8042 | | 34912-9042 | 34912-6042 | 34912-5042 | 34792-0042 | 34792-9042 | 34792-8042 | 34793-0042 | 34793-9042 | 34793-8042 |
| 34791-0143 | YES | USCAR COMPATIBLE | 4 | D | GREEN | 34912-8043 | | 34912-9043 | 34912-6043 | 34912-5043 | 34792-0043 | 34792-9043 | 34792-8043 | 34793-0043 | 34793-9043 | 34793-8043 |
| 34791-0180 | YES | USCAR COMPATIBLE | 8 | A | BLACK | 22.52 | 34912-8080 | 34912-9080 | 34912-6080 | 34912-5080 | 34792-0080 | 34792-9080 | 34792-8080 | 34793-0080 | 34793-9080 | 34793-8080 |
| 34791-0181 | YES | USCAR COMPATIBLE | 8 | B | GRAY | | 34912-8081 | 34912-9081 | 34912-6081 | 34912-5081 | 34792-0081 | 34792-9081 | 34792-8081 | 34793-0081 | 34793-9081 | 34793-8081 |
| 34791-0182 | YES | USCAR COMPATIBLE | 8 | C | DARK GRAY | | 34912-8082 | 34912-9082 | 34912-6082 | 34912-5082 | 34792-0082 | 34792-9082 | 34792-8082 | 34793-0082 | 34793-9082 | 34793-8082 |
| 34791-0020 | YES | MOLEX | 2 | A | BLACK | | 13.33 | 34912-8020 | 34912-9020 | 34912-6020 | 34912-5020 | N/A | N/A | N/A | N/A | N/A |
| 34791-0021 | YES | MOLEX | 2 | B | GRAY | 34912-8021 | | 34912-9021 | 34912-6021 | 34912-5021 | N/A | N/A | N/A | N/A | N/A | N/A |
| 34791-0022 | YES | MOLEX | 2 | C | DARK GRAY | 34912-8022 | | 34912-9022 | 34912-6022 | 34912-5022 | N/A | N/A | N/A | N/A | N/A | N/A |
| 34791-0023 | YES | MOLEX | 2 | D | GREEN | 34912-8023 | | 34912-9023 | 34912-6023 | 34912-5023 | N/A | N/A | N/A | N/A | N/A | N/A |

CTX50 UNSEALED RECEPTACLE TERMINALS

| PART NUMBER | | MATERIAL | WIRE GAGE (mm ²) | GRIP | STATUS |
|-------------------------|--------------------------|--------------|---------------------------------|--------|---------------------------|
| D-WIND (LEFT PAYOFF) | B-WIND (RIGHT PAYOFF) | | | | |
| 560023-0448 | 560023-0450 | COPPER ALLOY | 0.35 | LARGE | PLAN OBSOLESCENCE IN 2024 |
| 560023-0421 | 560023-0423 | COPPER ALLOY | 0.22 | MEDIUM | PLAN OBSOLESCENCE IN 2024 |
| 560023-0444 | 560023-0445 | COPPER ALLOY | 0.13 | SMALL | PLAN OBSOLESCENCE IN 2024 |
| 560023-0748 | 560023-0750 | COPPER ALLOY | 0.35 | LARGE | SALEABLE |
| 560023-0721 | 560023-0723 | COPPER ALLOY | 0.22 | MEDIUM | SALEABLE |
| 560023-0744 | 560023-0745 | COPPER ALLOY | 0.13 | SMALL | SALEABLE |

L8

| | | | | | | |
|--|---|--|------------------------|--|--|----------------------------|
| FUNCTIONAL SYMBOLS FA = 0 FC = 0 FP = 0 | THIS DRAWING CONTAINS INFORMATION THAT IS PROPRIETARY TO MOLEX ELECTRONIC TECHNOLOGIES, LLC AND SHOULD NOT BE USED WITHOUT WRITTEN PERMISSION | DIMENSION UNITS MM | SCALE 7:1 | CURRENT REV DESC: | molex | |
| | GENERAL TOLERANCES (UNLESS SPECIFIED) | MINI50 SINGLE ROW RECEPTACLE SALES DWG | | | | |
| DIVISIONAL SYMBOLS | ANGULAR TOL ± 0.5° | STATUS: Production | | | DOCUMENT NUMBER SD-34791-001 | |
| | 4 PLACES ± | DRWN: Yann Chen | | | | DOC TYPE DOC PART REVISION |
| | 3 PLACES ± | CHK'D: Gang Li | | | | PSD 000 L8 |
| | 2 PLACES ± | APPR: Colin Zhang | | | | 2023-10-20 |
| | 1 PLACE ± | DRAFT WHERE APPLICABLE MUST REMAIN WITHIN DIMENSIONS | | | | 2023-10-25 |
| | THIRD ANGLE PROJECTION | DRAWING D-SIZE | SERIES 34791 | MATERIAL NUMBER CUSTOMER GENERAL MARKET | SHEET NUMBER 4 OF 4 | |

NOTES: VALID UNLESS OTHERWISE SPECIFIED

1. GENERAL:

- a. APPLICATION SPECIFICATION SEE: AS-34791-020
- b. PRODUCT SPECIFICATION SEE: PS-34791-020
- c. PACKAGING SPECIFICATION PER MOLEX DRAWING: SEE CHART
- d. PARTS MUST BE IN COMPLIANCE TO MOLEX CHEMICAL SUBSTANCES FOR PRODUCTS AND PACKAGING SPECIFICATION: QEHS-699000-301
- e. DATA MUST BE SUBMITTED UNDER THE MOLEX PART NUMBER TO IMDS (COMPANY ID#13255)
- f. FLAMMABILITY REQUIREMENT: PER ISO3795 OR GM3191
 - 1. BURN RATE 100 mm/MIN MAXIMUM
 - 2. MATERIAL MUST BE SELF EXTINGUISHING
- g. VISUAL DEFECTS SHALL MEET COSMETIC STANDARD PS-45499-002 (Class B)
- h. FOR TERMINAL USAGE, REFER TO MOLEX SALES DRAWING SD-560023-002 (PLAN OBSOLESCENCE IN 2024) AND 5600230800.

2. DESIGN - MATERIALS:

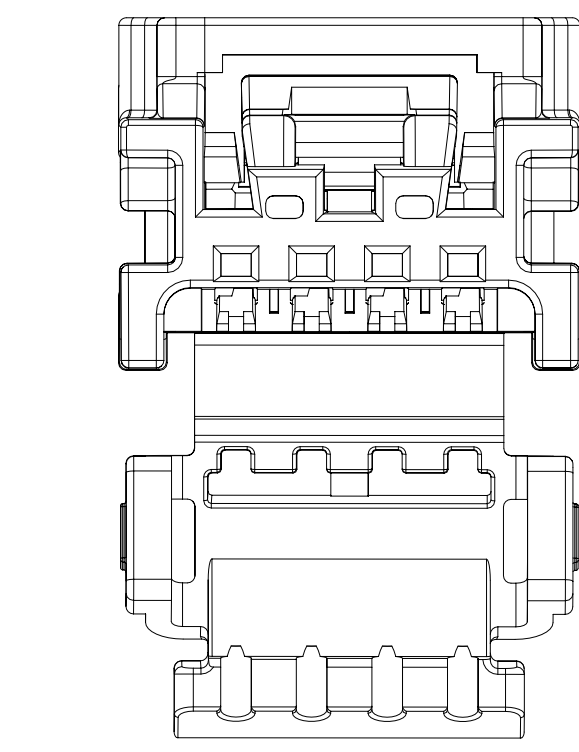
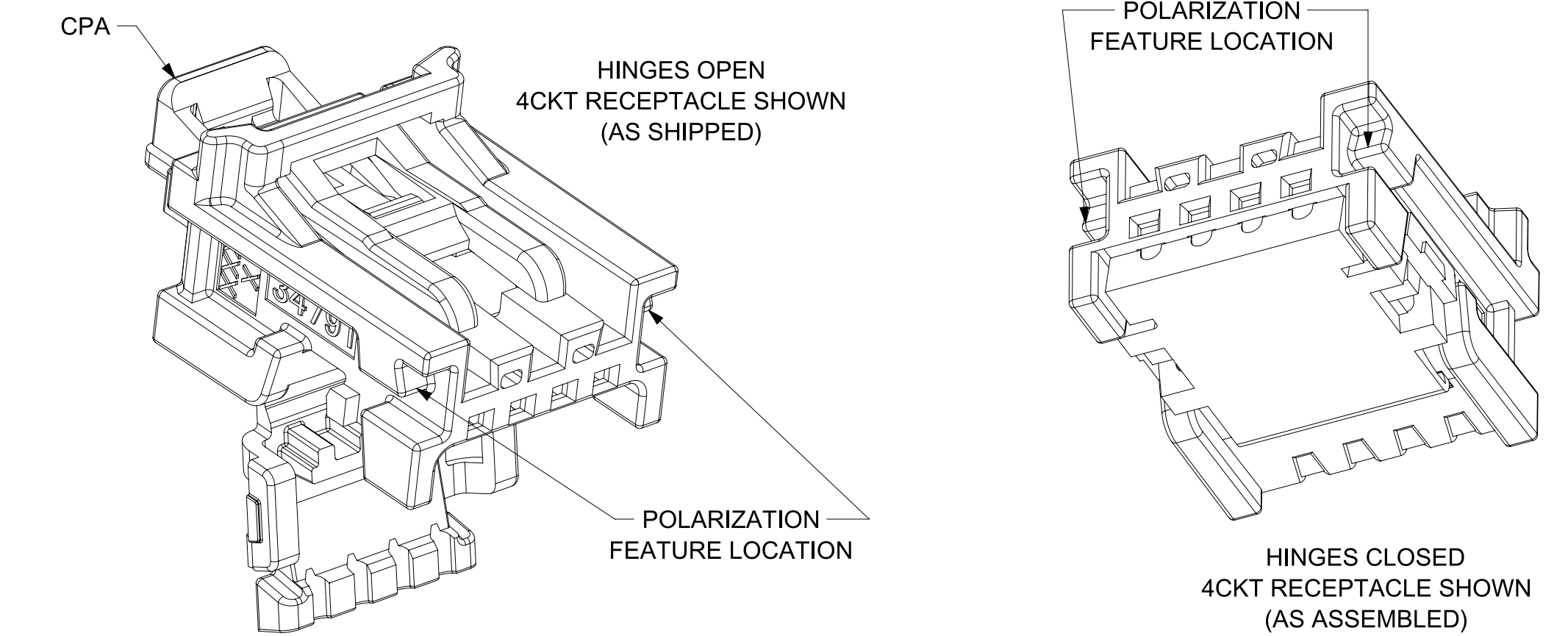
- a. SEE BOM FOR MATERIAL INFORMATION

3. DESIGN - GEOMETRY:

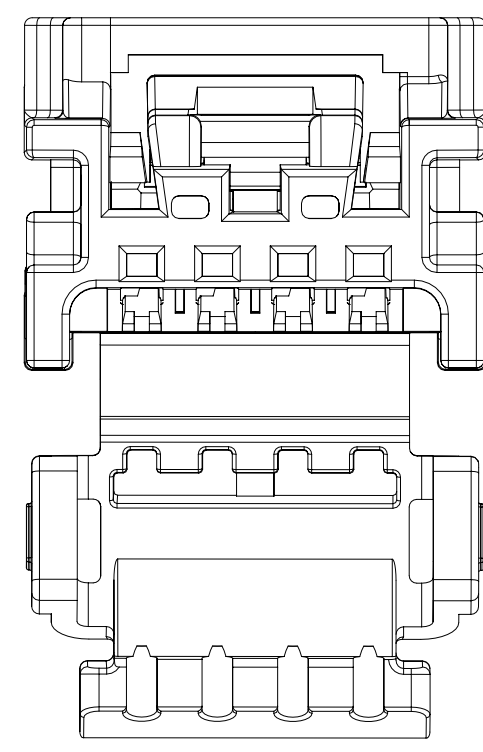
- a. THIS IS A 100% CAD GENERATED PART. THE CAD MATHEMATICAL DATA IS THE MASTER FOR THIS PART. FOR DIMENSIONAL OR ANY INFORMATION NOT SHOWN ON THIS DRAWING, ANALYZE THE CAD MODEL.
- b. GEOMETRIC DIMENSIONS AND TOLERANCES PER ASME Y14.5 - 2009
- c. GENERAL TOLERANCES:
 - LINEAR: REFER TO DRAWING FRAME
 - ANGULAR: $\pm 3^\circ$
- d. EDGES AND UNDIMENSIONED DETAILS PER ISO13715
- e. CORNERS SHOWN AS SHARP TO BE R 0.2 MAX
- f. LETTERING SHALL BE 0.1 MAX RAISED IN 0.15 MAX RECESS PAD AND NOT PROTRUDE THE SURFACE. THIS INCLUDES RECYCLING CODE, PLANT ID, CAVITY ID, VENDOR ID, CIRCUIT ID, AND PART SERIES NUMBER.
- g. DIMENSION APPLIES ONLY TO RECEPTACLES WITH LOCK BRIDGE OPTION.

4. DESIGN - FUNCTIONALITY:

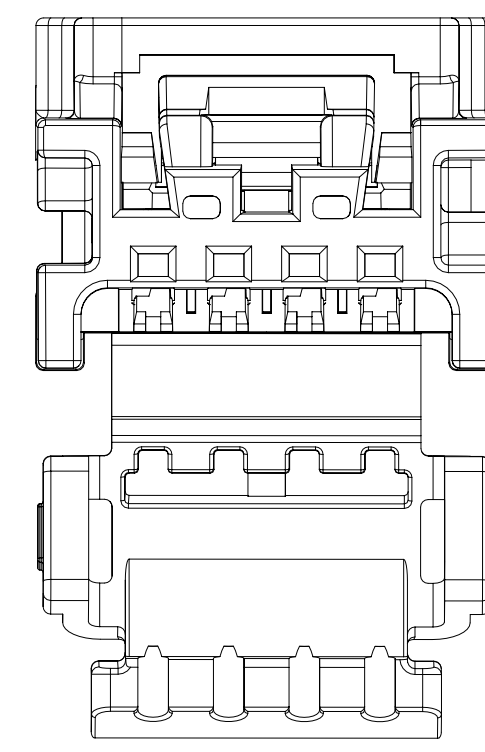
- a. HINGE DOES NOT AFFECT FUNCTION OF THE PART.



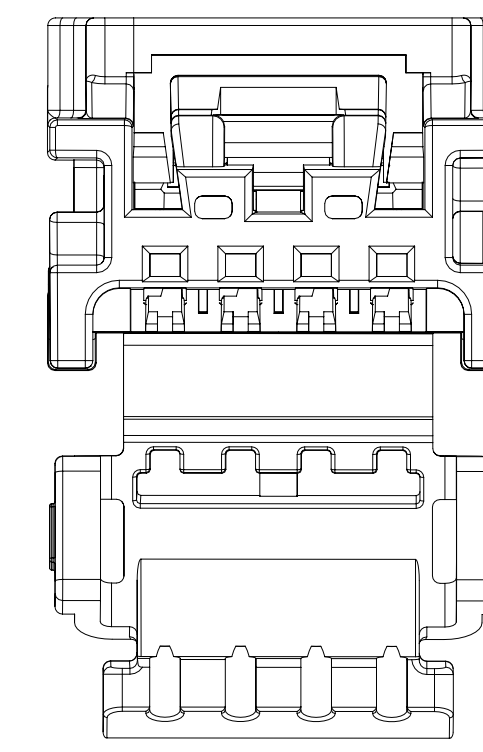
4CKT BRIDGED RECEPTACLE WITH CPA POLARIZATION OPTION A



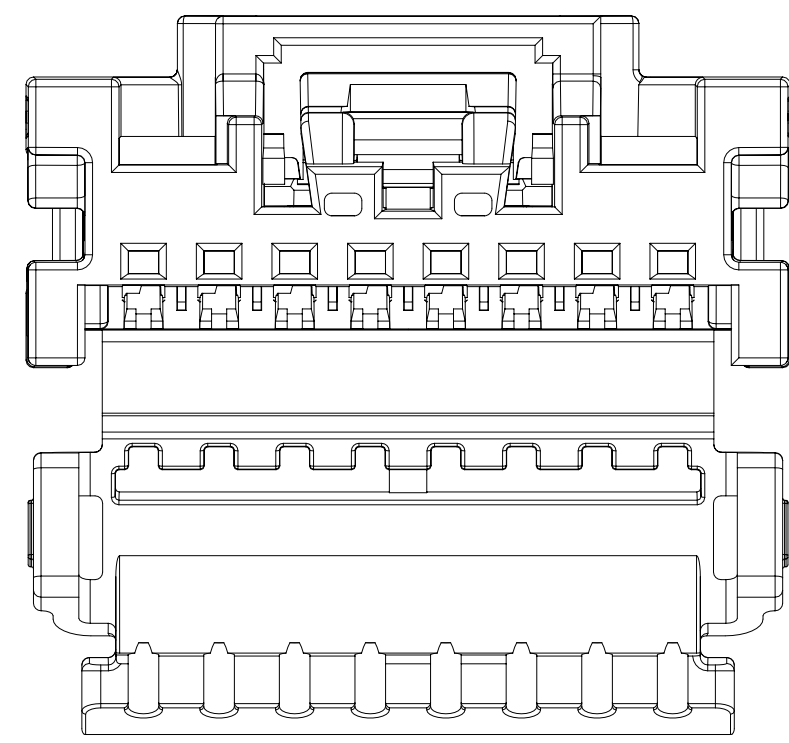
4CKT BRIDGED RECEPTACLE WITH CPA POLARIZATION OPTION B



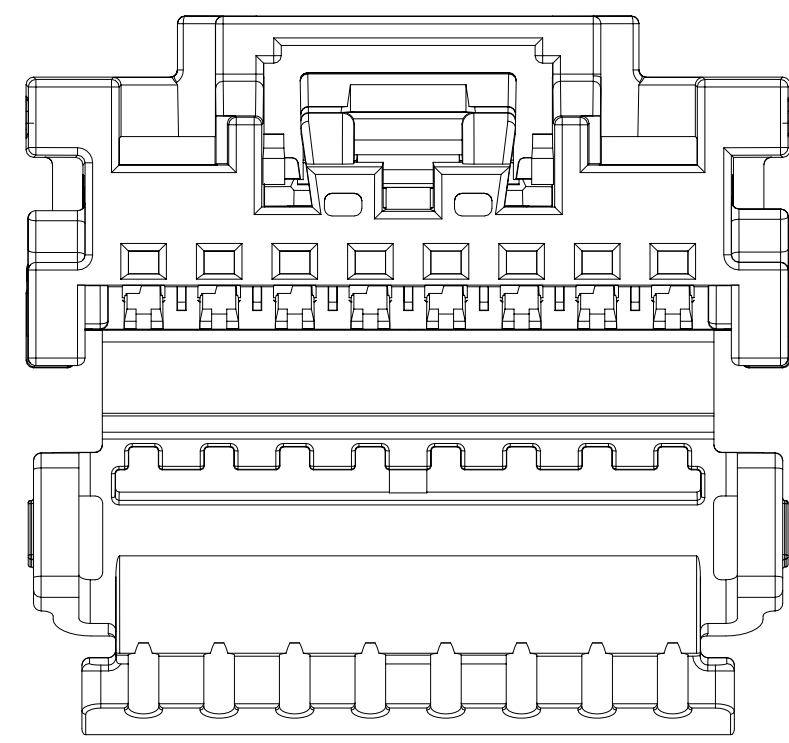
4CKT BRIDGED RECEPTACLE WITH CPA POLARIZATION OPTION C



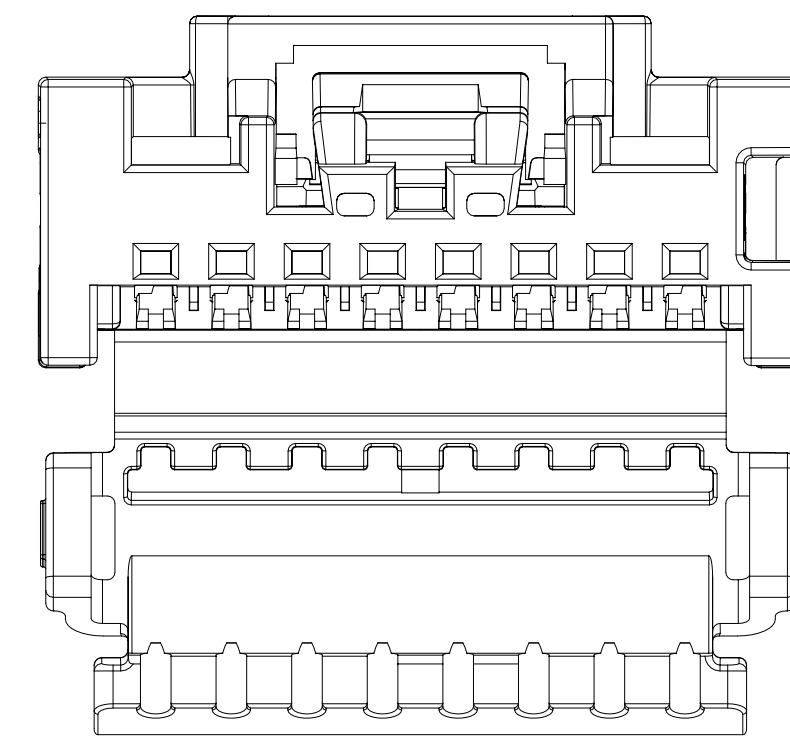
4CKT BRIDGED RECEPTACLE WITH CPA POLARIZATION OPTION D



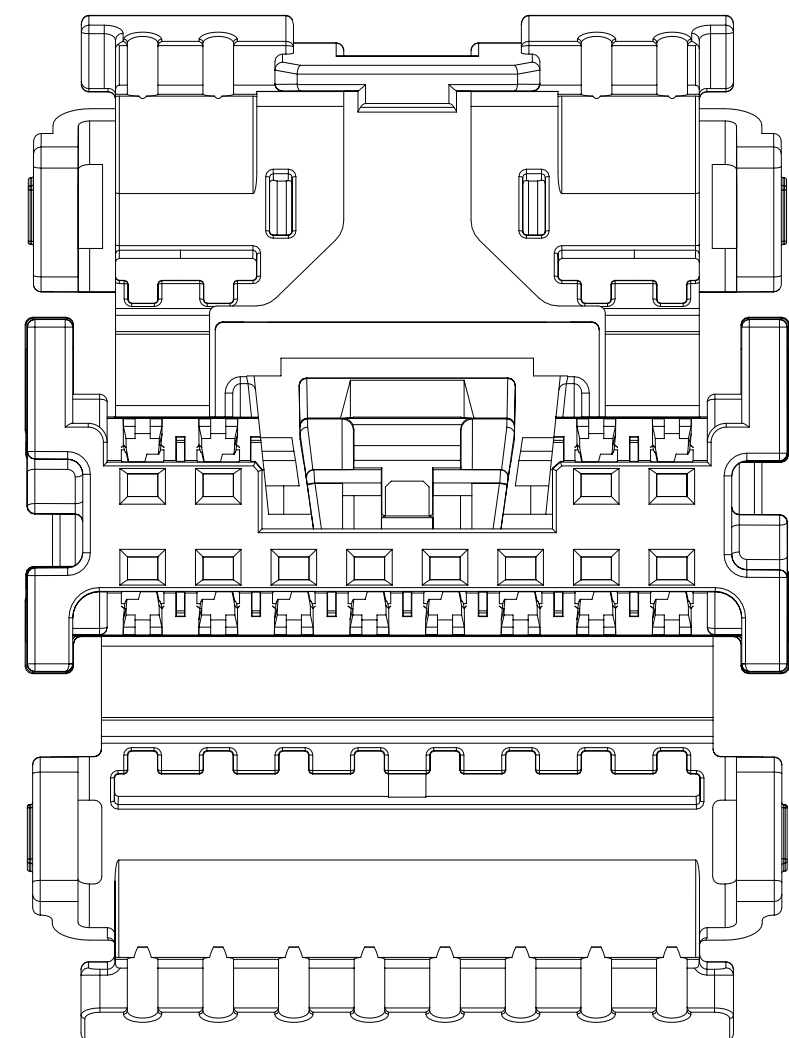
8CKT BRIDGED RECEPTACLE WITH CPA POLARIZATION OPTION A



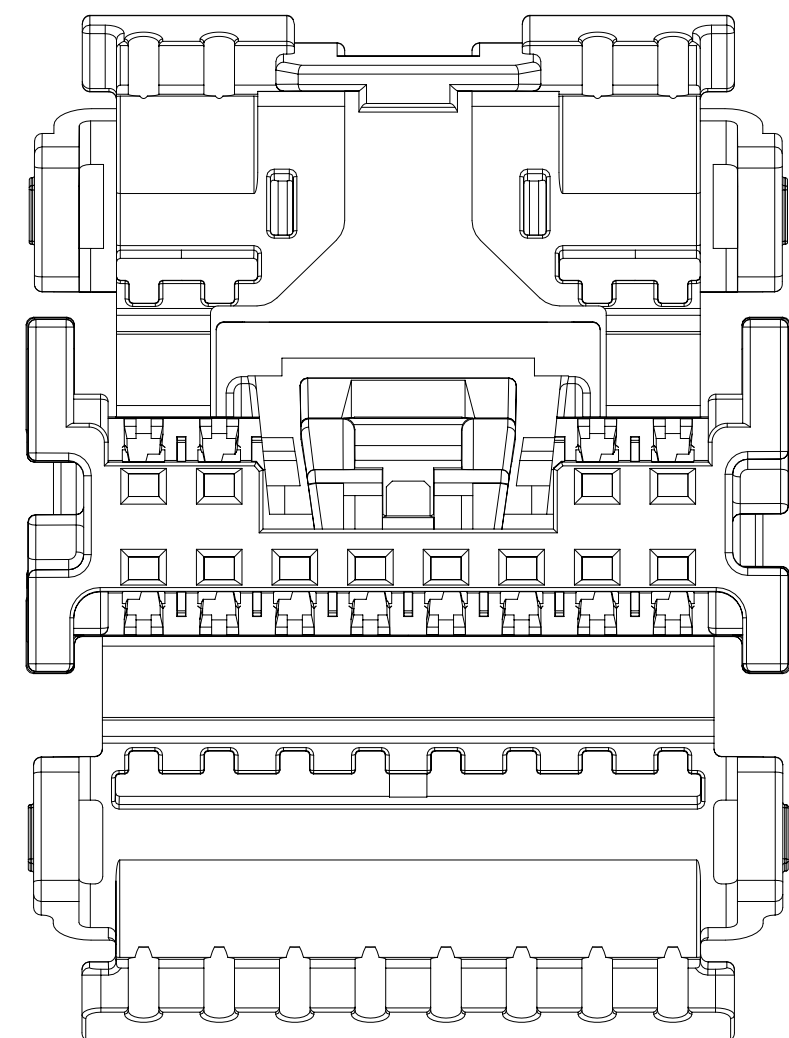
8CKT BRIDGED RECEPTACLE WITH CPA POLARIZATION OPTION B



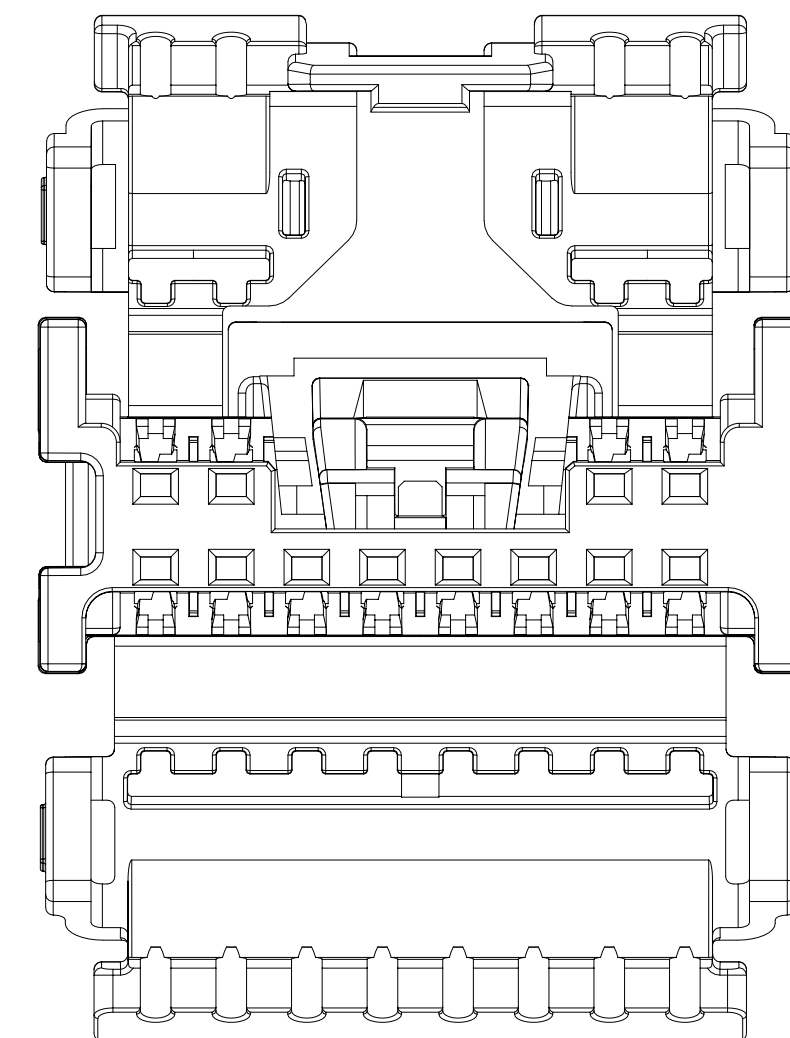
8CKT BRIDGED RECEPTACLE WITH CPA POLARIZATION OPTION C



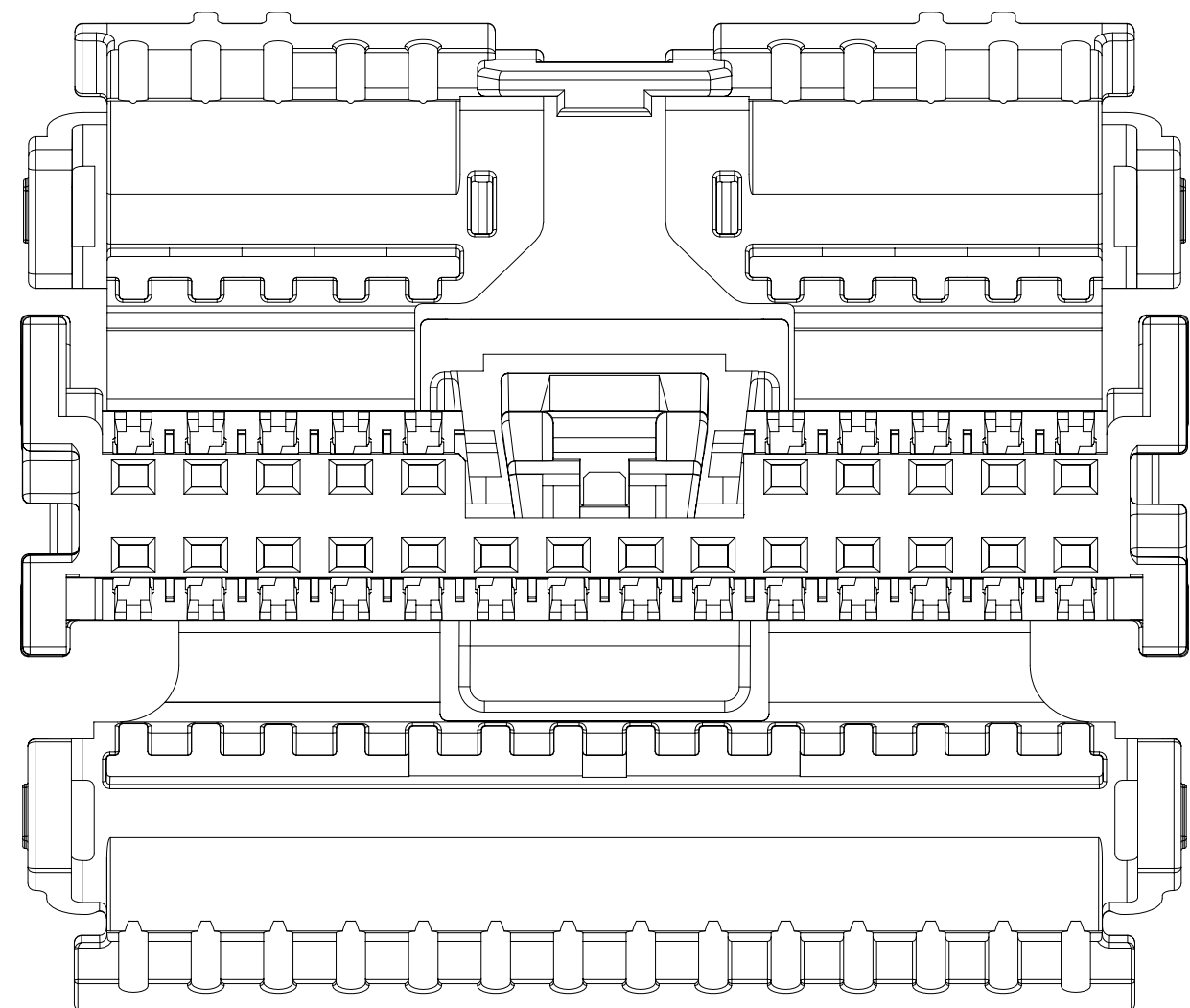
12CKT BRIDGED RECEPTACLE WITH CPA POLARIZATION OPTION A



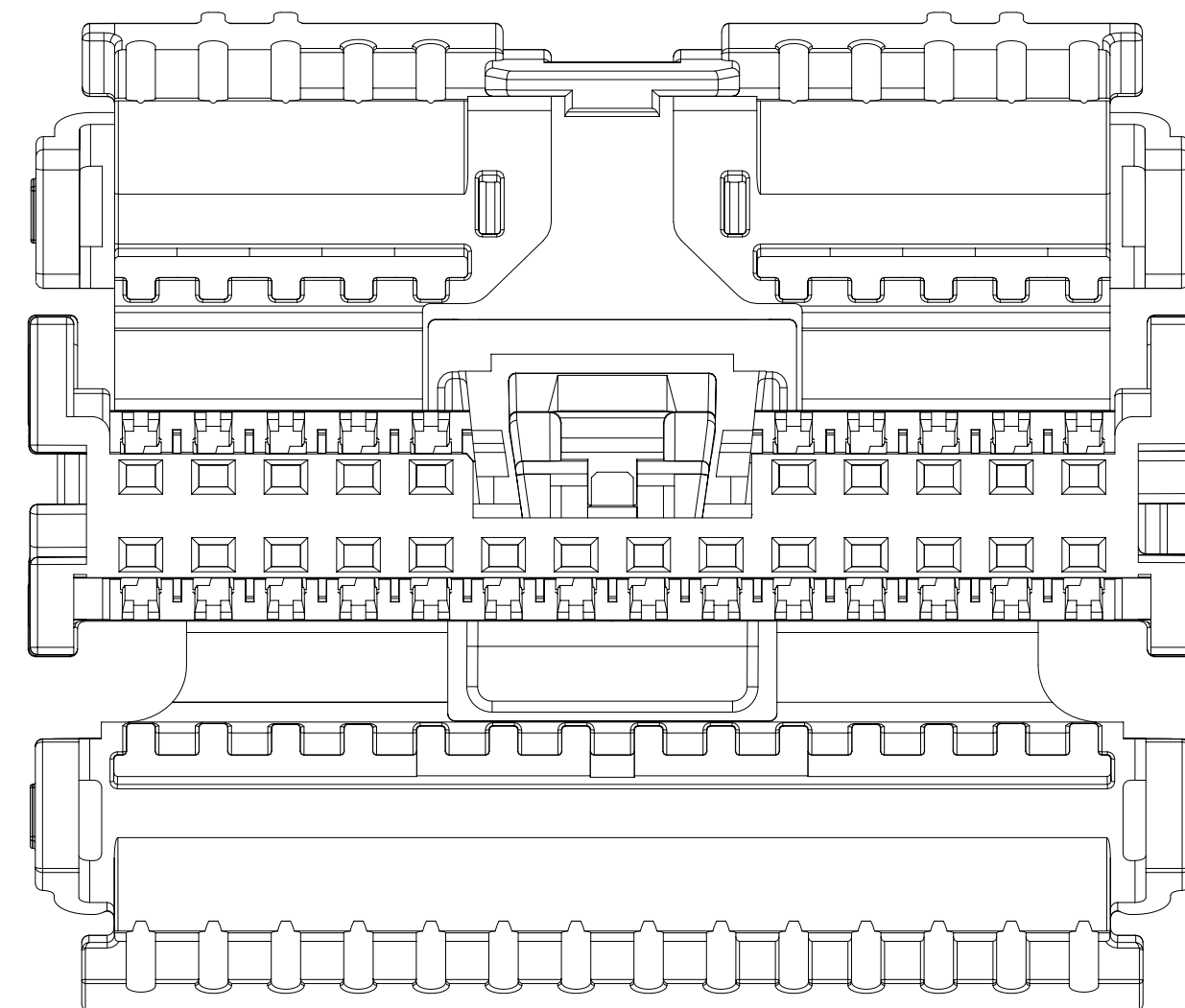
12CKT BRIDGED RECEPTACLE WITH CPA POLARIZATION OPTION B



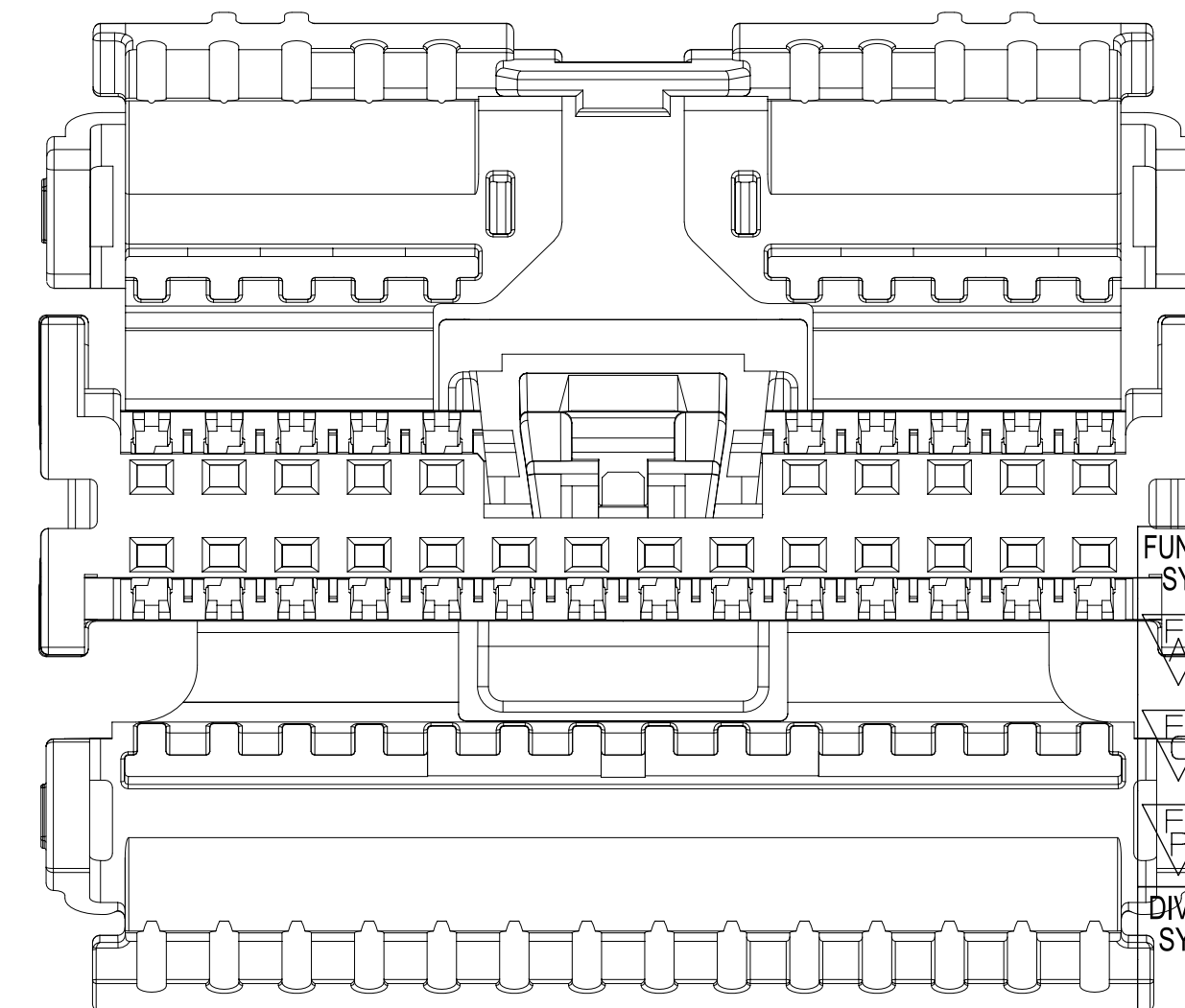
12CKT BRIDGED RECEPTACLE WITH CPA POLARIZATION OPTION C



24CKT BRIDGED RECEPTACLE WITH CPA POLARIZATION OPTION A



24CKT BRIDGED RECEPTACLE WITH CPA POLARIZATION OPTION B



24CKT BRIDGED RECEPTACLE WITH CPA POLARIZATION OPTION C

24CKT POLARIZATIONS ARE REPRESENTATIVE OF 16CKT AND 20CKT

INSPECTION BALLOON LOG
PER DRAWING REVISION: M16

LAST BALLOON USED: 21

ADDED BALLOON NUMBERS:

REMOVED BALLOON NUMBERS:

THIS DRAWING CONTAINS INFORMATION THAT IS PROPRIETARY TO MOLEX ELECTRONIC TECHNOLOGIES, LLC AND SHOULD NOT BE USED WITHOUT WRITTEN PERMISSION

DIMENSION UNITS

SCALE

MM 5:1

GENERAL TOLERANCES (UNLESS SPECIFIED)

ANGULAR TOL $\pm 1^\circ$

4 PLACES \pm

3 PLACES \pm

2 PLACES ± 0.100

1 PLACE ± 0.20

0 PLACES \pm

DRAFT WHERE APPLICABLE MUST REMAIN WITHIN DIMENSIONS

THIRD ANGLE PROJECTION

STATUS: Production
DRWN: Yann Chen
CHK'D: Gang Li
APPR: Colin Zhang

CURRENT REV DESC:

2023-10-20

2023-10-25

2023-10-30

DRAWING

A1-SIZE

SERIES

34824

MATERIAL NUMBER

CUSTOMER

GENERAL MARKET

SHEET NUMBER

1 OF 4

| | |
|-----|--|
| M16 | SHEET 1: ADDED TERMINAL SD-DRAWING 5600230800 IN NOTES 1-H SHEET 4: UPDATED CTX50 UNSEALED RCPT TERMINAL PART NUMBER AND STATUS |
| M15 | SHEET1: UPDATED NOTES INFORMATION |
| M14 | SHEET4: CHANGED RECYCLING CODE TO "XXXX" FOR DUAL ROW ONLY; WAS "PBT." |
| M13 | SHEET 4: UPDATED GM PNs FOR 20CKT |
| M12 | SHEET 4: UPDATE CTX50 BOM PNs FOR SMALL GRIP TERMINAL |
| M11 | SHEET 1: REMOVED NOTE 1h SHEET 4: REMOVED PBT RCPT MATING COMPONENTS FOR 16-24CKT ON BOM TABLE |
| M10 | SHEET 1: ADDED NOTE 1h SHEET 4: ADDED NOTE SYMBOL TO BOM |
| M9 | DRAWING REMASTERED SHEET 1: CORRECTED NOTE 2 SHEET 2-3: UPDATED VIEWS-NO GEOMETRY CHANGES SHEET 4: ADDED TAPE AND REEL P/N'S TO BOM |
| M8 | DIMENSION ADDED ON SHEET 3 |
| M6 | ADDED DATUMS AND DATUM NOTE |
| M5 | REMASTERING DRAWING |
| M2 | UPDATED 24 CKT |
| REV | DESCRIPTION |

molex

MINI50 RECEPTACLE WITH CPA SALES DRAWING

PRODUCT SALES DRAWING

DOCUMENT NUMBER

SD-34824-003

DOC TYPE

PSD

DOC PART

001

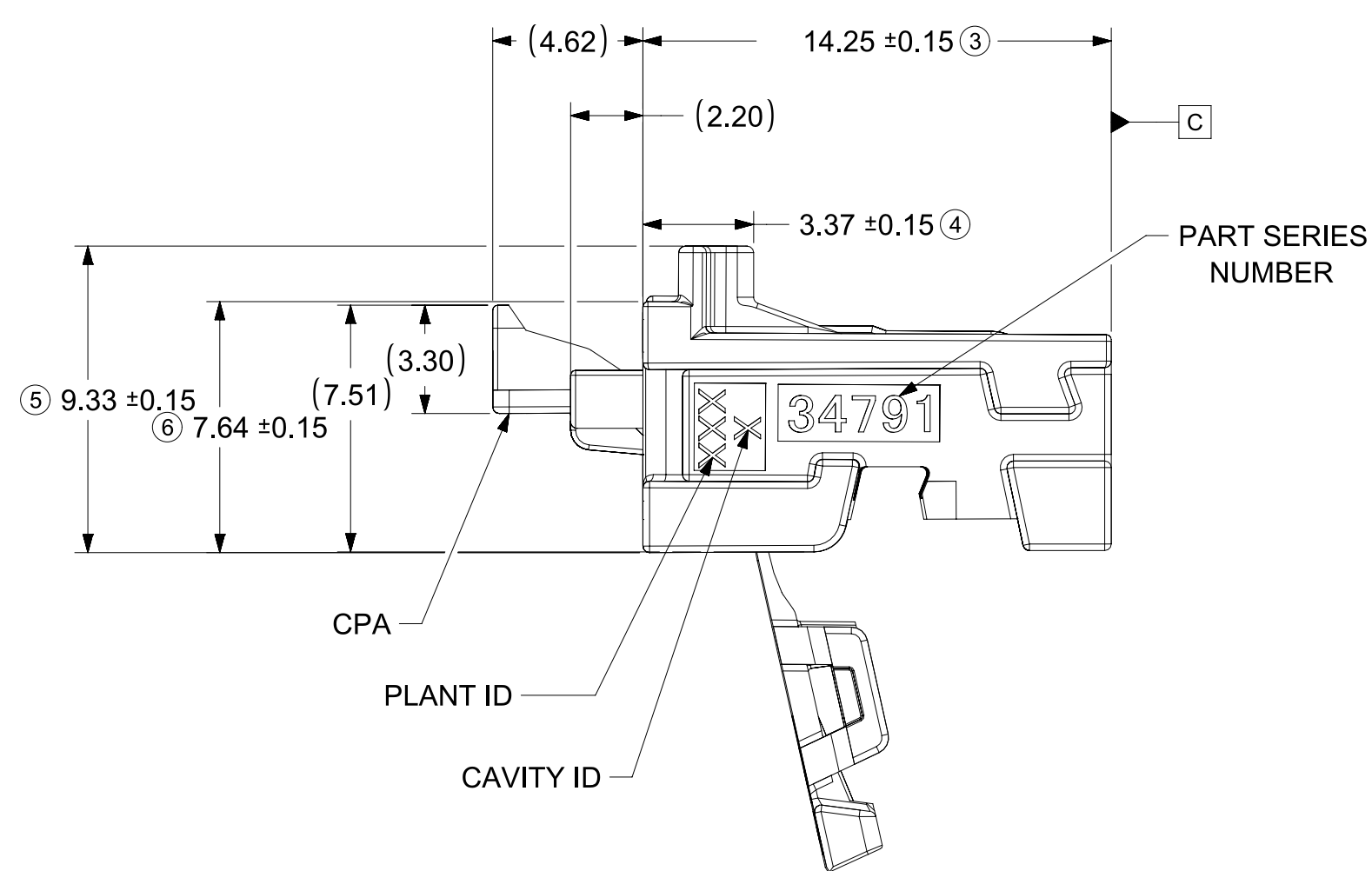
REVISION

M16

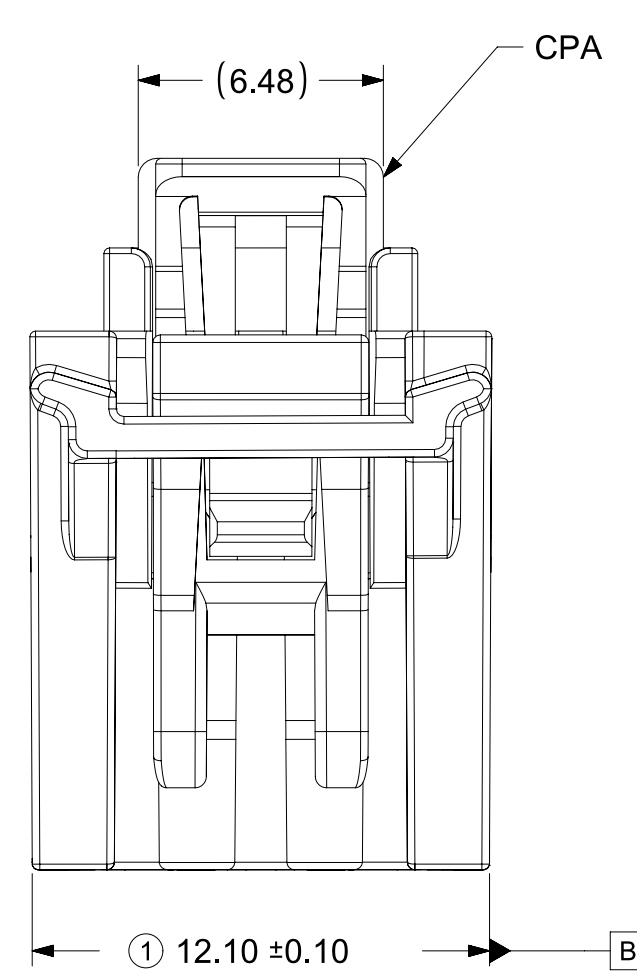
SHEET NUMBER

1 OF 4

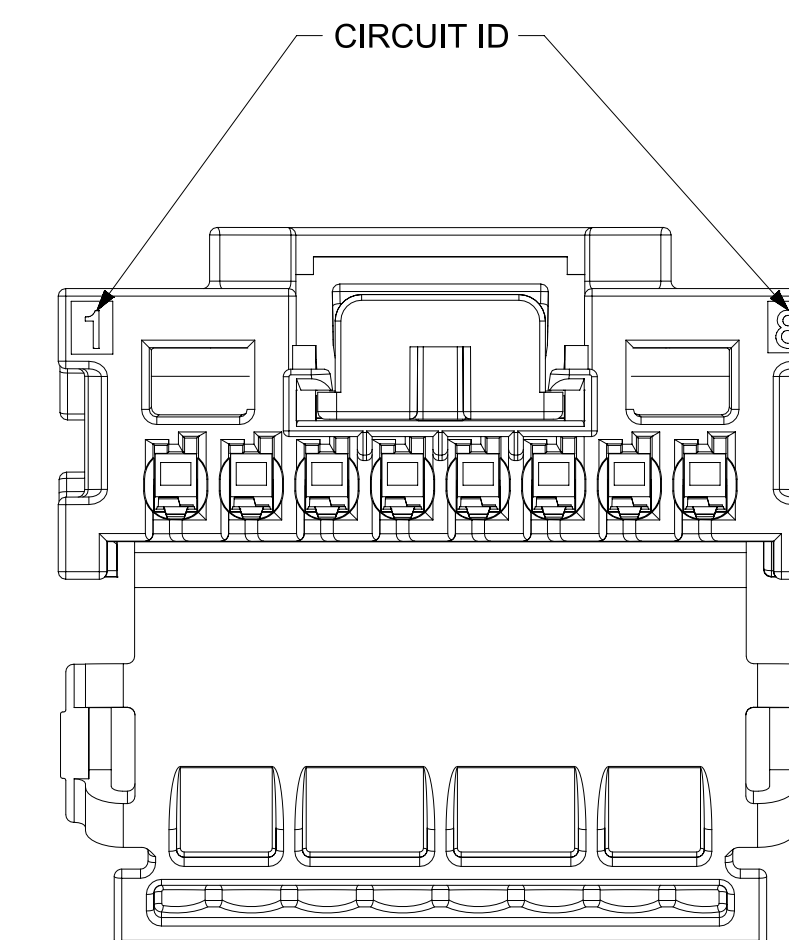
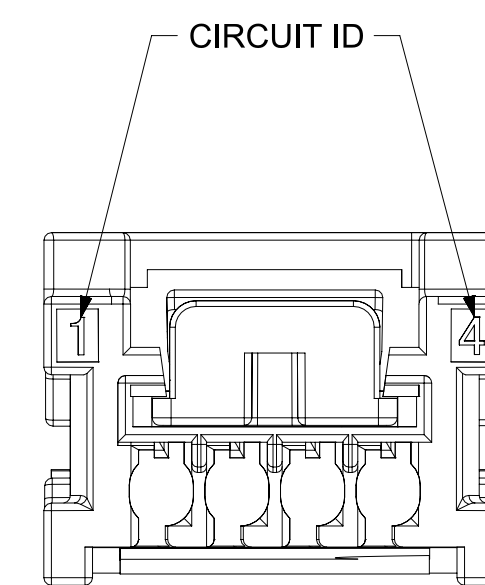
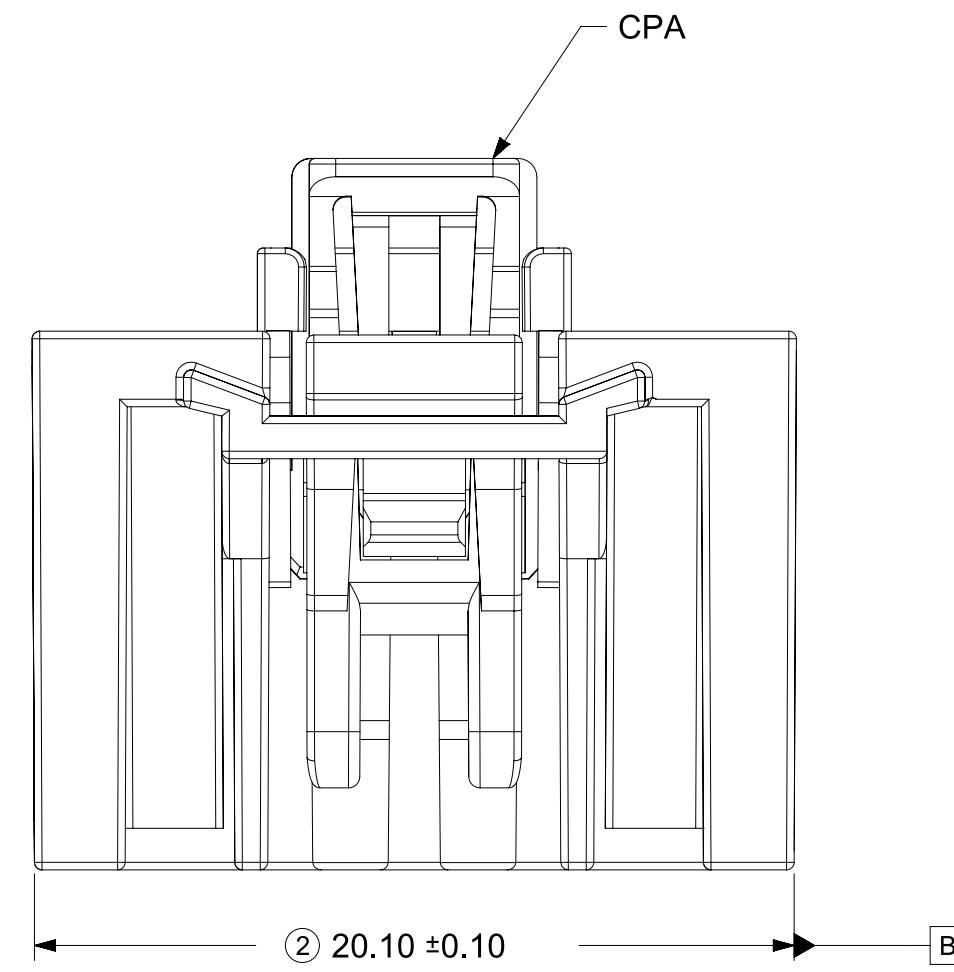
4CKT BRIDGE OPTION WITH CPA IN PRE-LOCK



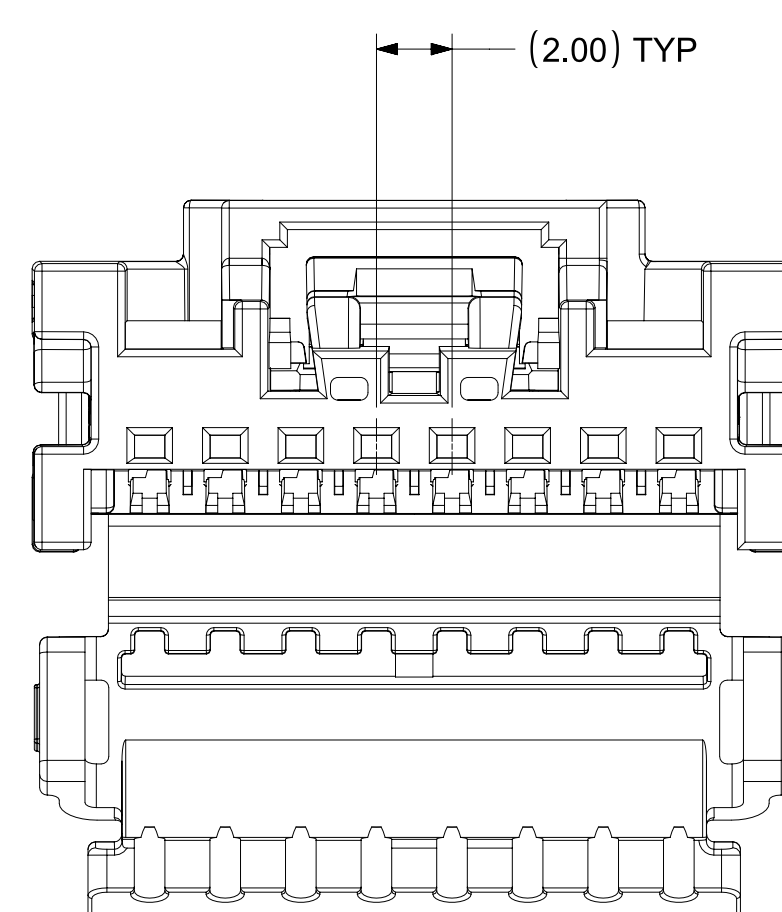
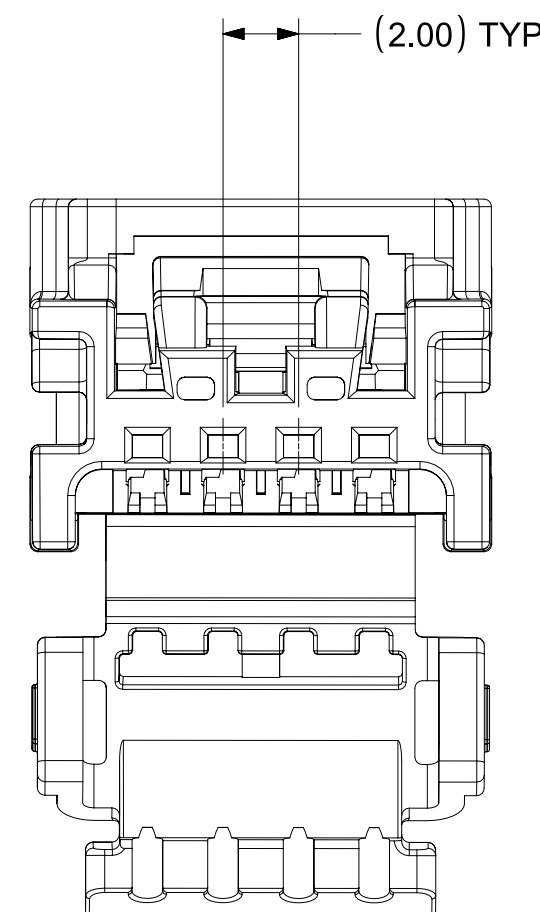
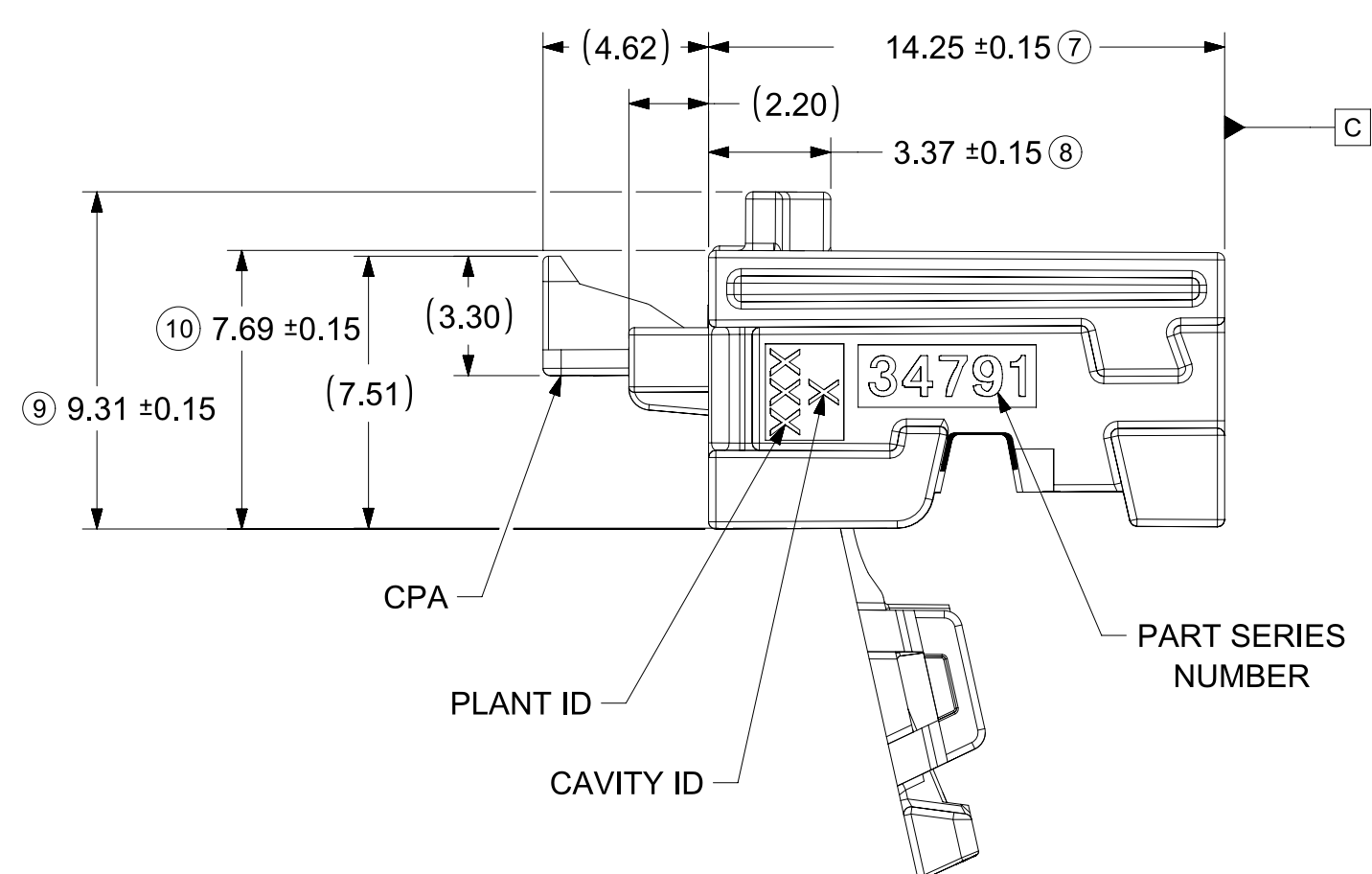
4CKT USCAR COMPATIBLE RECEPTACLE WITH CPA



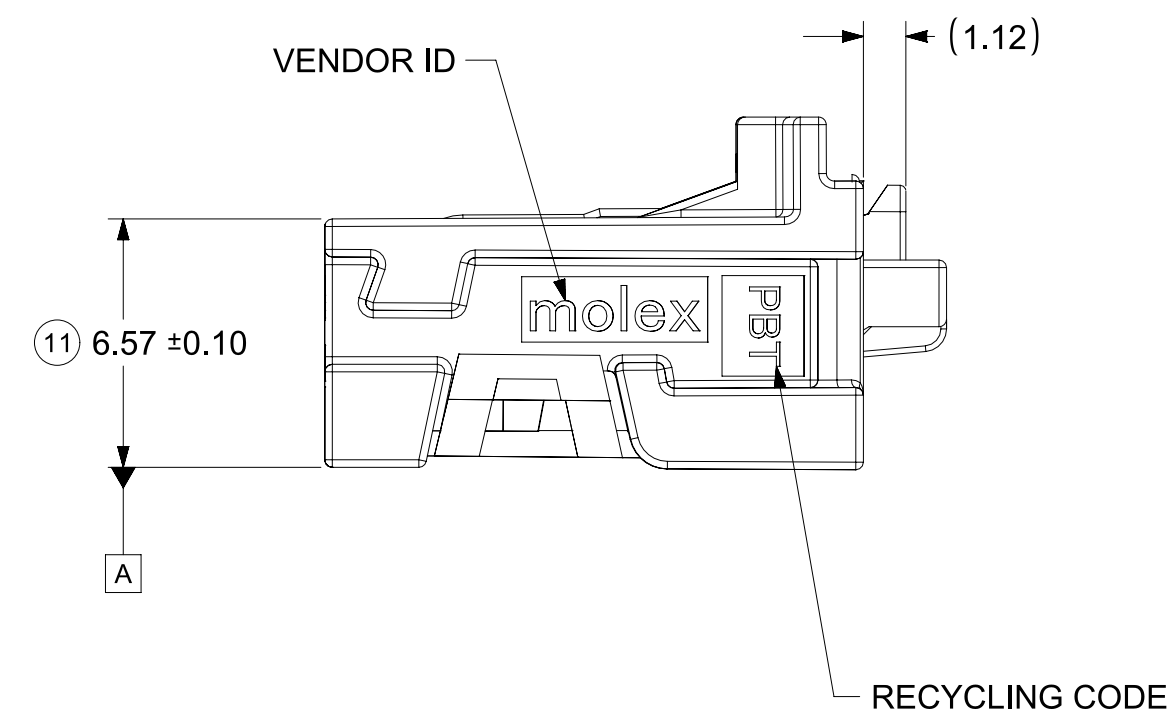
8CKT USCAR COMPATIBLE RECEPTACLE WITH CPA



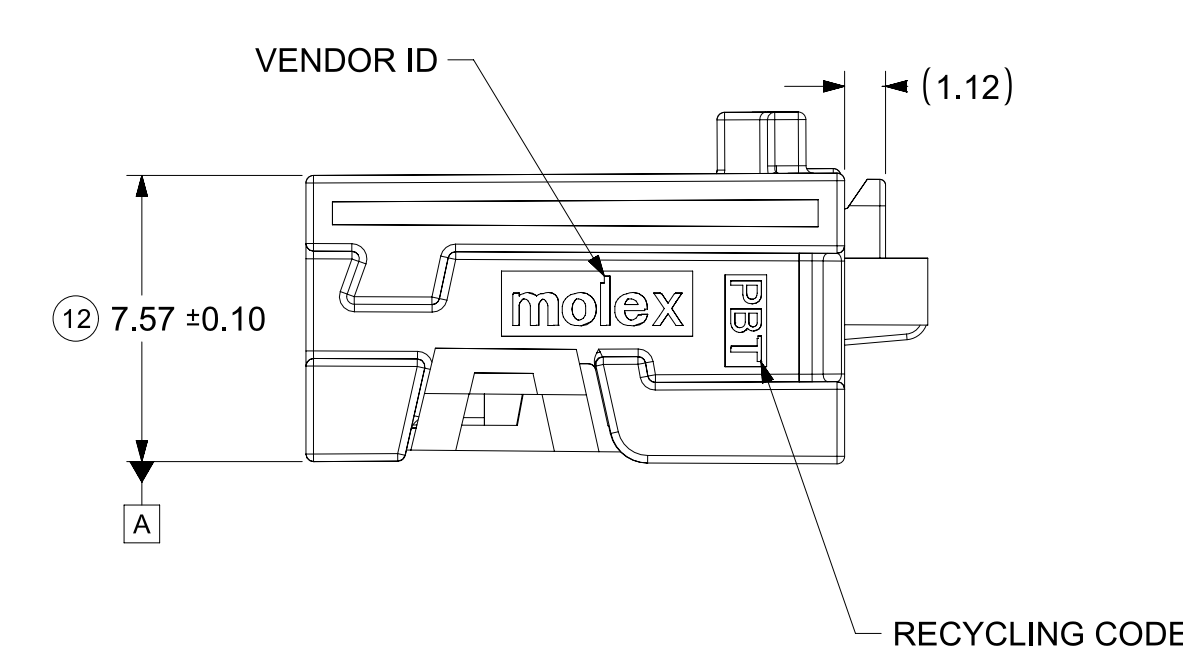
8CKT BRIDGE OPTION WITH CPA IN PRE-LOCK



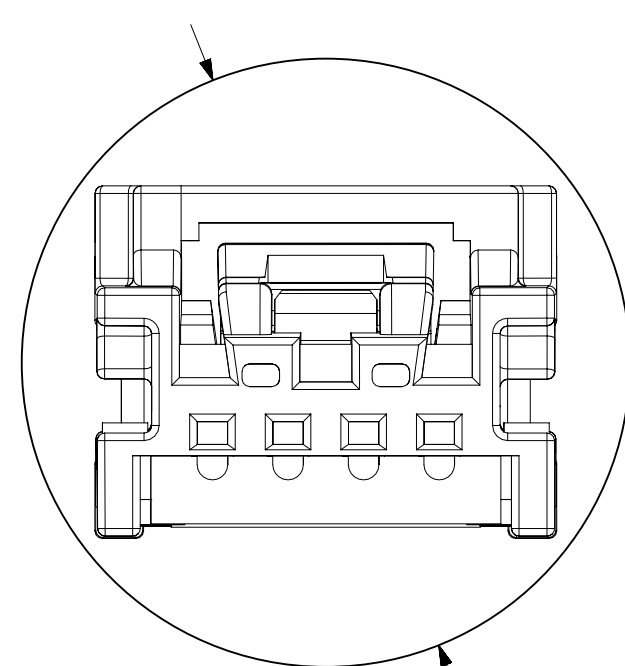
4CKT HINGE CLOSED CPA IN FINAL POSITION



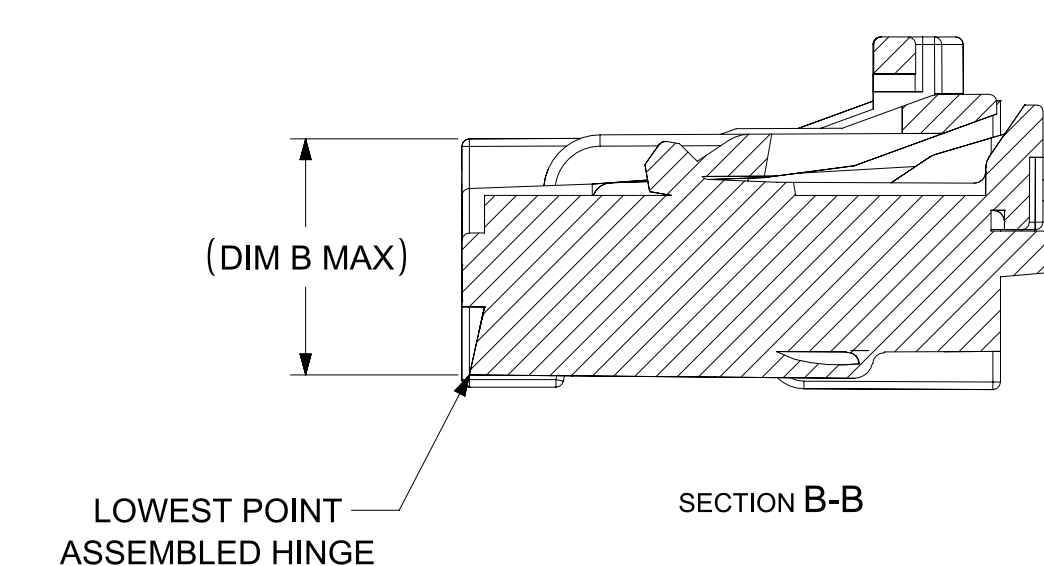
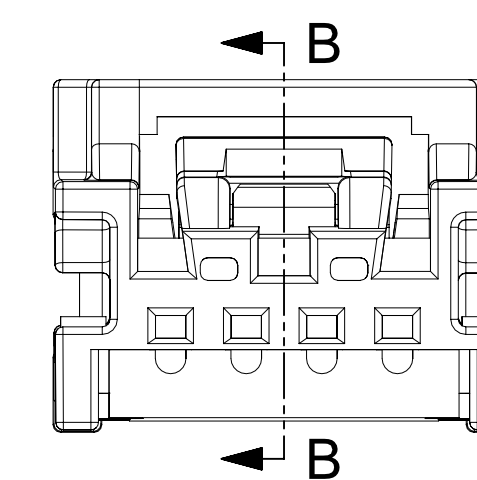
8CKT HINGE CLOSED CPA IN FINAL POSITION



4CKT HINGE CLOSED



PASS THRU DIAMETER
∅ DIM A
1MM ADDITIONAL CLEARANCE
ADDED TO TIGHTEST FIT CIRCLE



| CHARTED DIMENSIONS | | |
|--------------------|-----------|------|
| DESCRIPTION | DIMENSION | |
| | A | B |
| 4 CKT | 16.09 | 6.77 |
| 8 CKT | 22.52 | 7.77 |
| 12 CKT | 23.18 | 8.47 |
| 16 CKT | 26.87 | 8.47 |
| 20 CKT | 30.65 | 8.47 |
| 24 CKT | 34.47 | 8.47 |

| | | | | | |
|--|---------------------------------------|---|--------------------------------|-------------------|--|
| FUNCTIONAL SYMBOLS | | THIS DRAWING CONTAINS INFORMATION THAT IS PROPRIETARY TO MOLEX ELECTRONIC TECHNOLOGIES, LLC AND SHOULD NOT BE USED WITHOUT WRITTEN PERMISSION | | CURRENT REV DESC: | |
| $\frac{E}{A} = 0$ | DIMENSION UNITS | SCALE | | | |
| $\frac{E}{C} = 0$ | MM | 5:1 | | | |
| $\frac{E}{P} = 0$ | GENERAL TOLERANCES (UNLESS SPECIFIED) | | | | |
| DIVISIONAL SYMBOLS | | ANGULAR TOL | ± 1' | | |
| | | 4 PLACES | ± | | |
| | | 3 PLACES | ± | | |
| | | 2 PLACES | ± 0.100 | | |
| | | 1 PLACE | ± 0.20 | | |
| | | 0 PLACES | ± | | |
| DRAFT WHERE APPLICABLE MUST REMAIN WITHIN DIMENSIONS | | THIRD ANGLE PROJECTION | STATUS: Production | | |
| | | | DRWN: Yann Chen | | |
| | | | CHK'D: Gang Li | | |
| | | | APPR: Colin Zhang | | |
| | | | 2023-10-20 | | |
| | | | 2023-10-25 | | |
| | | | 2023-10-30 | | |
| | | | DOCUMENT NUMBER | | |
| | | | SD-34824-003 | | |
| | | | DOC TYPE DOC PART REVISION | | |
| | | | PSD 001 M16 | | |
| | | | PRODUCT SALES DRAWING | | |
| | | | MATERIAL NUMBER | | |
| | | | 34824 | | |
| | | | CUSTOMER | | |
| | | | GENERAL MARKET | | |
| | | | SHEET NUMBER | | |
| | | | 2 OF 4 | | |

molex

MINI50 RECEPTACLE WITH CPA SALES DRAWING

PRODUCT SALES DRAWING

2023-10-20 DOCUMENT NUMBER

SD-34824-003

DOC TYPE | DOC PART | REVISION

PSD | 001 | M16

MATERIAL NUMBER

34824

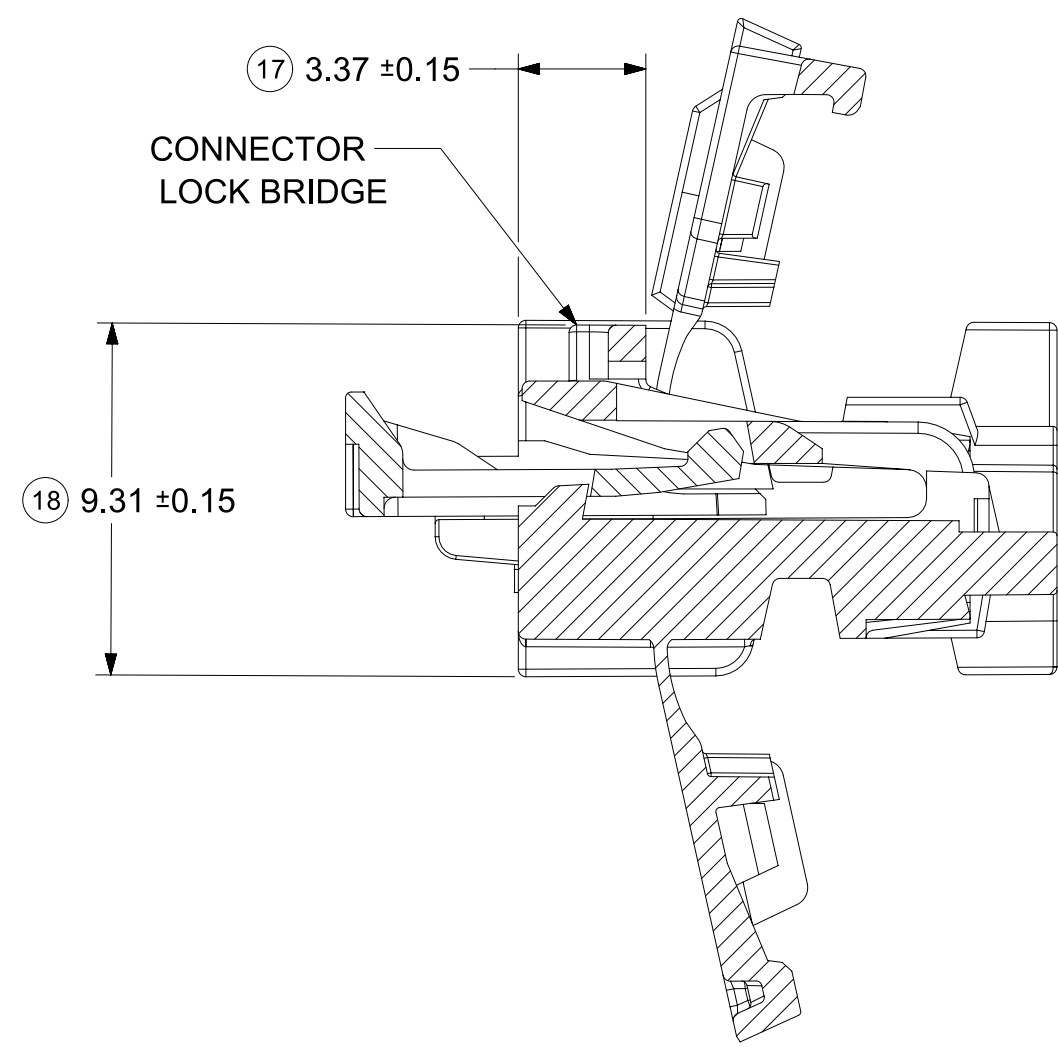
CUSTOMER

GENERAL MARKET

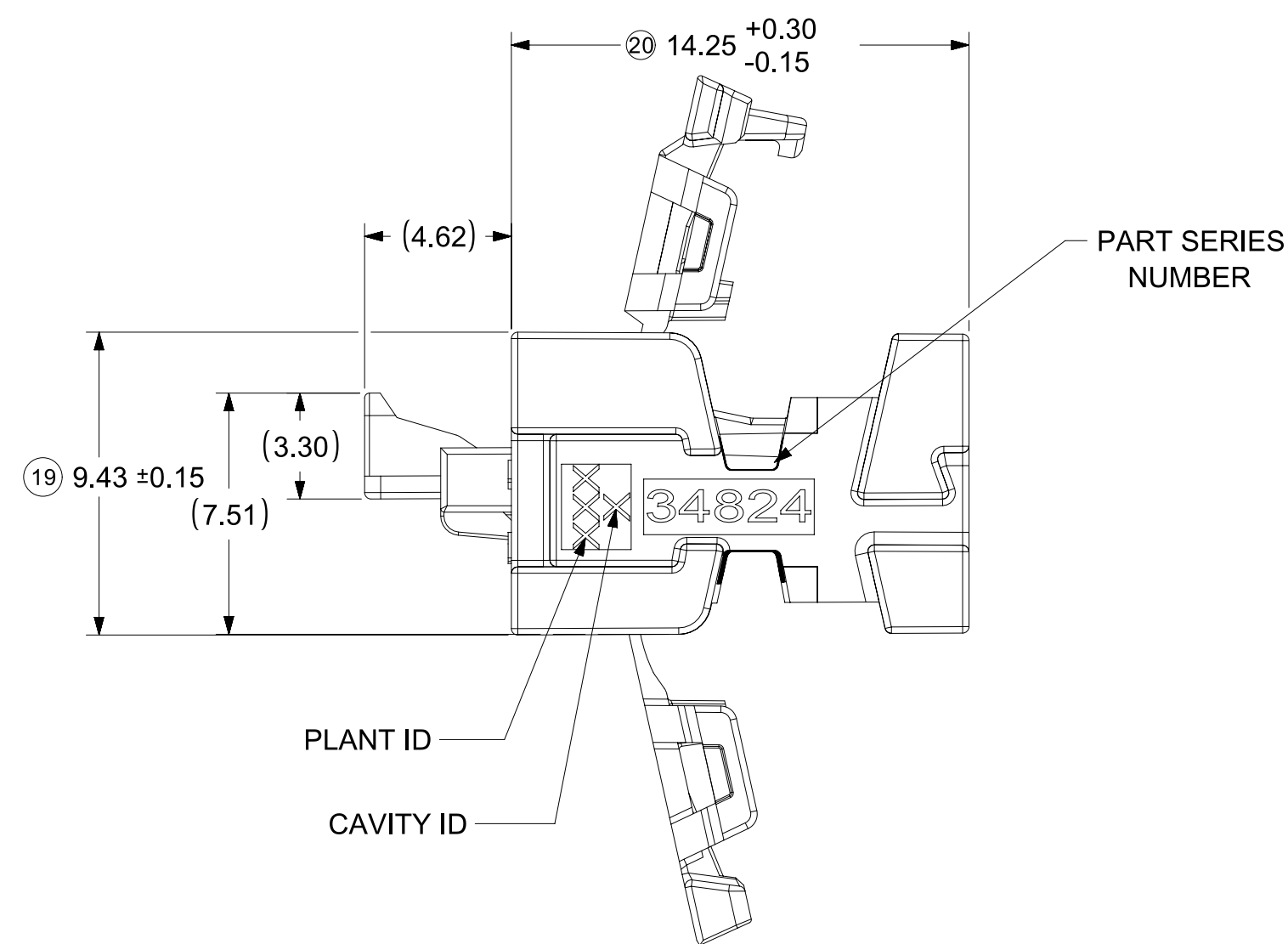
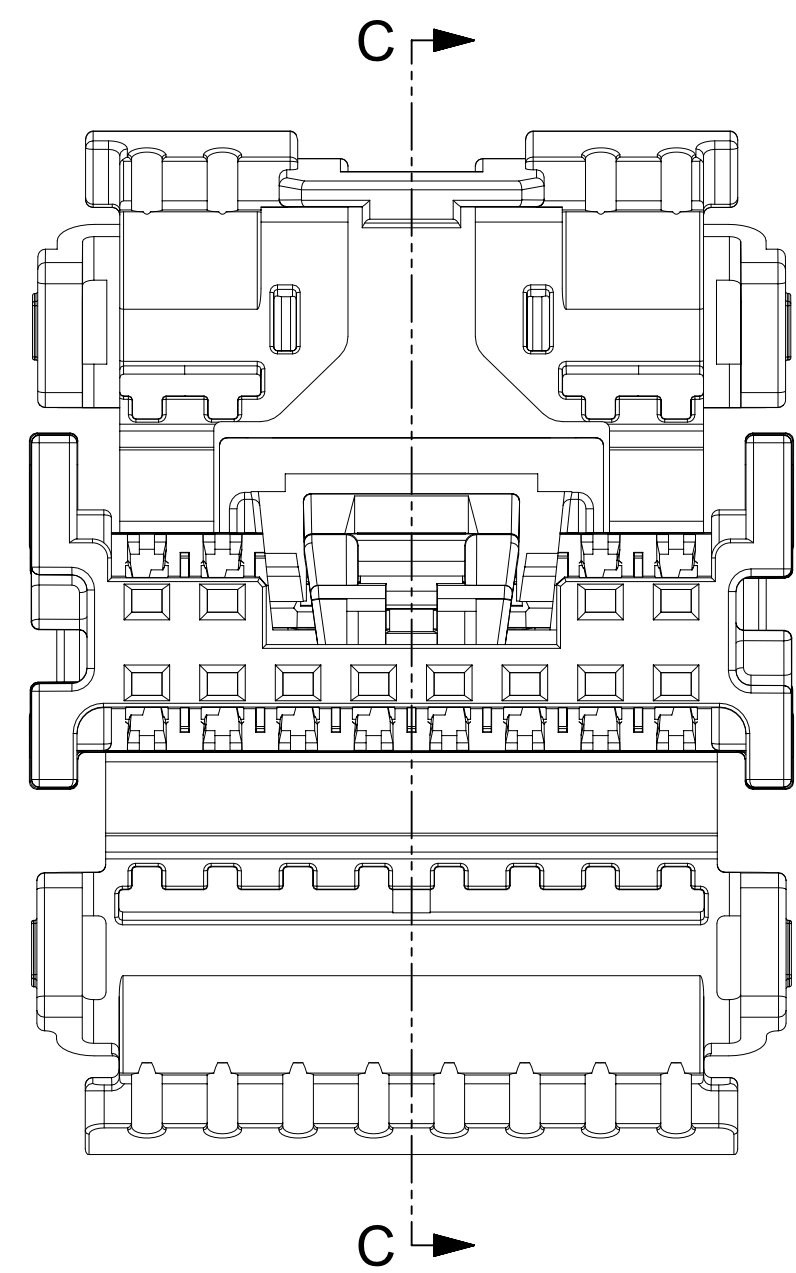
SHEET NUMBER

2 OF 4

DUAL ROW LOCK BRIDGE OPTION

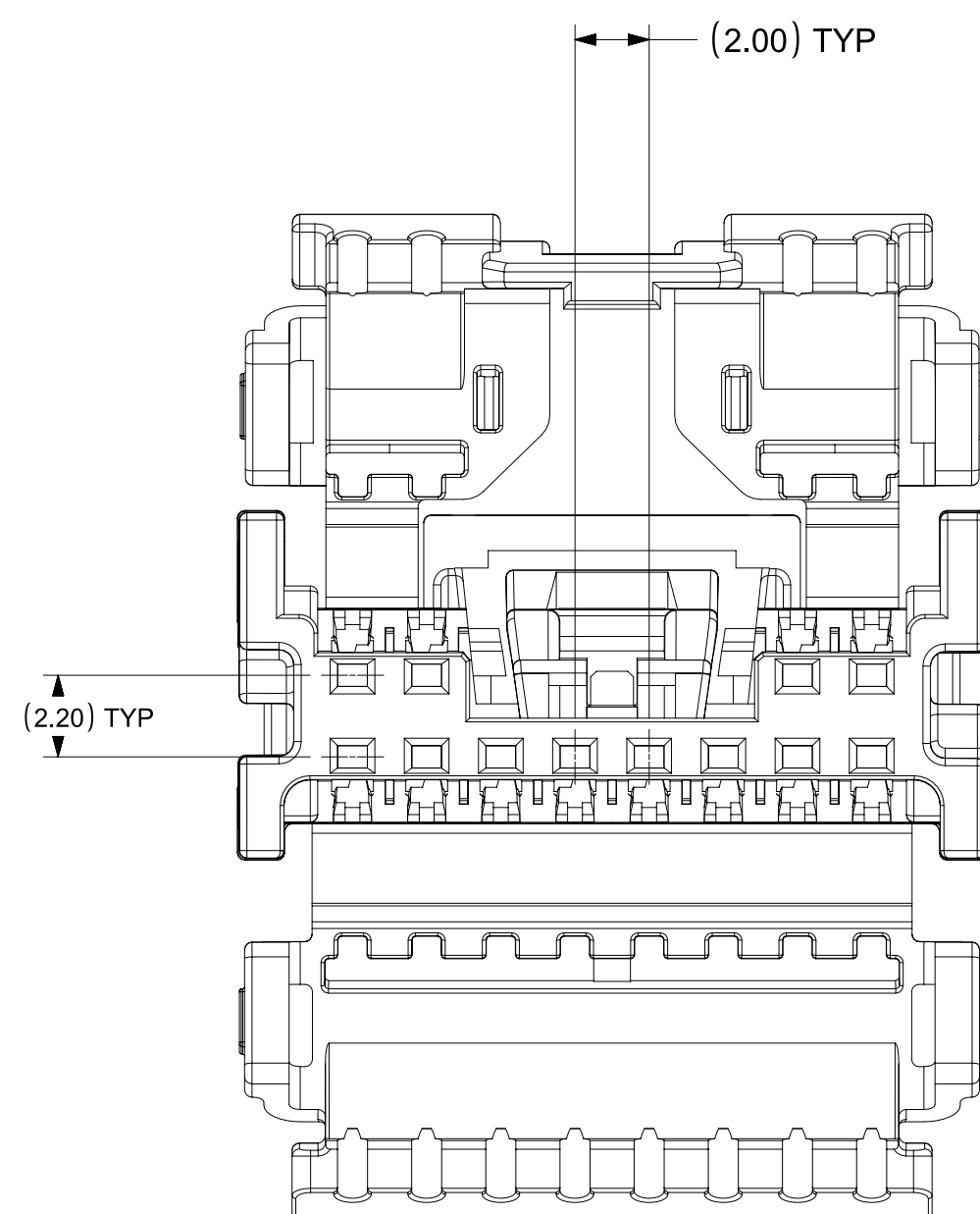
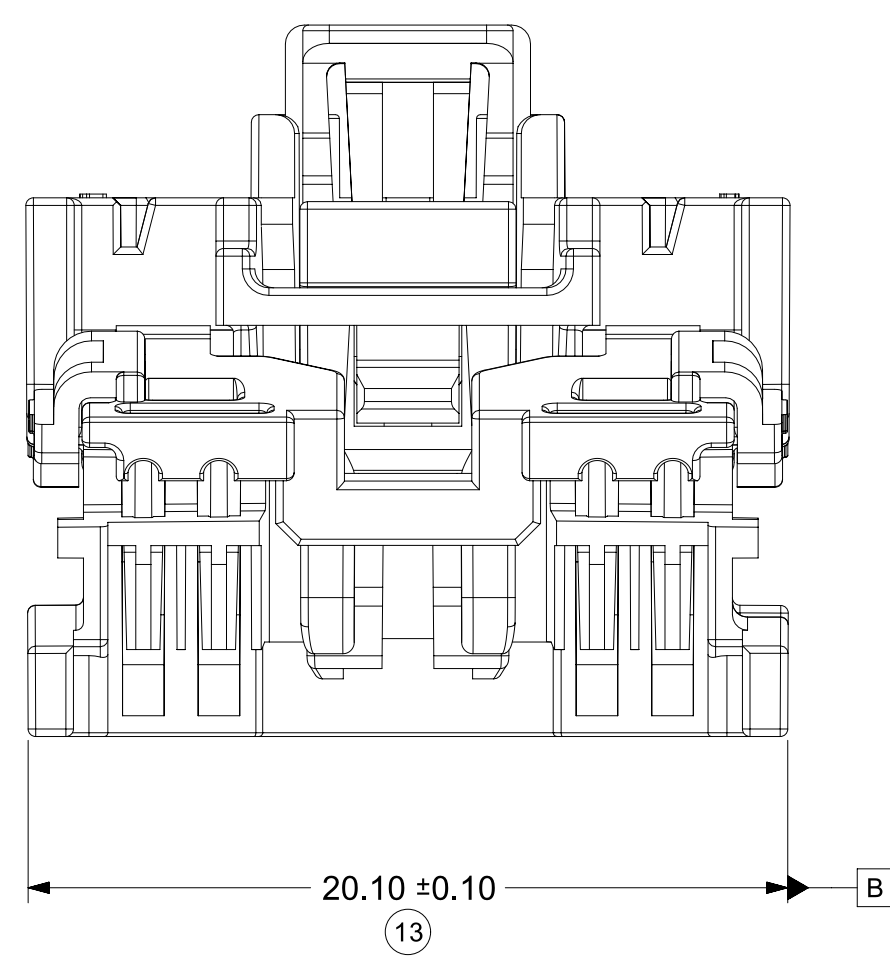


SECTION C-C

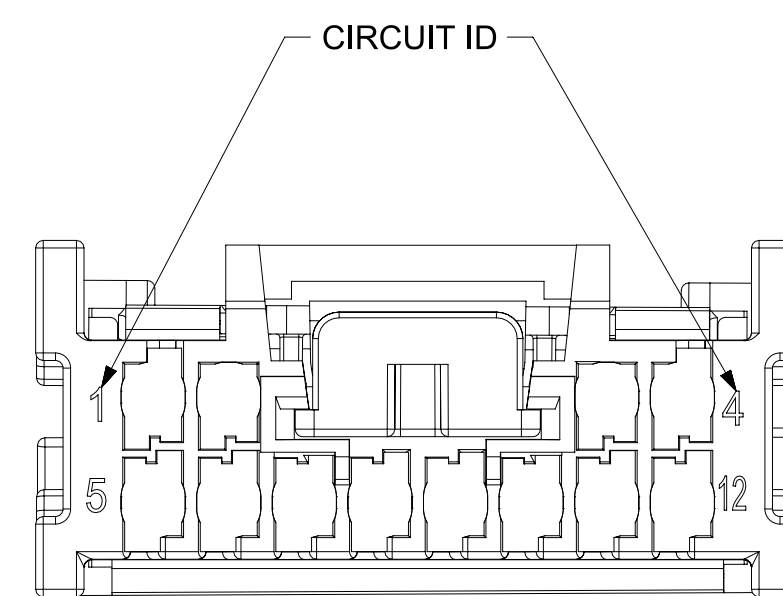
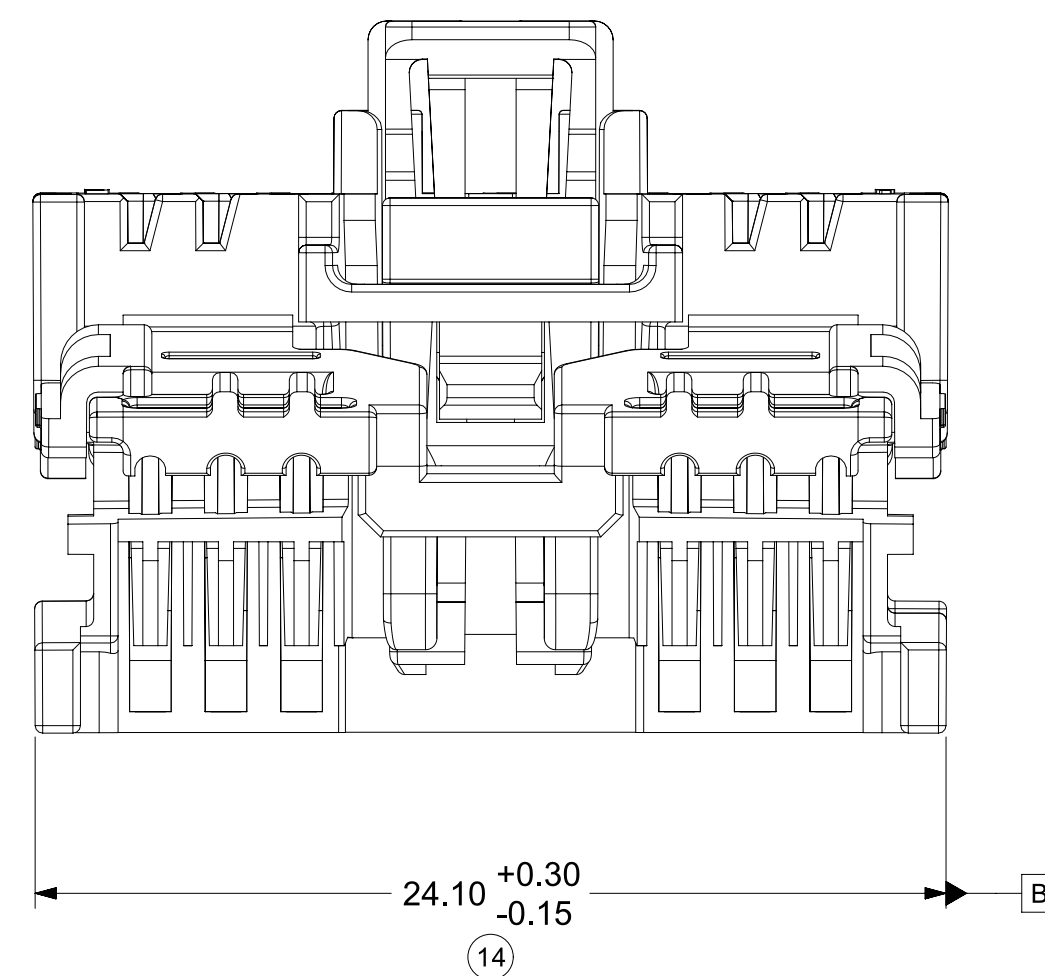


*NOTE: DIM 20 TOLERANCE IS +0.20/-0.15 FOR P/N 34824-2244/5/6

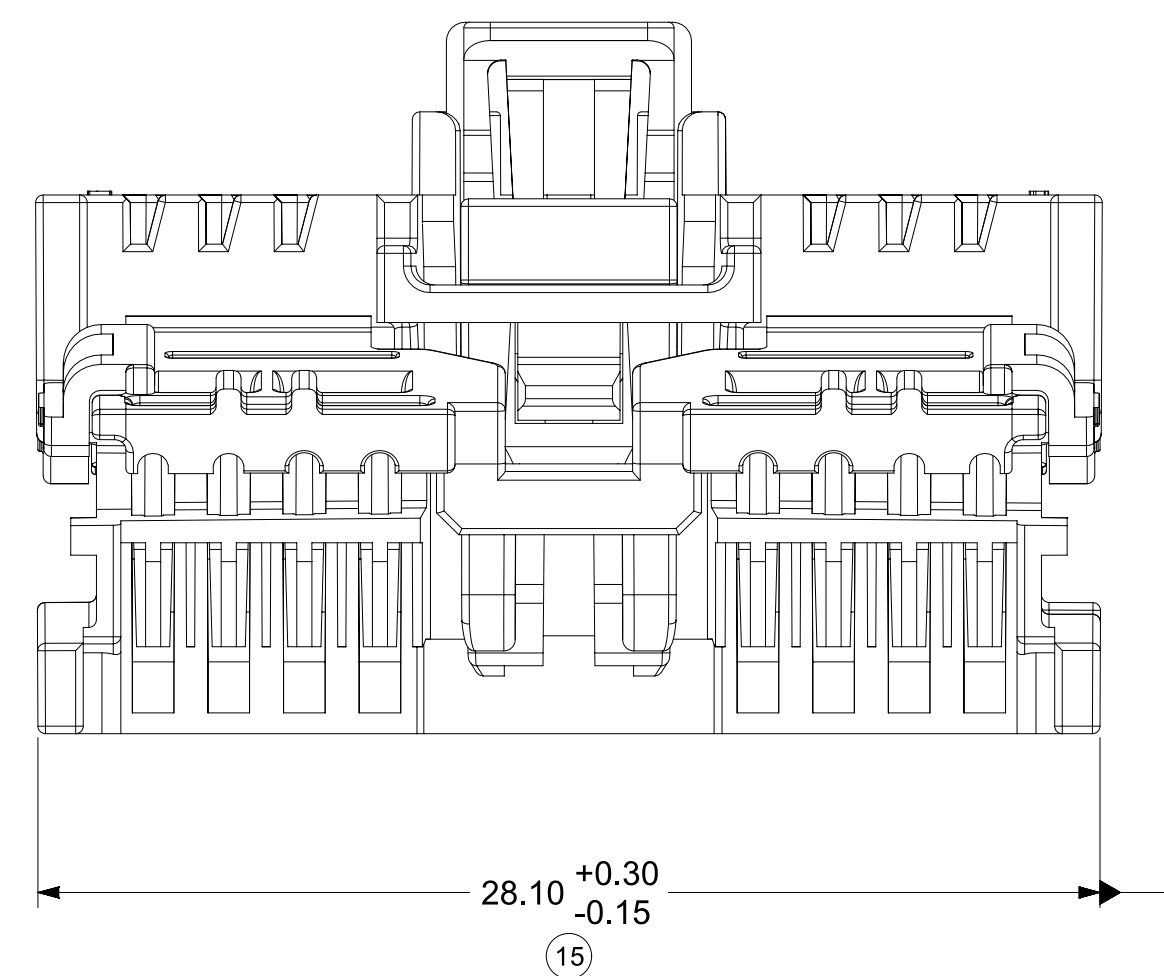
12CKT USCAR COMPATIBLE RECEPTACLE WITH CPA



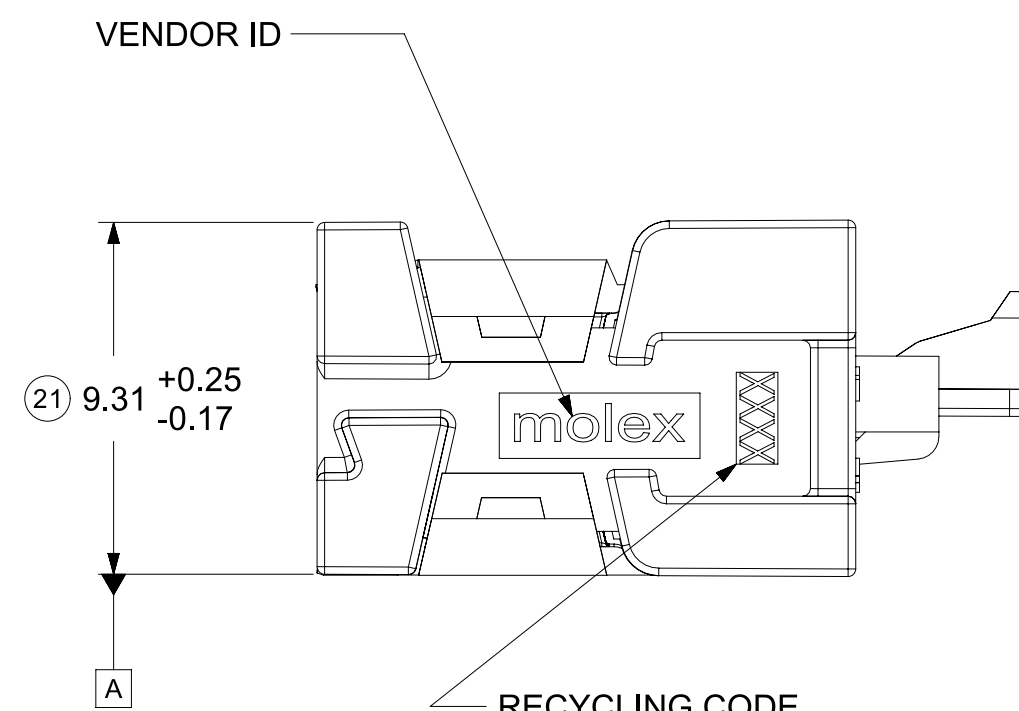
16CKT USCAR COMPATIBLE RECEPTACLE WITH CPA



20CKT USCAR COMPATIBLE RECEPTACLE WITH CPA

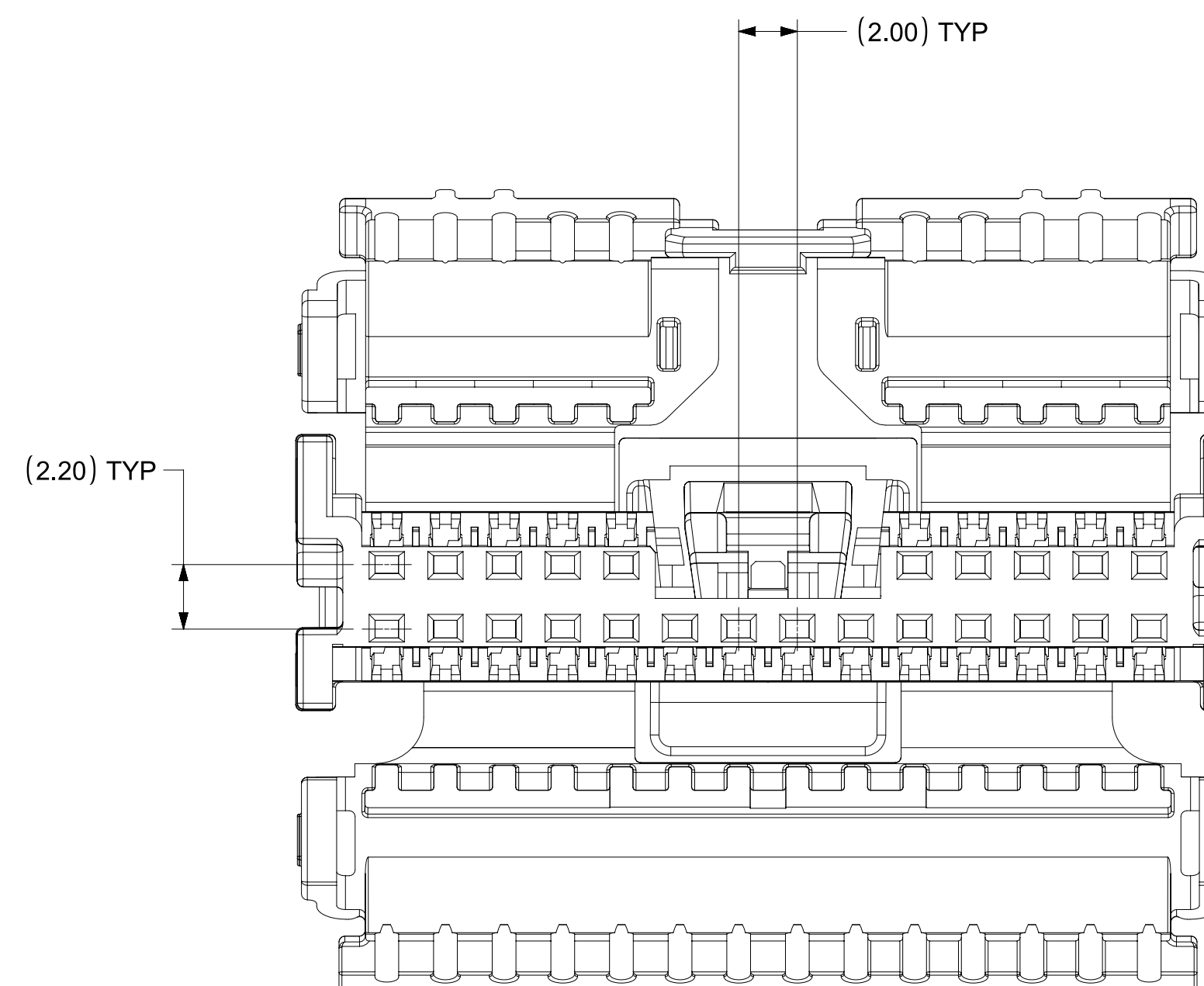
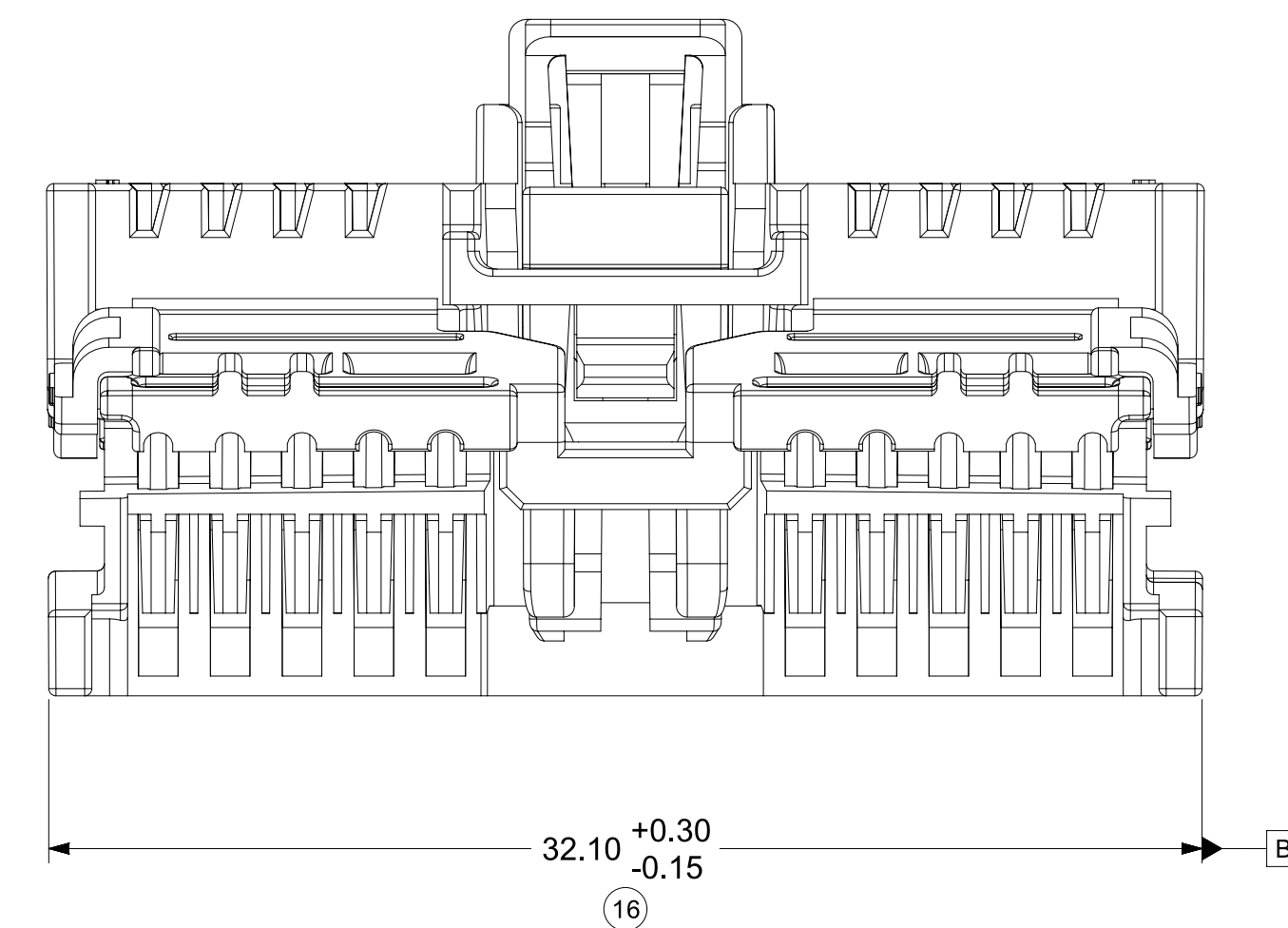


HINGES CLOSED



*NOTE: DATUMS A AND C ARE SIMILAR FOR 12-24CKT CONNECTORS

24CKT USCAR COMPATIBLE RECEPTACLE WITH CPA



| | | | | |
|---|---|------------------------|-------------------|--------------------------------|
| FUNCTIONAL SYMBOLS E = 0 F = 0 P = 0 DIVISIONAL SYMBOLS | THIS DRAWING CONTAINS INFORMATION THAT IS PROPRIETARY TO MOLEX ELECTRONIC TECHNOLOGIES, LLC AND SHOULD NOT BE USED WITHOUT WRITTEN PERMISSION | | CURRENT REV DESC: | |
| | DIMENSION UNITS | SCALE | | |
| | MM | 5:1 | | |
| | GENERAL TOLERANCES (UNLESS SPECIFIED) | | | |
| ANGULAR TOL ± 1° | | | | |
| 4 PLACES ± | | | | |
| 3 PLACES ± | | | | |
| 2 PLACES ± 0.100 | | | | |
| 1 PLACE ± 0.20 | | | | |
| 0 PLACES ± | | | | |
| DRAFT WHERE APPLICABLE MUST REMAIN WITHIN DIMENSIONS | | THIRD ANGLE PROJECTION | DRAWING | SERIES |
| | | | A1-SIZE | 34824 |
| | | STATUS: Production | | 2023-10-20 |
| | | DRWN: Yann Chen | | 2023-10-25 |
| | | CHK'D: Gang Li | | 2023-10-30 |
| | | APPR: Colin Zhang | | |
| | | DOCUMENT NUMBER | | DOC TYPE DOC PART REVISION |
| | | SD-34824-003 | | PSD 001 M16 |
| | | MATERIAL NUMBER | | CUSTOMER |
| | | GENERAL MARKET | | SHEET NUMBER |
| | | | | 3 OF 4 |

molex

MINI50 RECEPTACLE WITH CPA SALES DRAWING

PRODUCT SALES DRAWING

SINGLE ROW ASSEMBLY (RECEPTACLE WITH CPA)

| MOLEX MATERIAL NUMBER BULK PACKAGING PK-31301-538 | GENERAL MOTORS PART NUMBER | CONFIGURATION | MATERIAL TYPE | CIRCUIT | POL | COLOR | MATING COMPONENT | | | | | | | |
|---|-------------------------------|---------------|------------------|---------|-----|------------|---|--------------------------------|--------------------------------|--------------------------------|--|--------------------------------|--------------------------------|--|
| | | | | | | | SURFACE MOUNT TECHNOLOGY (SMT) HEADER | | VERTICAL THRU HOLE HEADER | | | RIGHT ANGLE THRU HOLE HEADER | | |
| | | | | | | | TAPE AND REEL PACKAGING PK-31301-786 | TUBE PACKAGING PK-31301-688 | TRAY PACKAGING PK-31301-440 | TUBE PACKAGING PK-31301-688 | TAPE AND REEL PACKAGING PK-47799-0001 | TRAY PACKAGING PK-31301-440 | TUBE PACKAGING PK-31301-688 | TAPE AND REEL PACKAGING PK-47799-0001 |
| 34791-5140 | 13507113 | USCAR | PBT | 4 | A | BLACK | 34912-8040 | 34912-9040 | 34792-0040 | 34792-9040 | 34792-8040 | 34793-0040 | 34793-9040 | 34793-8040 |
| 34791-5141 | 13507115 | USCAR | | 4 | B | LIGHT GRAY | 34912-8041 | 34912-9041 | 34792-0041 | 34792-9041 | 34792-8041 | 34793-0041 | 34793-9041 | 34793-8041 |
| 34791-5142 | 13507116 | USCAR | | 4 | C | DARK GRAY | 34912-8042 | 34912-9042 | 34792-0042 | 34792-9042 | 34792-8042 | 34793-0042 | 34793-9042 | 34793-8042 |
| 34791-5143 | 13507117 | USCAR | | 4 | D | GREEN | 34912-8043 | 34912-9043 | 34792-0043 | 34792-9043 | 34792-8043 | 34793-0043 | 34793-9043 | 34793-8043 |
| 34791-5180 | 13507118 | USCAR | | 8 | A | BLACK | 34912-8080 | 34912-9080 | 34792-0080 | 34792-9080 | 34792-8080 | 34793-0080 | 34793-9080 | 34793-8080 |
| 34791-5181 | 13507119 | USCAR | | 8 | B | LIGHT GRAY | 34912-8081 | 34912-9081 | 34792-0081 | 34792-9081 | 34792-8081 | 34793-0081 | 34793-9081 | 34793-8081 |
| 34791-5182 | 13507120 | USCAR | | 8 | C | DARK GRAY | 34912-8082 | 34912-9082 | 34792-0082 | 34792-9082 | 34792-8082 | 34793-0082 | 34793-9082 | 34793-8082 |

DUAL ROW ASSEMBLY (RECEPTACLE WITH CPA)

| MOLEX MATERIAL NUMBER BULK PACKAGING PK-31301-538 | GENERAL MOTORS PART NUMBER | CONFIGURATION | MATERIAL TYPE | CIRCUIT | POL | COLOR | MATING COMPONENT | | | | | | | |
|---|-------------------------------|---------------|------------------|---------|-----------|------------|---|--------------------------------|--------------------------------|--------------------------------|--|--------------------------------|--------------------------------|--|
| | | | | | | | SURFACE MOUNT TECHNOLOGY (SMT) HEADER | | VERTICAL THRU HOLE HEADER | | | RIGHT ANGLE THRU HOLE HEADER | | |
| | | | | | | | TAPE AND REEL PACKAGING PK-31301-786 | TUBE PACKAGING PK-31301-688 | TRAY PACKAGING PK-31301-440 | TUBE PACKAGING PK-31301-688 | TAPE AND REEL PACKAGING PK-47799-0001 | TRAY PACKAGING PK-31301-440 | TUBE PACKAGING PK-31301-688 | TAPE AND REEL PACKAGING PK-47799-0001 |
| 34824-2164 | N/A | USCAR | ECOPAXX | 16 | A | BLACK | 34897-8160 | 34897-9160 | 34825-0160 | 34825-9160 | 34825-8160 | 34826-0160 | 34826-9160 | 34826-8160 |
| 34824-2165 | N/A | USCAR | | 16 | B | LIGHT GRAY | 34897-8161 | 34897-9161 | 34825-0161 | 34825-9161 | 34825-8161 | 34826-0161 | 34826-9161 | 34826-8161 |
| 34824-2166 | N/A | USCAR | | 16 | C | DARK GRAY | 34897-8162 | 34897-9162 | 34825-0162 | 34825-9162 | 34825-8162 | 34826-0162 | 34826-9162 | 34826-8162 |
| 34824-2204 | 13544280 | USCAR | | 20 | A | BLACK | 34897-8200 | 34897-9200 | 34825-0200 | 34825-9200 | 34825-8200 | 34826-0200 | 34826-9200 | 34826-8200 |
| 34824-2205 | 13544281 | USCAR | | 20 | B | LIGHT GRAY | 34897-8201 | 34897-9201 | 34825-0201 | 34825-9201 | 34825-8201 | 34826-0201 | 34826-9201 | 34826-8201 |
| 34824-2206 | 13544282 | USCAR | | 20 | C | DARK GRAY | 34897-8202 | 34897-9202 | 34825-0202 | 34825-9202 | 34825-8202 | 34826-0202 | 34826-9202 | 34826-8202 |
| 34824-2244 | N/A | USCAR | | 24 | A | BLACK | 34897-8240 | 34897-9240 | 34825-0240 | 34825-9240 | 34825-8240 | 34826-0240 | 34826-9240 | 34826-8240 |
| 34824-2245 | N/A | USCAR | | 24 | B | LIGHT GRAY | 34897-8241 | 34897-9241 | 34825-0241 | 34825-9241 | 34825-8241 | 34826-0241 | 34826-9241 | 34826-8241 |
| 34824-2246 | N/A | USCAR | 24 | C | DARK GRAY | 34897-8242 | 34897-9242 | 34825-0242 | 34825-9242 | 34825-8242 | 34826-0242 | 34826-9242 | 34826-8242 | |
| 34824-5124 | 13507121 | USCAR | PBT | 12 | A | BLACK | 34897-8120 | 34897-9120 | 34825-0124 | 34825-9124 | 34825-8124 | 34826-0124 | 34826-9124 | 34826-8124 |
| 34824-5125 | 13507122 | USCAR | | 12 | B | LIGHT GRAY | 34897-8121 | 34897-9121 | 34825-0125 | 34825-9125 | 34825-8125 | 34826-0125 | 34826-9125 | 34826-8125 |
| 34824-5126 | 13507114 | USCAR | | 12 | C | DARK GRAY | 34897-8122 | 34897-9122 | 34825-0126 | 34825-9126 | 34825-8126 | 34826-0126 | 34826-9126 | 34826-8126 |

*NOTE: CONFIGURATION CONSISTS OF AN EXPANSION OF THE 12CKT USCAR-COMPATIBLE CONFIGURATION TO ALLOW FOR 16, 20, AND 24 CIRCUITS

MINI50 CPA (APPLIED TO SINGLE & DUAL ROW BRIDGED RECEPTACLES)

| MATERIAL NUMBER | COLOR | MATING COMPONENT |
|-----------------|---------|------------------|
| 34824-7000 | NATURAL | SEE CHARTS ABOVE |

CTX50 UNSEALED RECEPTACLE TERMINALS

| PART NUMBER | | MATERIAL | WIRE GAGE (mm ²) | GRIP | STATUS |
|-------------------------|--------------------------|--------------|---------------------------------|--------|---------------------------|
| D-WIND (LEFT PAYOFF) | B-WIND (RIGHT PAYOFF) | | | | |
| 560023-0448 | 560023-0450 | COPPER ALLOY | 0.35 | LARGE | PLAN OBSOLESCENCE IN 2024 |
| 560023-0421 | 560023-0423 | COPPER ALLOY | 0.22 | MEDIUM | PLAN OBSOLESCENCE IN 2024 |
| 560023-0444 | 560023-0445 | COPPER ALLOY | 0.13 | SMALL | PLAN OBSOLESCENCE IN 2024 |
| 560023-0748 | 560023-0750 | COPPER ALLOY | 0.35 | LARGE | SALEABLE |
| 560023-0721 | 560023-0723 | COPPER ALLOY | 0.22 | MEDIUM | SALEABLE |
| 560023-0744 | 560023-0745 | COPPER ALLOY | 0.13 | SMALL | SALEABLE |

| | | | |
|---|---|---|---|
| FUNCTIONAL SYMBOLS FA = 0 FC = 0 FP = 0 | THIS DRAWING CONTAINS INFORMATION THAT IS PROPRIETARY TO MOLEX ELECTRONIC TECHNOLOGIES, LLC AND SHOULD NOT BE USED WITHOUT WRITTEN PERMISSION DIMENSION UNITS: MM SCALE: 1:1 GENERAL TOLERANCES (UNLESS SPECIFIED) ANGULAR TOL ± 1' 4 PLACES ± 3 PLACES ± 2 PLACES ± 0.100 1 PLACE ± 0.20 0 PLACES ± | CURRENT REV DESC: STATUS: Production DRWN: Yann Chen CHK'D: Gang Li APPR: Colin Zhang | MINI50 RECEPTACLE WITH CPA SALES DRAWING PRODUCT SALES DRAWING |
| DRAFT WHERE APPLICABLE MUST REMAIN WITHIN DIMENSIONS | | | DRIVING: A1-SIZE SERIES: 34824 MATERIAL NUMBER: SD-34824-003 CUSTOMER: GENERAL MARKET SHEET NUMBER: 4 OF 4 |