

SACC-DSI-M8FS-3CON-M12/3,0 PUR - Device connector, rear mounting



1424316

<https://www.phoenixcontact.com/pc/products/1424316>

Please be informed that the data shown in this PDF document is generated from our online catalog. Please find the complete data in the user documentation. Our general terms of use for downloads are valid.



Sensor/actuator flush-type socket, 3-pos., M8, rear/screw mounting with M12 thread, with 3 m PUR cable, 3 x 0.25 mm²

Your advantages

- Preassembled with litz wires for immediate use
- Customer-specific assemblies and litz wire lengths available
- Sealed on the litz wire side for optimum leak-tightness
- Standard pin assignments and codings for signal transmission with a uniform design-in design

Commercial data

Item number	1424316
Packing unit	1 pc
Minimum order quantity	100 pc
Product key	ABQIDC
GTIN	4046356729123
Weight per piece (including packing)	106.5 g
Weight per piece (excluding packing)	106.5 g
Customs tariff number	85366990
Country of origin	DE

SACC-DSI-M8FS-3CON-M12/3,0 PUR - Device connector, rear mounting



1424316

<https://www.phoenixcontact.com/pc/products/1424316>

Technical data

Mounting

Mounting type	Rear mounting M12 x 1 With flat nut
Assembly instructions	With flat nut
Connection method	Individual wires

Product properties

Product type	Circular connectors (device side)
Number of positions	3
No. of cable outlets	1
Shielded	no
Coding	A

Insulation characteristics

Overvoltage category	II
Degree of pollution	3

Material specifications

Flammability rating according to UL 94	HB
Contact material	Cu alloy
Contact surface material	Au
Contact carrier material	PUR/PA 6.6
Material for screw connection	Brass, nickel-plated
Conductor material	Tin-plated Cu litz wires

Electrical properties

Rated surge voltage	1.5 kV
Contact resistance	$\leq 3 \text{ m}\Omega$
Insulation resistance	$\geq 100 \text{ M}\Omega$
Nominal voltage U_N	48 V AC
	60 V DC
Nominal current I_N	4 A

Connection data

Conductor connection

Connection method	Individual wires
-------------------	------------------

Connector

Connection 1

Head design	Socket
Head cable outlet	straight

SACC-DSI-M8FS-3CON-M12/3,0 PUR - Device connector, rear mounting



1424316

<https://www.phoenixcontact.com/pc/products/1424316>

Head thread type	M8
------------------	----

Cable/line

Cable length	3 m
Cable type	PUR
Single wire, color	brown, blue, black
Conductor material	Tin-plated Cu litz wires
AWG signal line	24
Material wire insulation	TPE

Environmental and real-life conditions

Ambient conditions

Degree of protection	IP67
	IP67
Ambient temperature (operation)	-25 °C ... 85 °C (Socket)

Standards and regulations

Standard designation	M8 connector
Standards/specifications	IEC 61076-2-104

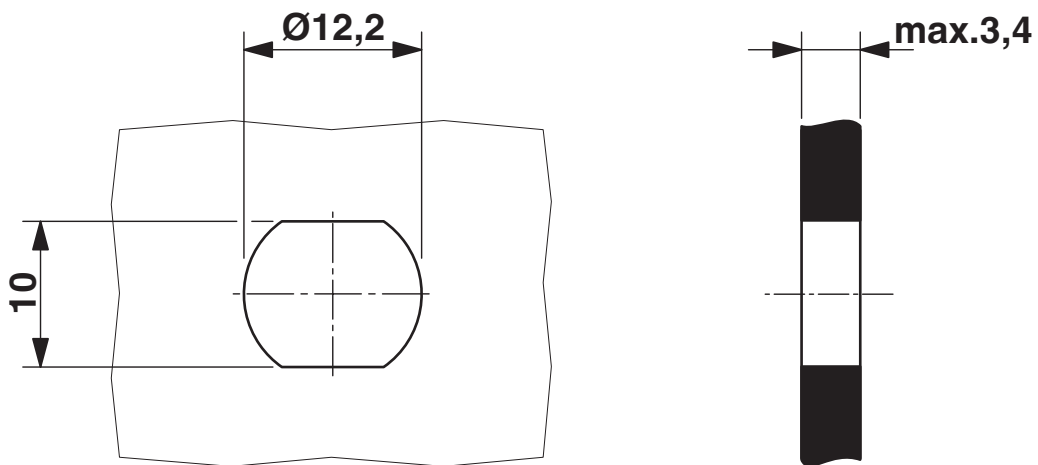
SACC-DSI-M8FS-3CON-M12/3,0 PUR - Device connector, rear mounting

1424316

<https://www.phoenixcontact.com/pc/products/1424316>

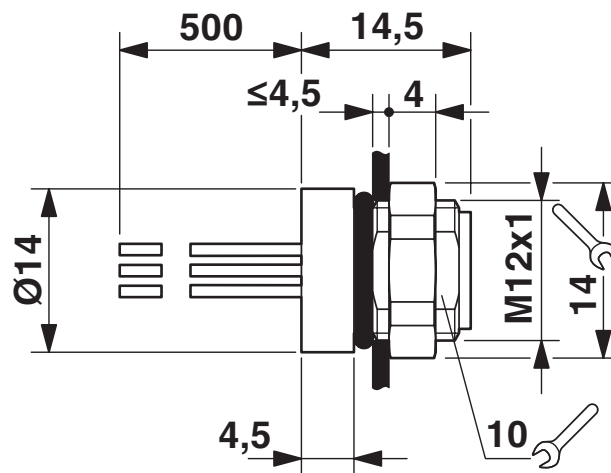
Drawings

Dimensional drawing



Housing cutout for M8 flush-type connector, socket, one-section

Dimensional drawing



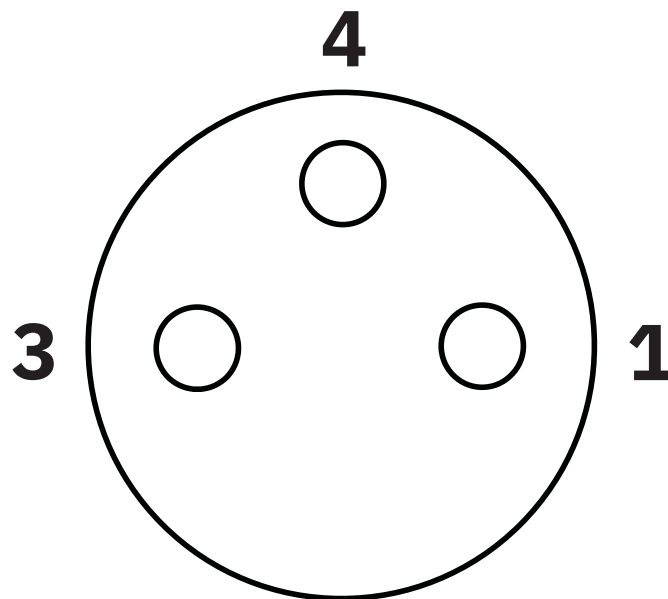
Dimensional drawing

SACC-DSI-M8FS-3CON-M12/3,0 PUR - Device connector, rear mounting

1424316

<https://www.phoenixcontact.com/pc/products/1424316>

Schematic diagram



Pin assignment M8 socket, 3-pos., view female side

SACC-DSI-M8FS-3CON-M12/3,0 PUR - Device connector, rear mounting



1424316

<https://www.phoenixcontact.com/pc/products/1424316>

Approvals

🔗 To download certificates, visit the product detail page: <https://www.phoenixcontact.com/pc/products/1424316>



EAC

Approval ID: B.01687

SACC-DSI-M8FS-3CON-M12/3,0 PUR - Device connector, rear mounting



1424316

<https://www.phoenixcontact.com/pc/products/1424316>

Classifications

ECLASS

ECLASS-11.0	27440102
ECLASS-12.0	27440116
ECLASS-13.0	27440116

ETIM

ETIM 8.0	EC002635
----------	----------

UNSPSC

UNSPSC 21.0	39121400
-------------	----------

SACC-DSI-M8FS-3CON-M12/3,0 PUR - Device connector, rear mounting



1424316

<https://www.phoenixcontact.com/pc/products/1424316>

Environmental product compliance

REACH SVHC	Lead 7439-92-1
China RoHS	Environmentally Friendly Use Period = 50 years
	For information on hazardous substances, refer to the manufacturer's declaration available under "Downloads"

Phoenix Contact 2023 © - all rights reserved
<https://www.phoenixcontact.com>

PHOENIX CONTACT GmbH & Co. KG
Flachmarktstraße 8
D-32825 Blomberg
+49 (0) 5235-3 00
info@phoenixcontact.com