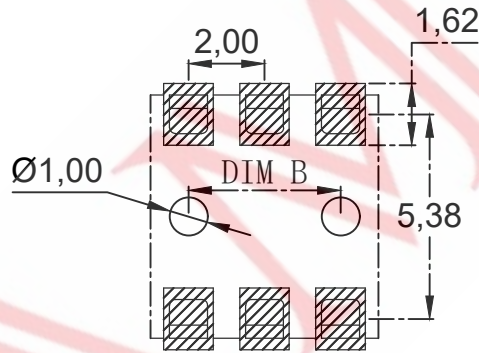
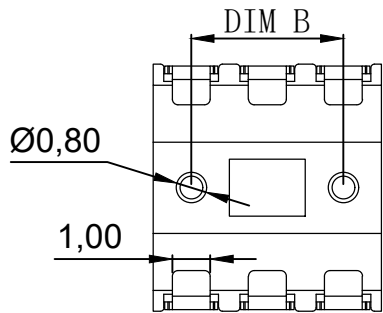
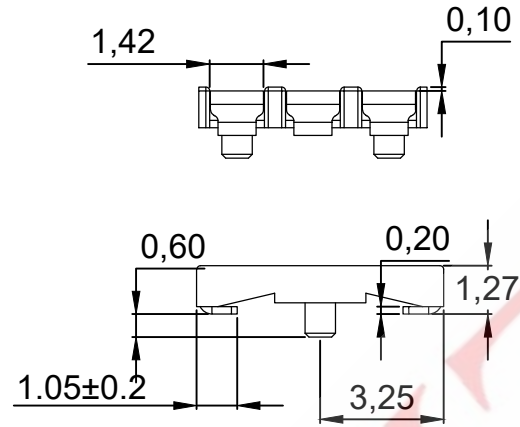
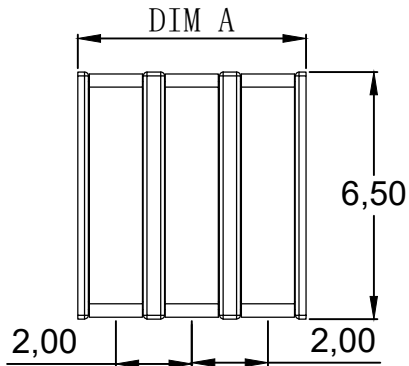


SAMZO REAC/ROHS

REV	ECN NO	DESCRIPTION	DESIGN	APPROVAL	DATE
A1	NEW	Replace frame			2018.06.14



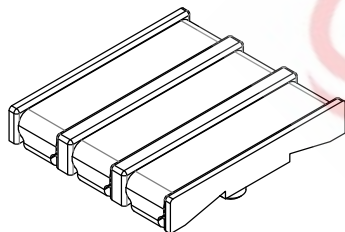
Performance:

1. Rated Current: 5.0 A
2. Rated Voltage: 30 V
3. Withstand Voltage: 500 V
4. Contact Resistance: 30 mΩ
5. Insulation Resistance: 500 MΩ
6. Operating Temperature: -55° C to +125° C
7. Service Life: More than 10,000 times
8. Plastic Parts (Material): PA9T
9. Contact Points (Material): Brass C2680, gold plating

03 E 3 1 * 3 2 0
 A B C D E F G H

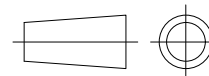
- A. Series: 03:13 Series
- B. Spring contact pitch: E-2.0mm
- C. Fixing method: 3-180° SMT
- D. Product height: 1-H1.27
- E. PIN NO: 2-2P (2-8PIN)
- F. Main body material: 3-PA9T
- G. Spring contact material: 2-C2680 Gold Plated
- H. Mold code: 0-Convention

规格	DIM A	DIM B
03E31-2-320	4.0	2.0
03E31-3-320	6.0	4.0
03E31-4-320	8.0	6.0
03E31-5-320	10.0	8.0
03E31-6-320	12.0	10.0
03E31-7-320	14.0	12.0
03E31-8-320	16.0	14.0



GENERAL TOLERANCE			
DESIGN	WANGUIFA	2018.06.12	≥0~2< ±0.15
CHECKED	ZHENGUILAN	2018.06.12	≥2~5< ±0.25
APPROVED	LILIANJIANG	2018.06.14	≥0~2< ±0.15
			≥5 ±0.35

FIRST VIEW



The copyright belongs to samzo parts [China] Co., Ltd. please use the material after samzo parts agree to authorize. The final right of interpretation belongs to samzo parts. WWW.KKK-JP.COM

TITLE: 2.0mm H1.27 立贴带柱 母座

DWG NO: 03E31-P991

PART NO: 03E31400.09

MODEL NO: 03E31-*-320

NAME:

DC CONN

SAMZO COMPONENTS
 Electronic switch and connector manufacturer