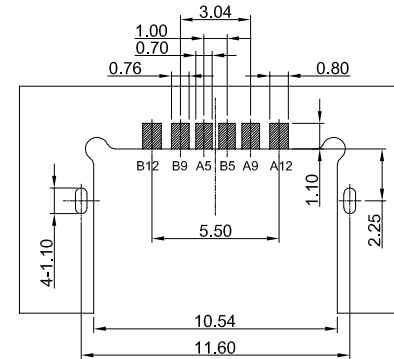
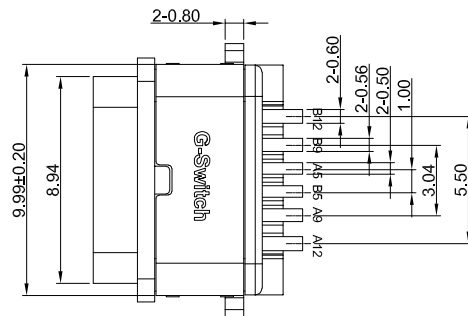
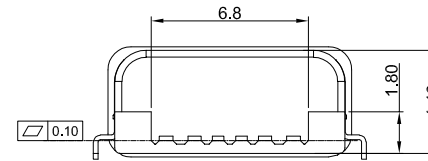
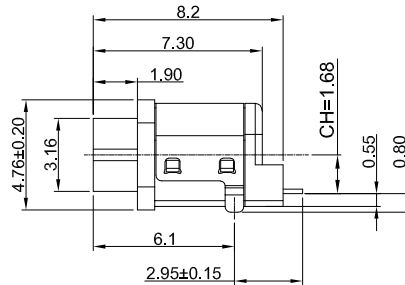
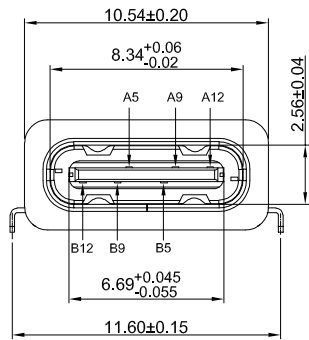


WITH RING



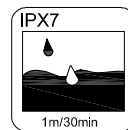
RECOMMENDED PCB LAYOUT
TOLERANCE:±0.05

G-Switch USB-C Specification:

- 1.Current rated: 3A on vbus/1.25A on vconn/0.25A on other
- 2.Voltage rating: 5V AC
- 3.Withstanding voltage: 100V AC/minute
- 4.Contact resistance: 40mΩ Max
- 5.Insulation resistance: 100MΩ Min
- 6.Operating temperature: -40°C ~ +85°C
- 7.Mating force: 5N~20N
- 8.Unmating force: 8N~20N
- 9.Durability cycle:10,000 cycles
- 9.Waterproof grade: IP-X7

A1	A2	A3	A4	A5	A6	A7	A8	A9	A10	A11	A12
				CC1				VBUS			GND
				Second				First			First
B12	B11	B10	B9	B8	B7	B6	B5	B4	B3	B2	B1
GND			VBUS				CC2				
First			First				Second				

1	COVER	STAINLESS STEEL	NI PLATED
2	RING	SILICONE RUBBER	BLACK
3	SHELL	STAINLESS STEEL	NI PLATED
4	MID PLATE	STAINLESS STEEL	---
5	HOUSING	HIGH TEMPERATURE PLASTIC	LCP BLACK UL 94 V-0
6	TERMINALS	COPPER ALLOY	Au PLATING ON CONTACT AREA
NO.	PARTS	MATERIAL	REMARKS



SCALE: 1:1 UNIT: mm
SIZE: A4

Unless otherwise
General Tolerance:
X. ±0.25
X.x ±0.20
X.xx ±0.15
X.xxx ±0.10
X* ±5°

Title: Horizontal Type-c 6P Female
Sink0.55 CH=1.68 L=8.2mm

Molde Code: GT-USB-7040A

DRAWN	CHECKED	APPROVED	DATE
Xla	Chen	Chen	2023,02,31



REV: A0 SHEET: 1/1