



深圳市兴华鑫电子科技有限公司

Shenzhen xinghuaxin Electronic Technology Co., Ltd

承認書

SPECIFICATION FOR APPROVAL

客戶 (Customer): _____
客戶料號 (Customer P/N): _____
興華鑫型號 (Supplier P/N): XHXDZ-18MM-8 Ω 1W-2P1.25
產品名稱 (Description): 喇叭 (Speaker)
產品規格 (Specification): 18MM 塑膠內磁 1.25 端子

| | | | |
|--|--|-----|-----|
| 客戶承認欄 (Customer Authorization Signature) | 深圳市興華鑫電子科技有限公司 承認欄 (Supplier Audit) | | |
| | 審核 | 檢查 | 制作 |
| | 唐国兴 | 唐玉来 | 吴银娟 |
| | 日期: 2022 年 04 月 19 日 | | |
| | 版次: A | | |

声音让生活更精彩!

地址: 深圳市宝安区新安街道新乐社区新乐路 88 号厂房四层

TEL: 0755-27892904

E-mail: jacky.tang@jsxhxdz.com

Http: www.jsxhxdz.com

深圳市兴华鑫电子科技有限公司

| | | | | | |
|-----------|-------------------------|------|----------|----------|-------|
| Model No. | XHXDZ-18MM-8Ω 1W-2P1.25 | Date | 2022-6-6 | Page No. | 1 / 6 |
|-----------|-------------------------|------|----------|----------|-------|

產品規格內容 (SPECIFICATION)

1. 使用範圍 (Scope)

此份規格書是針對多媒體產品內，所使用的微型揚聲器單體所提出的報告。

This specification covers our product of miniature speaker unit for multimedia product.

2. 标准测试条件 (Test condition)

一般规格试验状态 (特殊要求除外): 常温 5~35℃, 常湿 45%~85%, 气压 860~1060hPa.

判定上有疑问时, 试验状态为: 温度 20±2℃, 相对湿度 60%~70%, 气压 860~1060 hPa.

The test conditions unless otherwise specified should be normal temperature 5 to 35 °C, Normal humidity 45 to 85% and normal atmospheric pressure 860 to 1060 hPa, However, if there arises a doubt in judgment, the test conditions shall be as follows:

Temperature 20±2℃

Humidity 60%~70%

Atmosphere 860~1060 hPa

3. 電聲特性 (ELECTRO-ACOUSTIC CHARACTERISTICS)

3.1 額定阻抗 (Rated Impedance):

8.0Ω ± 20% (AT 1.6K Hz, 1.0 Vrms)

3.2 額定輸入功率 (Rated Input Power)

0.8 Watt (At 2.0 Vrms white noise 96 Hours)

3.3 最大輸入功率 (Max. Input Power)

1.0 Watt

3.4 最低共振頻率 (Resonant Frequency)

900 Hz ± 20%

3.5 輸出音壓 (Output S.P.L)

88± 3dB (1.0 Watt, 0.1 Meter. Average at 1.5K, 2.0K, 2.5K, 3.0K Hz)

3.6 實效頻率範圍 (Frequency Range)

Fo ~ 20KHz (By Output S.P.L. -10dB)

3.7 失真率 (Distortion)

Less than 5% (At 1.6KHz, 2.83 Vrms)

3.8 工作溫度 (Operating Temperature)

-25℃ ~ +50℃

3.9 儲存溫度 (Storage temperature)

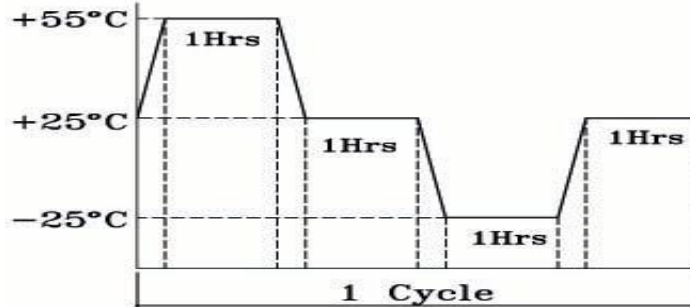
-25℃ ~ +55℃

| | | | |
|-----|-----|-----|---------|
| 制 定 | 审 核 | 核 准 | 文 件 编 号 |
| 唐海兵 | 唐国兴 | | |

| | | | | | |
|-----------|--------------------------|------|----------|----------|-------|
| Model No. | XHXDZ-18MM-8 Ω 1W-2P1.25 | Date | 2022-6-6 | Page No. | 2 / 6 |
|-----------|--------------------------|------|----------|----------|-------|

4. 可靠性測試 (Reliability Test)

4.1 高低溫差循環測試(Temperature Cycling Test)



| | |
|---|--|
| A | Low Temperature (-25°C±3°C) |
| B | High Temperature (+55°C±3°C) |
| C | Number of Cycle (3 Cycles) |
| D | Duration of Exposure 1 Hours, at Each Temperature Extremes |
| E | Duration of Recovery 1 Hours |

4.2 抗濕度試驗(Humidity Test)

| | | |
|---|-----------------------------|------------------------|
| A | 相對濕度(Relative Humidity) | 90-95% at + 40°C ± 3°C |
| B | 測試時間(Durations) | 96 Hours |
| C | 恢覆時間(Durations of recovery) | 6 Hours |

4.3 連續負載測試(Load Test)

White Noise Without Weighted Filter 2.5 Volts.(RMS) 100 Hrs.

4.4 跌落試驗(Drop Test)

75 cm Free Falling On Concrete Floor, 10 Times.

4.5 異常音測試(Buzzes & Rattles)

Sine wave between at 2.5Vrms / 200~5000Hz

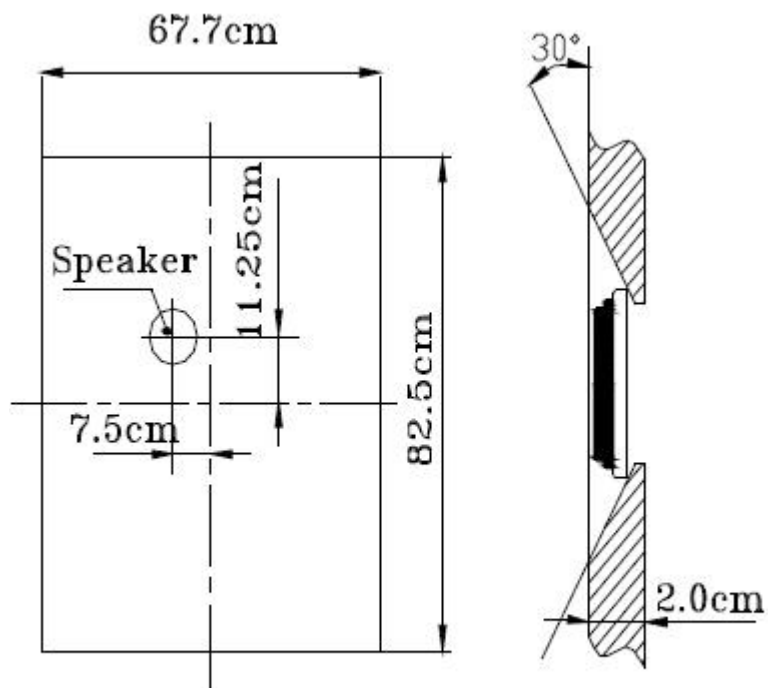
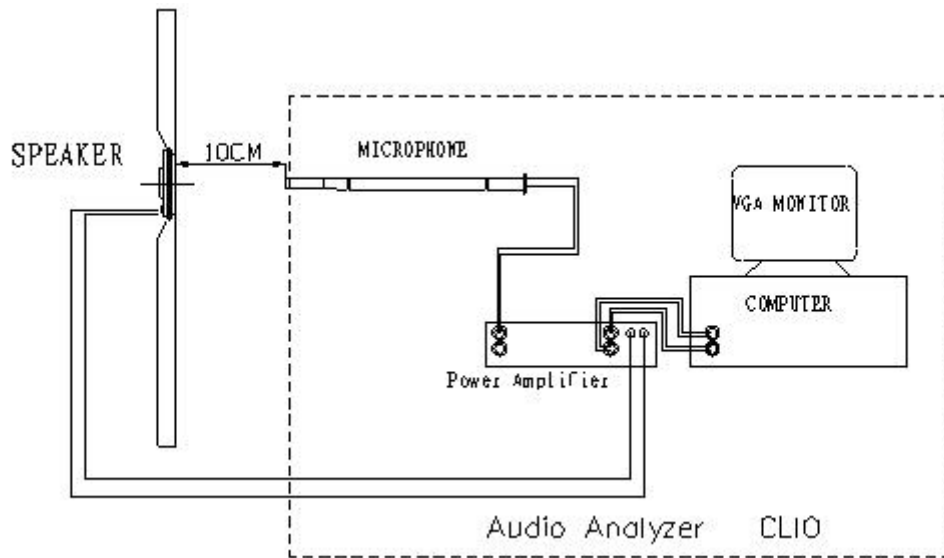
4.6 極性測試(Polarity test)

Diaphragm Shall Move Forward When Apply a Positive DC. Current to the “+” or “Marked” Terminal.

產品規格內容 (SPECIFICATION)

| | | | | | |
|-----------|-------------------------|------|----------|----------|-------|
| Model No. | XHXDZ-18MM-8Ω 1W-2P1.25 | Date | 2022-6-6 | Page No. | 3 / 6 |
|-----------|-------------------------|------|----------|----------|-------|

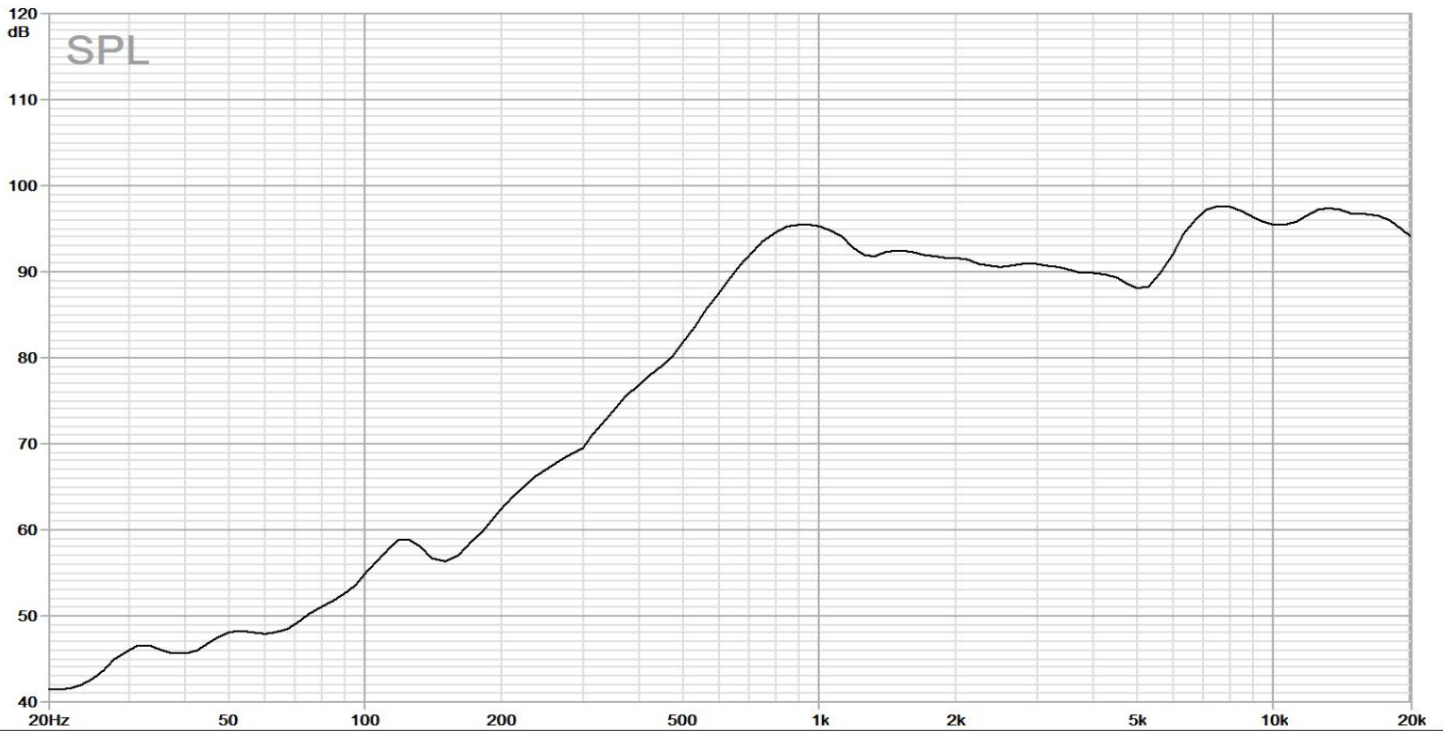
5.測量方式 (Measurement Method)



產品規格內容 (SPECIFICATION)

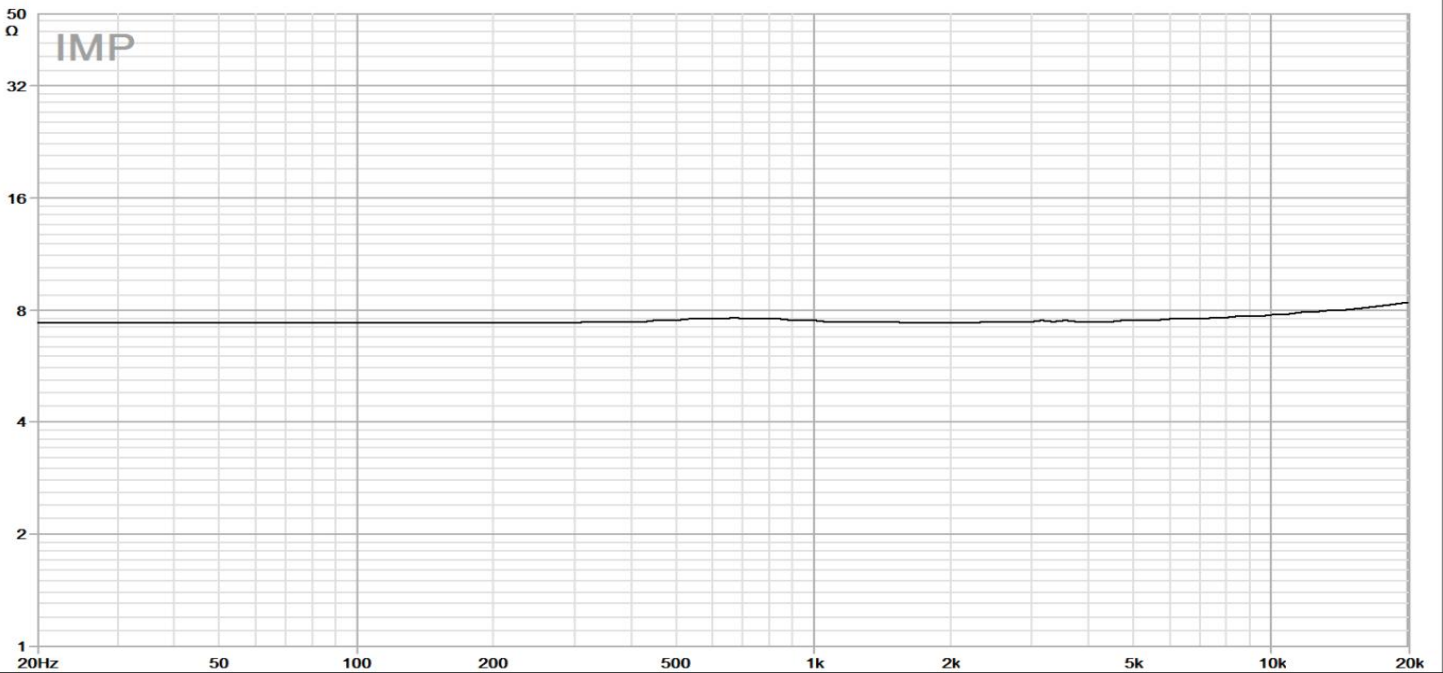
| | | | | | |
|-----------|--------------------------|------|----------|----------|-----|
| Model No. | XHXDZ-18MM-8 Ω 1W-2P1.25 | Date | 2022-6-6 | Page No. | 4/6 |
|-----------|--------------------------|------|----------|----------|-----|

6. 頻率響應曲線圖(Frequency Response Curve)



| | | | | |
|----|--|----------------|--------------|--------------|
| 结果 | Polar: + -- | Avg.Sen: -- -- | F0: 880.2 -- | Zmax: 8.8 -- |
| 参数 | 扬声器: 测试电压[894 mV] 倍频程[1/12 Oct] 扫频范围[20-20000Hz] | M_Avg -- | 线控按钮Ohm: | |
| | 传声器: 测试声压[94 dB] 倍频程[1/24 Oct] 扫频范围[20000-20Hz] | | | |

7. 阻抗曲線圖(Impedance Curve)

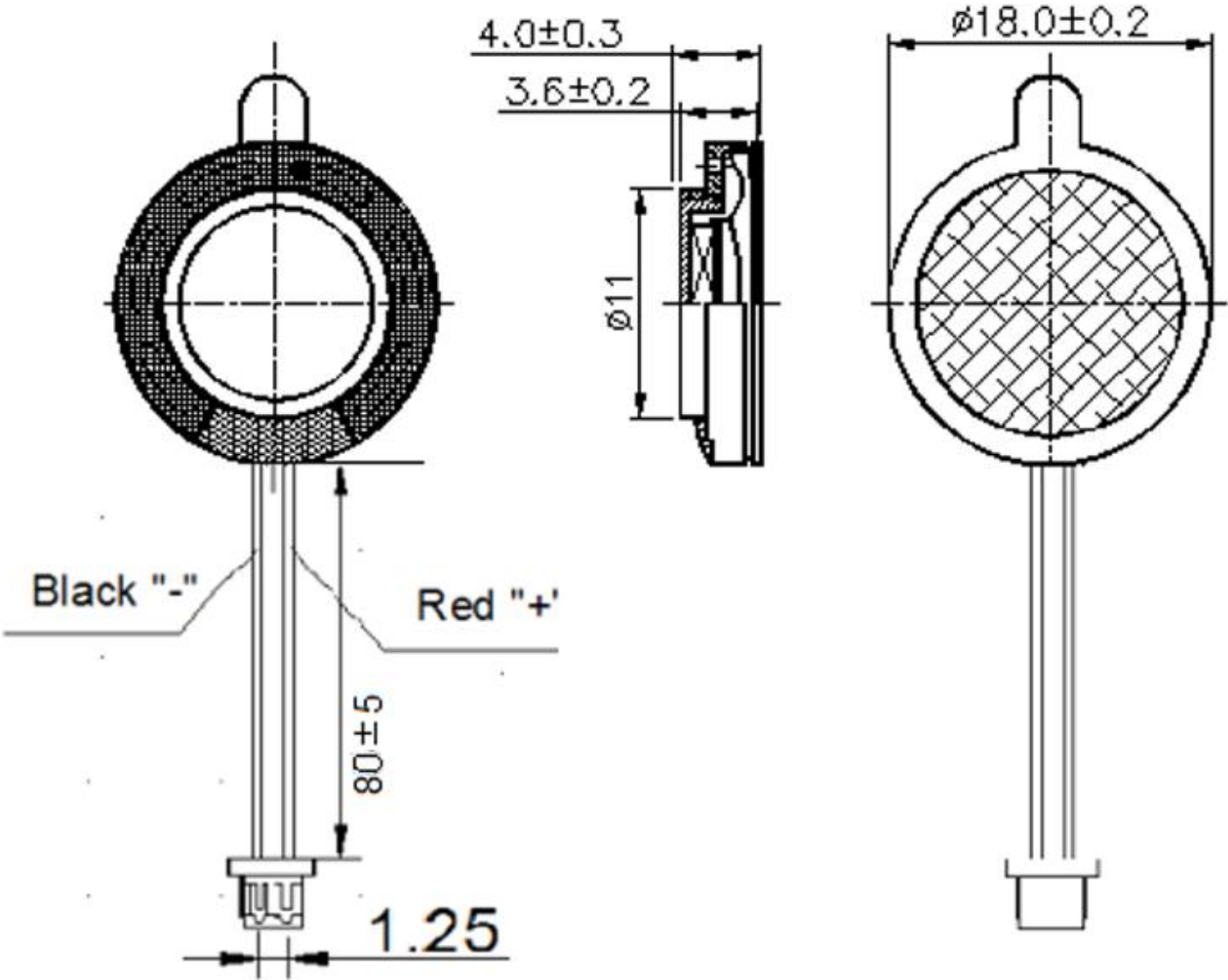


產品規格內容 (SPECIFICATION)

| | | | | | |
|-----------|--------------------------|------|----------|----------|-------|
| Model No. | XHXDZ-18MM-8 Ω 1W-2P1.25 | Date | 2022-6-6 | Page No. | 5 / 6 |
|-----------|--------------------------|------|----------|----------|-------|

8. 喇叭外觀描述

(Unit:mm tolerance:±0.3)



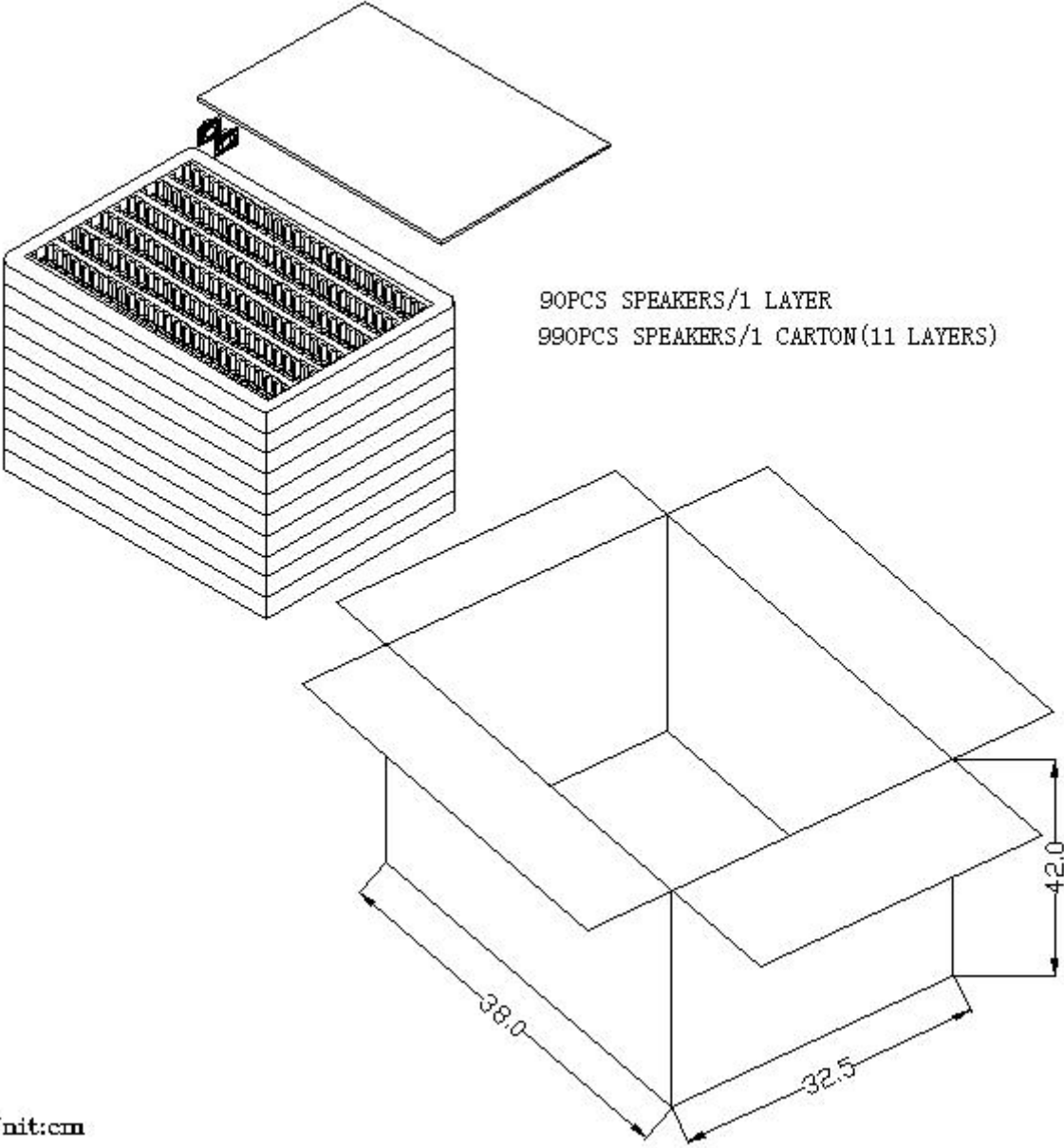
產品規格內容 (SPECIFICATION)

| | | | | | |
|-----------|-------------------------|------|----------|----------|-----|
| Model No. | XHXDZ-18MM-8Ω 1W-2P1.25 | Date | 2022-6-6 | Page No. | 6/6 |
|-----------|-------------------------|------|----------|----------|-----|

9.包裝示意圖(Packing Standard):

(Unit:cm tolerance:±3)

PACKING STANDARD:



Unit:cm