

1-206070-0 ✓ ACTIVE

AMP | AMP CPC

TE Internal #: 1-206070-0

Cable Clamp Kit, Thermoplastic, Black, Shell Size 17, 11.51 mm [.453 in] Cable Entry, UL 94V-0, AMP CPC

[View on TE.com >](#)



Connectors > Connector Accessories > Connector Strain Relief



Strain Relief Accessory Type: **Cable Clamp Kit**

Primary Product Material: **Thermoplastic**

Primary Product Color: **Black**

Compatible With Connector Shell Size: **17**

Cable Entry Diameter: **11.51 mm [.453 in]**

## Features

### Housing Features

Compatible With Connector Shape	Circular
Body Orientation	Straight

### Product Type Features

Strain Relief Accessory Type	Cable Clamp Kit
------------------------------	-----------------

### Body Features

Primary Product Material	Thermoplastic
Primary Product Color	Black

### Operation/Application

Compatible With Connector Shell Size	17
Shielded	No

### Dimensions

Cable Entry Diameter	11.51 mm[.453 in]
----------------------	-------------------

### Mechanical Attachment

Thread Size	15/16-20 UNEF-2B
-------------	------------------



### Industry Standards

UL Flammability Rating	UL 94V-0
------------------------	----------

### Packaging Features

Packaging Method	Bulk
Packaging Quantity	200

### Other

EU RoHS Compliance	Compliant
EU ELV Compliance	Compliant

### Product Compliance

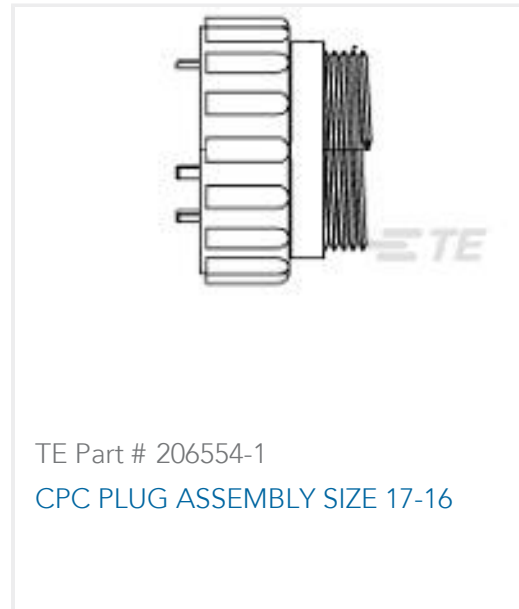
[For compliance documentation, visit the product page on TE.com>](#)

EU RoHS Directive 2011/65/EU	Compliant
EU ELV Directive 2000/53/EC	Compliant
China RoHS 2 Directive MIIT Order No 32, 2016	No Restricted Materials Above Threshold
EU REACH Regulation (EC) No. 1907/2006	Current ECHA Candidate List: JUNE 2024 (241) Candidate List Declared Against: JUNE 2024 (241) Does not contain REACH SVHC
Halogen Content	BFR/CFR/PVC Free, but Br/Cl >900 ppm in other sources.
Solder Process Capability	Not applicable for solder process capability

#### Product Compliance Disclaimer

This information is provided based on reasonable inquiry of our suppliers and represents our current actual knowledge based on the information they provided. This information is subject to change. The part numbers that TE has identified as EU RoHS compliant have a maximum concentration of 0.1% by weight in homogenous materials for lead, hexavalent chromium, mercury, PBB, PBDE, DBP, BBP, DEHP, DIBP, and 0.01% for cadmium, or qualify for an exemption to these limits as defined in the Annexes of Directive 2011/65/EU (RoHS2). Finished electrical and electronic equipment products will be CE marked as required by Directive 2011/65/EU. Components may not be CE marked. Additionally, the part numbers that TE has identified as EU ELV compliant have a maximum concentration of 0.1% by weight in homogenous materials for lead, hexavalent chromium, and mercury, and 0.01% for cadmium, or qualify for an exemption to these limits as defined in the Annexes of Directive 2000/53/EC (ELV). Regarding the REACH Regulation, the information TE provides on SVHC in articles for this part number is based on the latest European Chemicals Agency (ECHA) 'Guidance on requirements for substances in articles' posted at this URL: <https://echa.europa.eu/guidance-documents/guidance-on-reach>

### Compatible Parts



Also in the Series | [AMP CPC](#)



Connector Backshells(1)



Connector Caps & Covers(16)



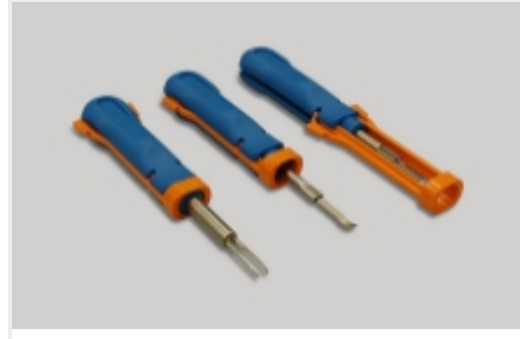
Connector Contacts(6)



Connector Seals & Cavity Plugs(35)



Connector Strain Relief(60)



Insertion & Extraction Tools(1)



Power Contacts(6)

## Customers Also Bought



TE Part #T1240160129-000  
H16B-TGH-PG29



TE Part #T2070002013-000  
CAF-13



TE Part #6-2213766-7  
AV19 DPL 3A POWER LED RED 24V



TE Part #T2050001016-000  
CNM-16



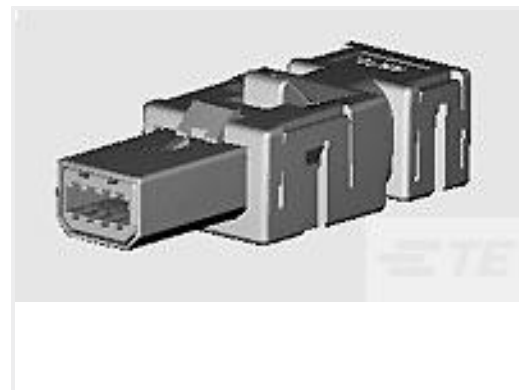
TE Part #T2050001025-000  
CNM-25



TE Part #T2050002016-000  
CNF-16



TE Part #2069577-1  
MINI I/O PLUG CONN KIT(100 PC) D1



TE Part #2069578-1  
MINI I/O PLUG CONN KIT(100 PC) D-2



TE Part #474817-E  
SRCP 1,27 6 M 1-KS SMD 137 E1 094 \*  
GU-H



TE Part #966658-2  
32pos MQS .63 header 180deg

## Documents



### Product Drawings

#### CABLE CLAMP KIT, BULK PKG

English

---

### CAD Files

#### Customer View Model

[ENG\\_CVM\\_CVM\\_1-206070-0\\_R.2d\\_dxf.zip](#)

English

#### 3D PDF

3D

#### Customer View Model

[ENG\\_CVM\\_CVM\\_1-206070-0\\_R.3d\\_igs.zip](#)

English

#### Customer View Model

[ENG\\_CVM\\_CVM\\_1-206070-0\\_R.3d\\_stp.zip](#)

English

By downloading the CAD file I accept and agree to the [Terms and Conditions](#) of use.

---

### Datasheets & Catalog Pages

#### AMP Circular Connectors for Commercial Signal & Power Applications

English