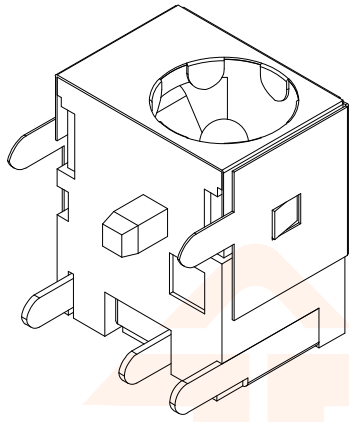
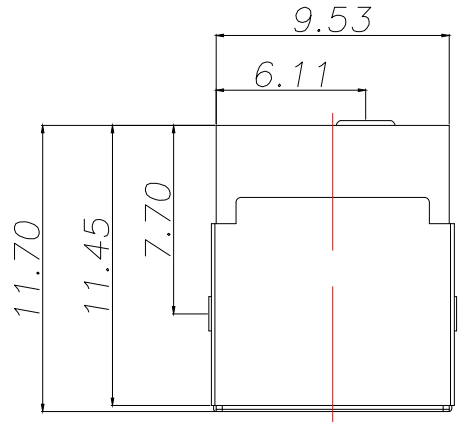
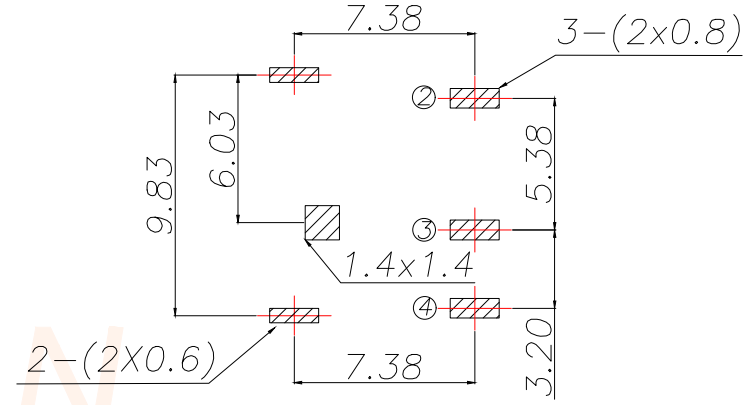
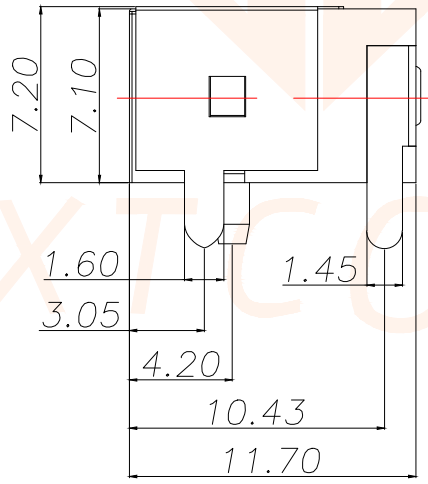
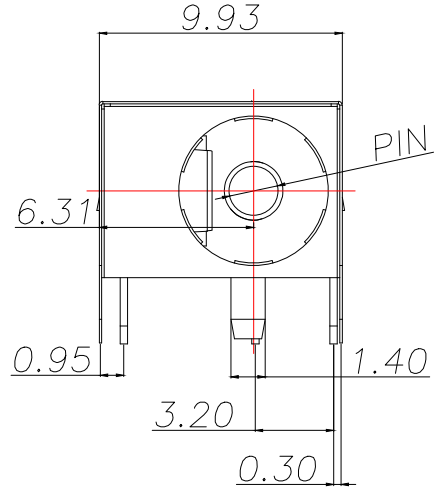




REV.	ECN NO.	DESCRIPTION	DATE	DESIGN

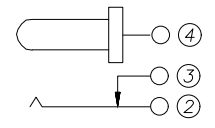


Main technical performance	
Rated electrical load	DC 24V 3A
Contact resistance	≤0.03Ω
Insulation resistance	≥100MΩ DC250V
Pressure resistance	AC 500V 1min
Insertion force	3-20N
Operating temperature range	-20°C~+70°C
service life	5000cycles



PCB.WELDING DRAWING (TOLERANCE:±0.05)

LTR	PART NAME	QTY	MATERIAL	REMARK
4	TERMINAL	1	BRASS	MB:CuSn PLATED
3	HOUSING	1	PBT	BLACK
2	TIP SPRING	1	PHOSPHOR BRONZE	MB:CuSn PLATED
1	CENTER PIN	1	BRASS	MB:CuSn PLATED



SCHEMATIC

PIN	P/N	TOLERANCE		PART NO.		TITLE:		
		X.:±0.30	X':±5'	DC044A-NC	DC SOCKET			
∅2.0	DC044A-2.0C	X.X:±0.25	X.X':±1'	DESIGN: Ethan	MANUFACTURE DWG			
		X.XX:±0.15						
∅2.5	DC044A-2.5C	UNITS	mm	CHED: Olvia	SCALE	SHEET		
		MATERILA	---	APPD: Ava			N:A	1/1
		FINISH	---					

深圳聚兴泰电子科技有限公司
 Shenzhen Juxingtai Electronic Technology Co., Ltd