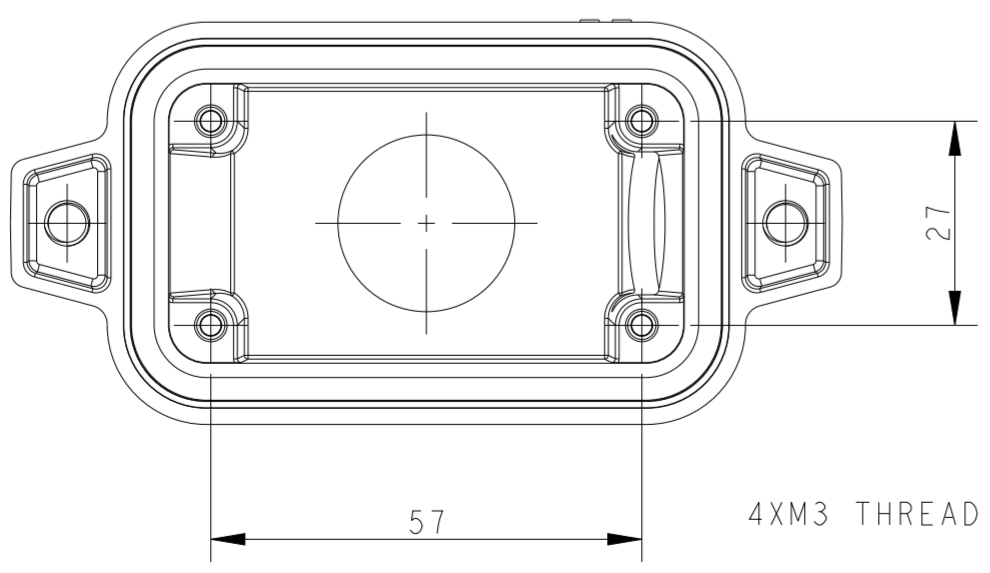
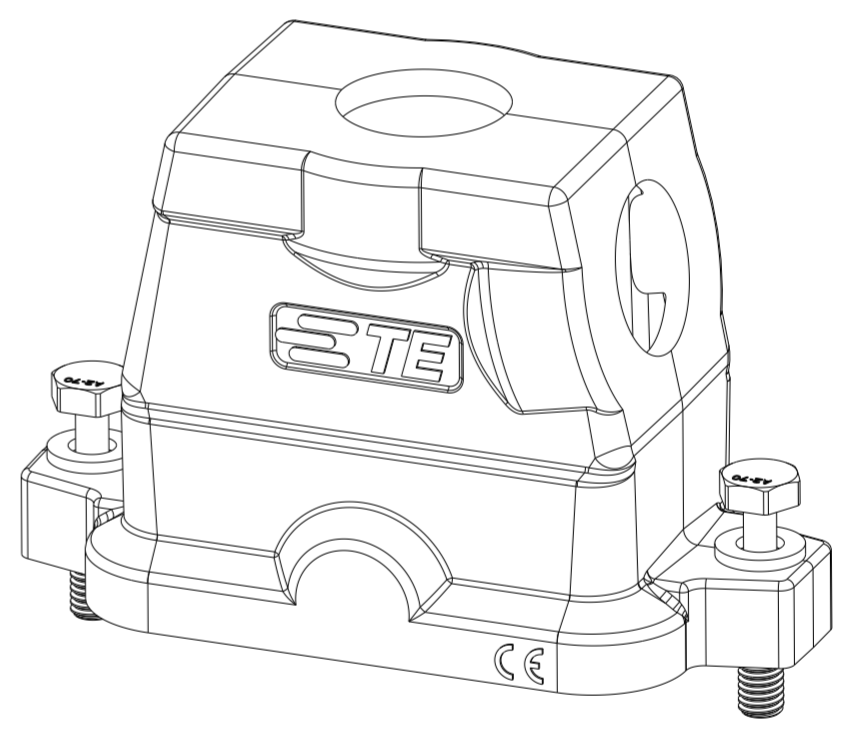
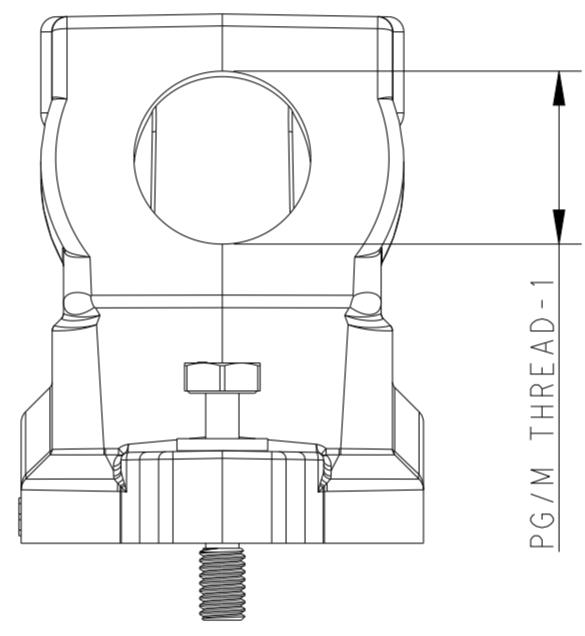
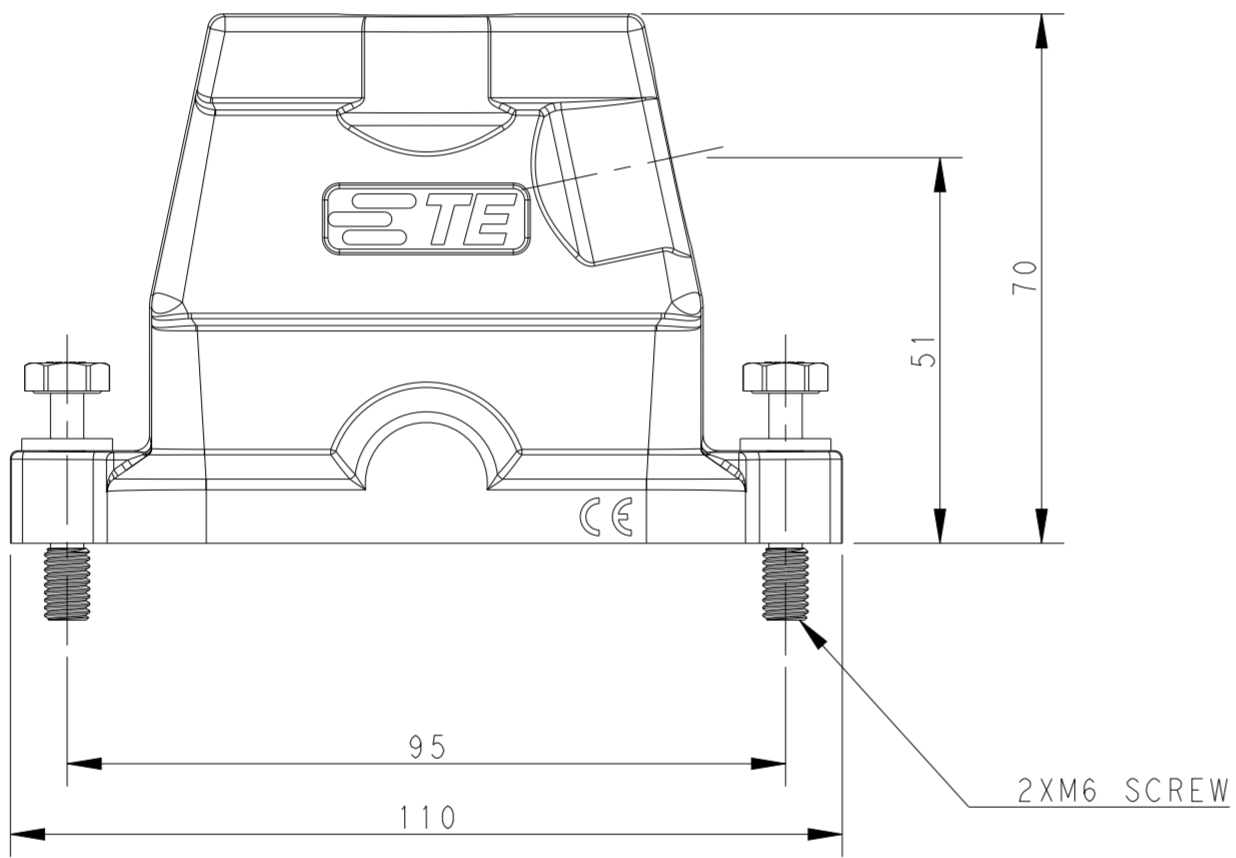
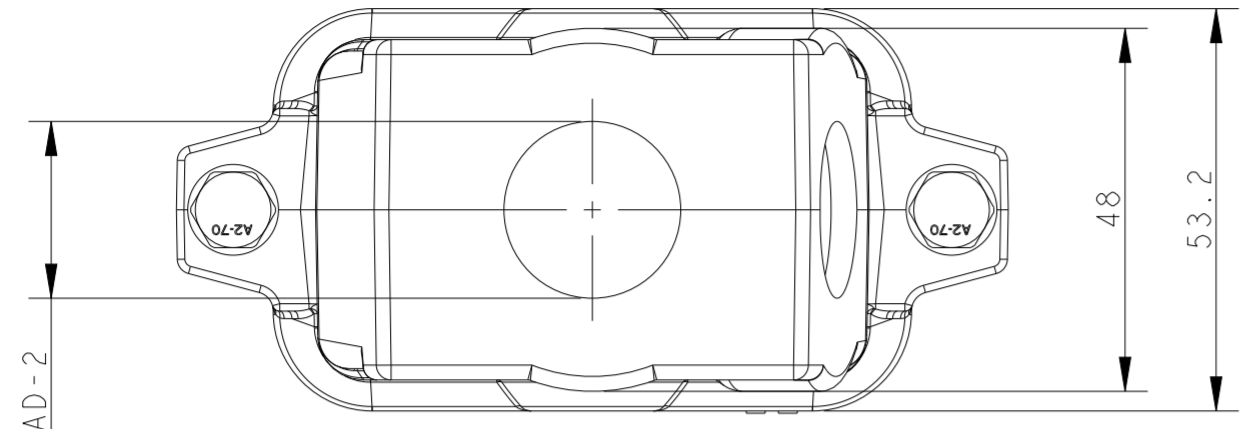


THIS DRAWING IS UNPUBLISHED. RELEASED FOR PUBLICATION 20
 © COPYRIGHT 20 BY - ALL RIGHTS RESERVED.

| REVISIONS | | | | |
|-----------|-----|-----------------|-----------|-------|
| P | LTR | DESCRIPTION | DATE | APVD |
| A | | INITIAL RELEASE | 09JUN2015 | GY CW |
| B | | ECR-20-012069 | 08MAY2021 | BS CW |



NOTES:
 1. TECHNICAL CHARACTERISTICS:
 HOOD MATERIAL: DIE CAST ALUMINIUM ALLOY
 SURFACE TREATMENT: SEE TABLE
 DEGREE OF PROTECTION: IP68 (MATED)

注释
 1. 技术参数:
 壳体材料: 铝合金
 表面处理: 见表格
 防护等级: IP68 (配合)

| T1902102232-000 | POWDER COATED GRAY | H10BPR-TS/GHC-2M32 | M32 | M32 |
|-----------------|----------------------------|---------------------|---------------|---------------|
| T1902101240-000 | POWDER COATED SILVER WHITE | H10BPR-TS/GHC-2M40 | M40 | M40 |
| T1902101232-000 | POWDER COATED SILVER WHITE | H10BPR-TS/GHC-2M32 | M32 | M32 |
| T1902101229-000 | POWDER COATED SILVER WHITE | H10BPR-TS/GHC-2PG29 | PG29 | PG29 |
| T1902101225-000 | POWDER COATED SILVER WHITE | H10BPR-TS/GHC-2M25 | M25 | M25 |
| PART NUMBER | SURFACE TREATMEN | DESCRIPTION | PG/M THREAD-2 | PG/M THREAD-1 |

THIS DRAWING IS A CONTROLLED DOCUMENT.

| | | | |
|-------------------|---|--------------------------|--|
| DIMENSIONS: mm | TOLERANCES UNLESS OTHERWISE SPECIFIED: 0 PLC ± 1 PLC ± 2 PLC ± 3 PLC ± 4 PLC ± ANGLES ± FINISH | DWN Gino Yao 09JUN2015 | TE Connectivity NAME H10BPR-TS/GHC-PG/M |
| | | CHK Chris Wang 09JUN2015 | |
| | | APVD Xiang Xu 09JUN2015 | PRODUCT SPEC 108-137014 |
| | | | APPLICATION SPEC 114-137014 |
| MATERIAL | | WEIGHT | SIZE A2 |
| | | Customer Drawing | CAGE CODE - |
| | | | DRAWING NO. C-T190210XXXXX00 |
| | | | RESTRICTED TO - |
| | | | SCALE 1:1 SHEET 1 OF 1 REV B |