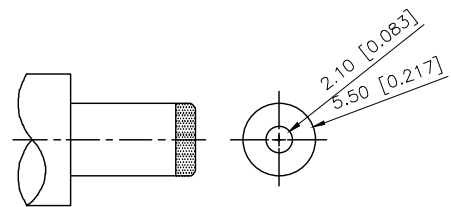
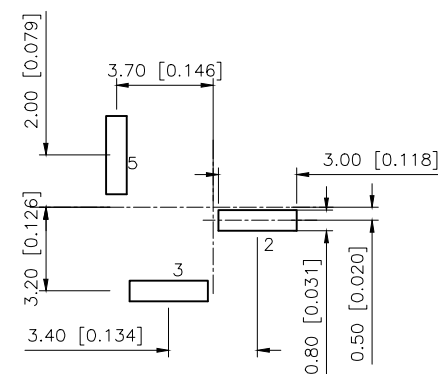
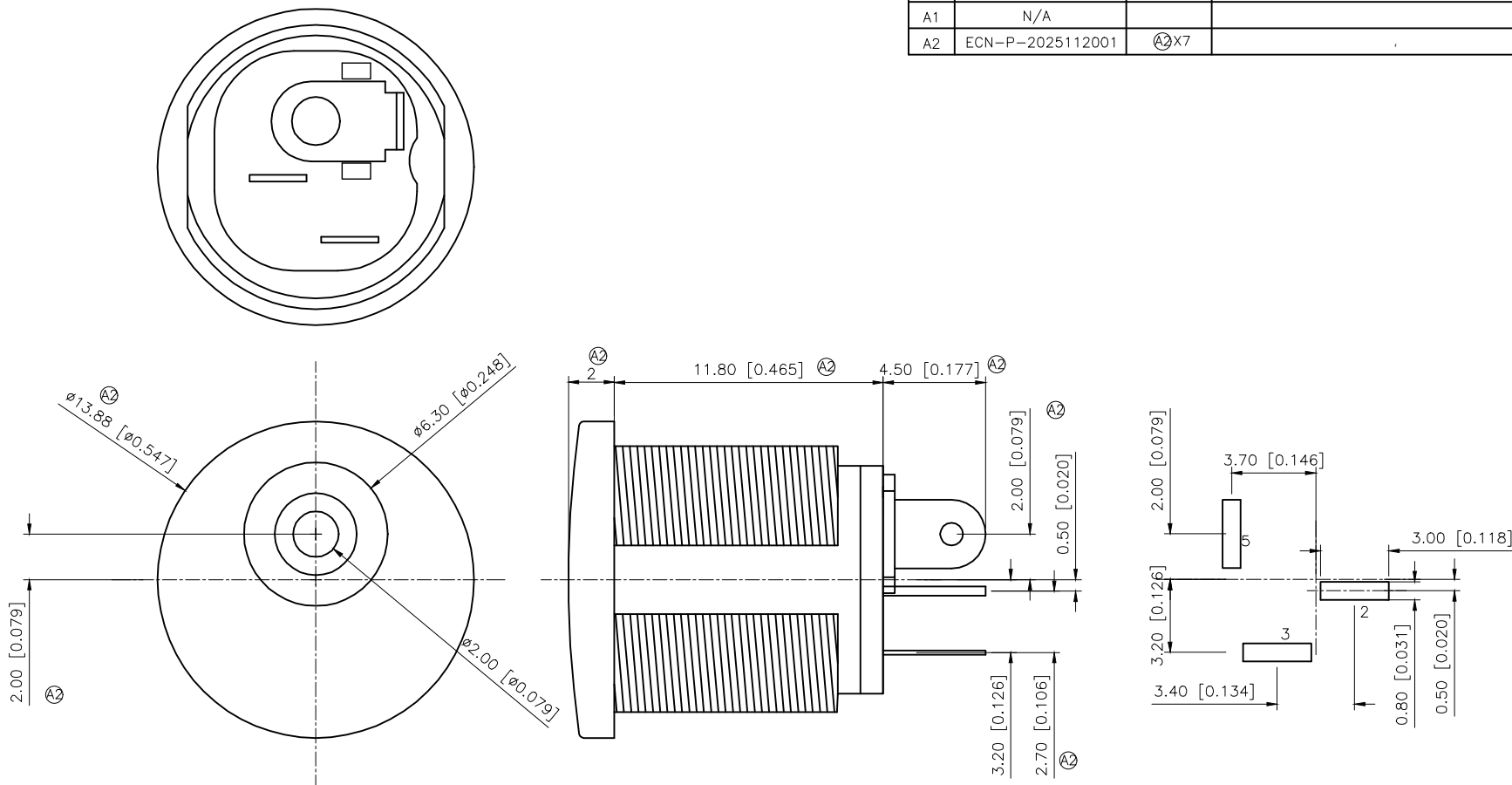


REVISIONS					
REV.	ECN NO.	LOCATION	DESCRIPTION	DATE	DESIGN
A1	N/A			2025.07.01	
A2	ECN-P-2025112001	ⒶX7		2025.11.20	

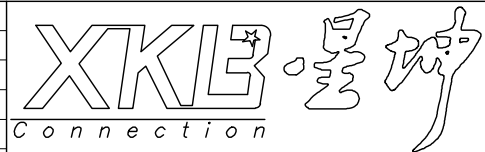
SCHEMATIC	
Model	DC-022-2.5A
Center Pin	∅2.0 mm
	∅2.5 mm



MATING PLUG  
Jack Insertion Depth: 9.0 mm

NO	PAPT NAMF	MATERIAL	PLATING
5	Pin	HPB50	Tin
4	Tip spring	SUS 11=0.2	Tin
3	Shunt spring	C2680 T=0.3	Tin
2	Rermdnai	C2680 T=0.3	Black
1	Housing	PBT	Black

AuGLAR	±5°
X.	±0.40
X.x	±0.30
X.xx	±0.20
X.xxx	±0.15
UNSPECIFIED TOLERAUCES	



DESIGN	
CHECKED	
APPROVED	

VIEW:	
UNIT:	mm/in
SIZE:	A4

MODEL TYPE:	DC POWER JACK
PART NO.:	DC-022-2.5A-2.0
DWG NO.:	