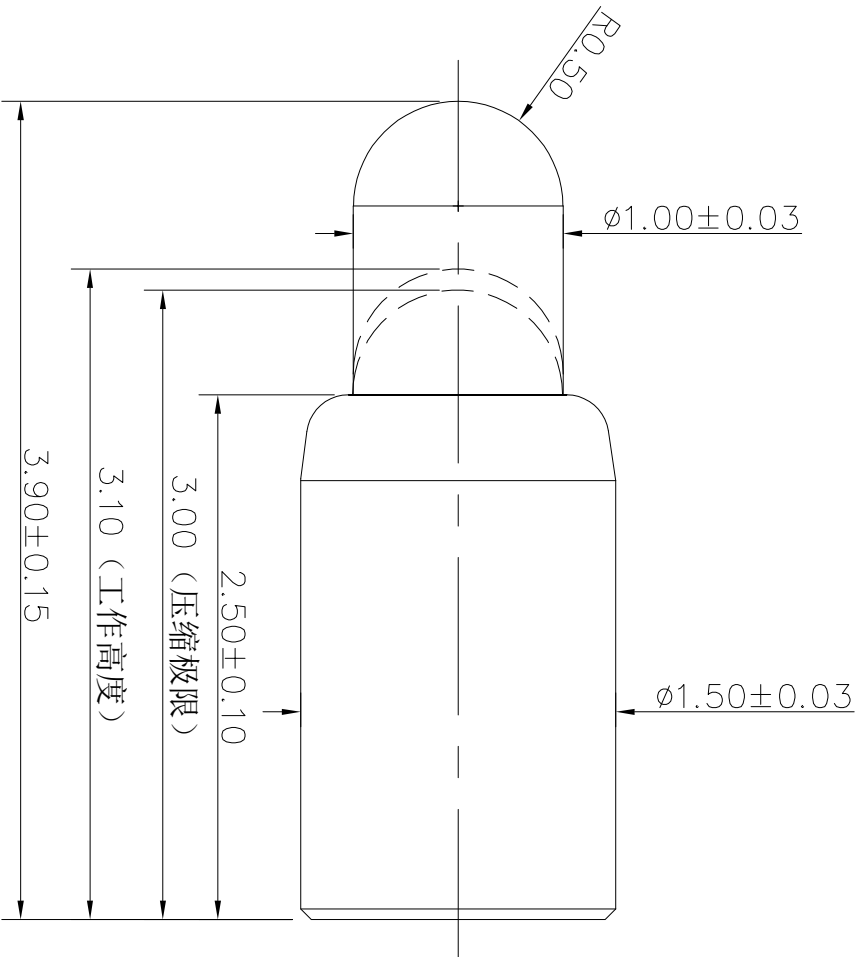


# 客户图



## Note:

- 1: Material(材料):  
 Barrel: Brass C3604 (针管: 黄铜 C3604)  
 Plunger: Brass C3604 (针头: 黄铜 C3604)  
 Spring: SUS304 (弹簧: SUS304)
- 2: Plating(电镀):  
 Barrel: 3u' Au over 50~80u' Ni(针管: 镀金3u', 镍底50~80u'.)  
 Plunger: 3u' Au over 50~80u' Ni (针头: 镀金3u', 镍底50~80u'.)  
 Spring: No plated (弹簧: 不电镀)
- 3: Electrical(电气特性):  
 Rated Current & Voltage: DC 12V;1A (额定电压&电流: 直流12V,1A)  
 Contact Resistance: 50 mohm Max. at working height.  
 接触电阻: 最大50毫欧(在工作高度状态下)
- 4: Mechanical(机械性能):  
 Force: 120g±20% at working height. (120g±20%在工作高度)。  
 Durability: 10,000 cycles(min) (寿命: 10000次)
- 5: Work Temperature(工作环境):  
 Withstanding Higt Temperature: 280t  
 Operational Temperature: -20t~ +70t

| NO. | ECN NO. | DESCRIPTION | DATE |
|-----|---------|-------------|------|
|     |         |             |      |

## 深圳市鑫探技术有限公司

HTTP://WWW.XYZPOGOPIN.COM  
 TEL:0755-28773277 FAX:0755-28891353



|        |            |            |     |
|--------|------------|------------|-----|
| SCALE: | N/A        | UNIT       | mm  |
| SHEET: | 1 of 1     | PROJECTION | ⊕   |
| DATE:  | 2026.04.22 | VER.       | D.0 |

THE UNMARKED TOLERANCE ARE AS BELOW:  
 LENGTH: XXX ±0.05mm, XXX ±0.10mm, X ±0.20mm  
 ANGLE: XXX ±0.50°, XXX ±1.00°, X ±2.00°

|              |          |                |
|--------------|----------|----------------|
| DESIGNED BY: | DWG. NO. | YZ27115039G-01 |
| CHECKED BY:  | TITLE:   | Pogo pin连接器    |
| APPROVED BY: |          |                |