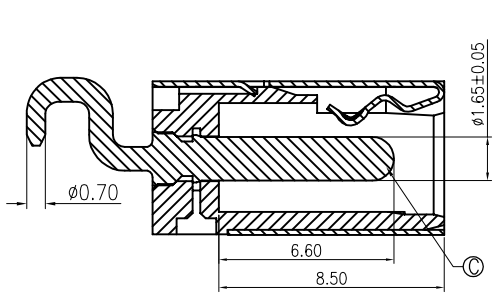
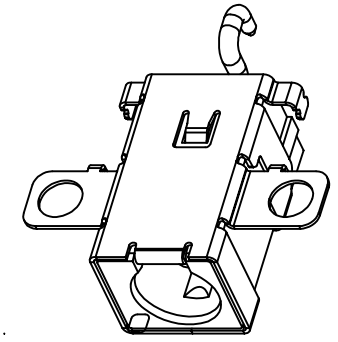
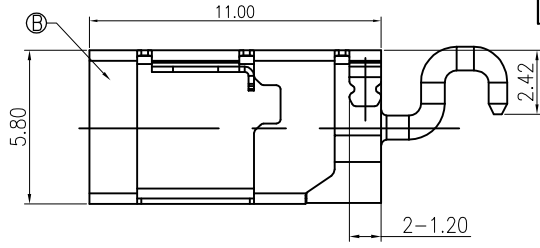
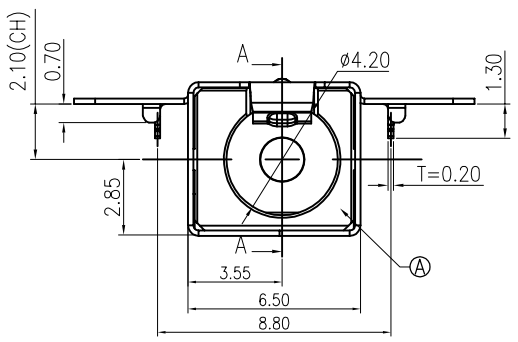


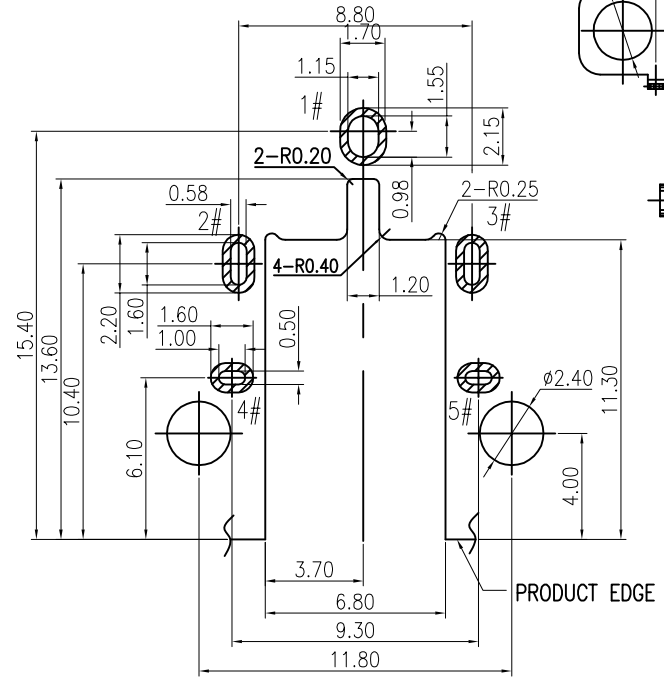
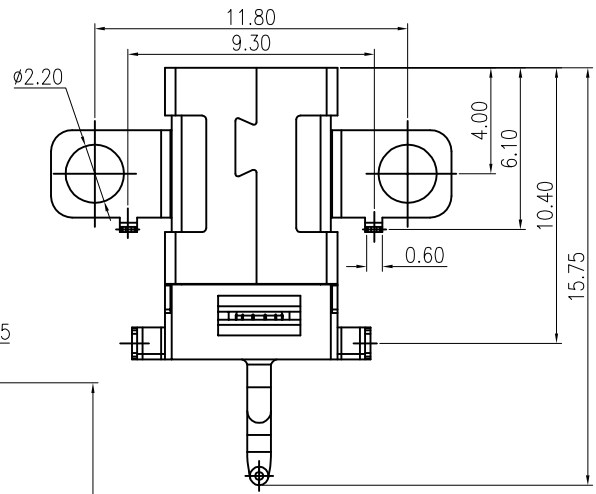
REV NO	MARK	REVISION DESCRIPTION	签名 SIGNATURE	日期 DATE
		NEW DWG		2016-03-12



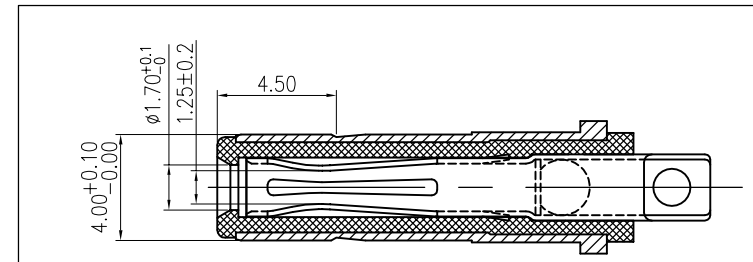
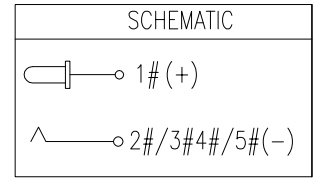
SECTION A-A



- SPECIFICATION:
1. RATING: DC 20V 5A
  2. CONTACT RESISTANCE: 30mΩ MAX.
  3. INSULATION RESISTANCE: 100 MΩ MIN.
  4. WITHSTAND VOLTAGE: 500 VAC
  5. INSERTION FORCE: 3N~30N
  6. EXTRACTION FORCE: 3N~30N
  7. DURABILITY: 5,000 CYCLES



RECOMMENDED PCB LAYOUT(t=1.00)  
TOP VIEW TOLERANCE:±0.05



MATING PLUG  
DP400170-0038-6H

NO.	DESCRIPTION	MATERIAL	REMARKS	QTY
C	CENTER PIN	BRASS	GOLD FLASH"/Ni 40u"	1
B	SHELL	COPPER ALLOY	Ni 40u"	1
A	HOUSING	HIGH TEMP.THERMOPLASTIC	BLACK	1

**深圳市华德共创科技有限公司**  
Shenzhen Huade co-create Technology Co., LTD  
电话: 0755-27111216 传真: 0755-29940187

-TOLERANCES- UNLESS OTHERWISE SPECIFIED 公差参数表		TITLE: DC Power Jack 4017 大电流8A, 卧式, 产品名称: 高可靠 CL=2.1	
X.X	±0.30	X.X*	±3°
X.XX	±0.20	X.XX*	±2°
X.XXX	±0.10	X.XXX*	±1°

APPD: 核准:	PART NO: 产品编号:			
王建业	DC400170-1088-2H			
CHECK: 校对:	DATE	SCALE	UNIT	CODE NUMBER
黄艳兰	2016-03-12	1:1	mm	A001