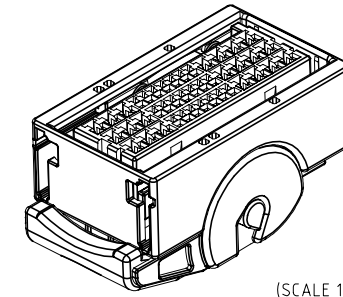
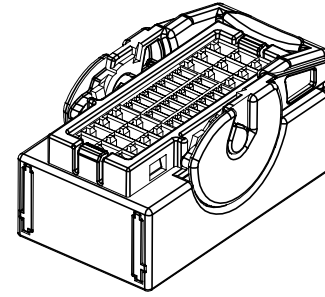
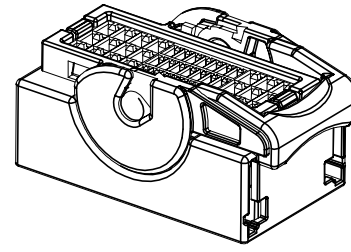
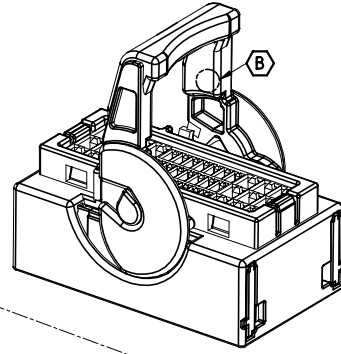
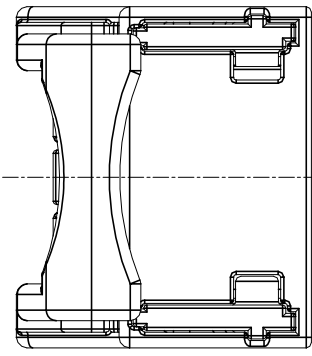
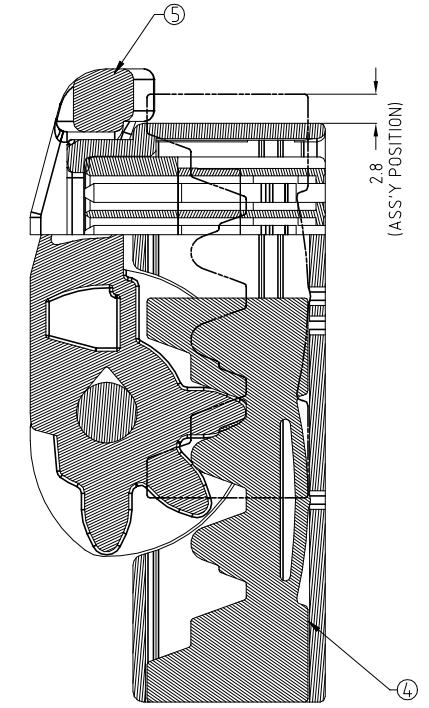


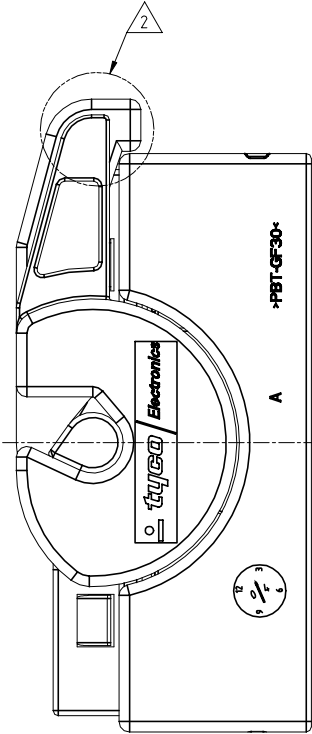
LOC	DIST	REVISIONS					
		P	LTR	DESCRIPTION	DATE	DWN	APVD
DS		B		REVISED(ECR-22-135105)	06/SEP/22	BH	KT



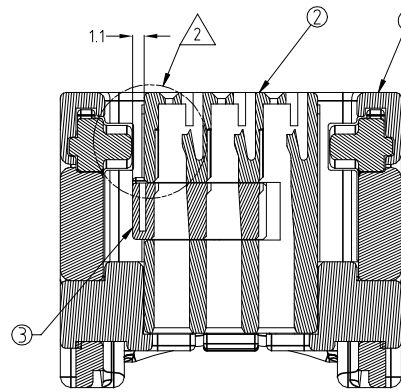
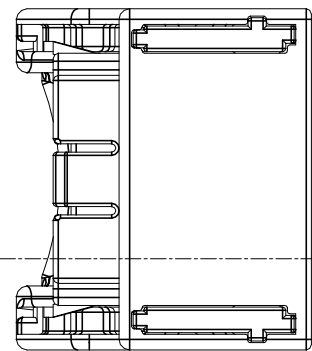
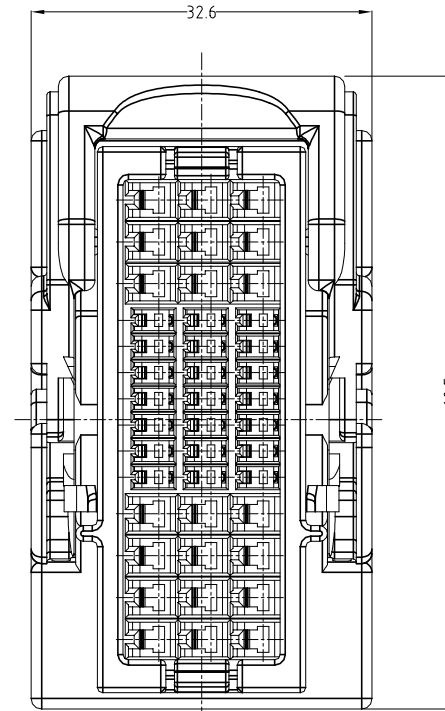
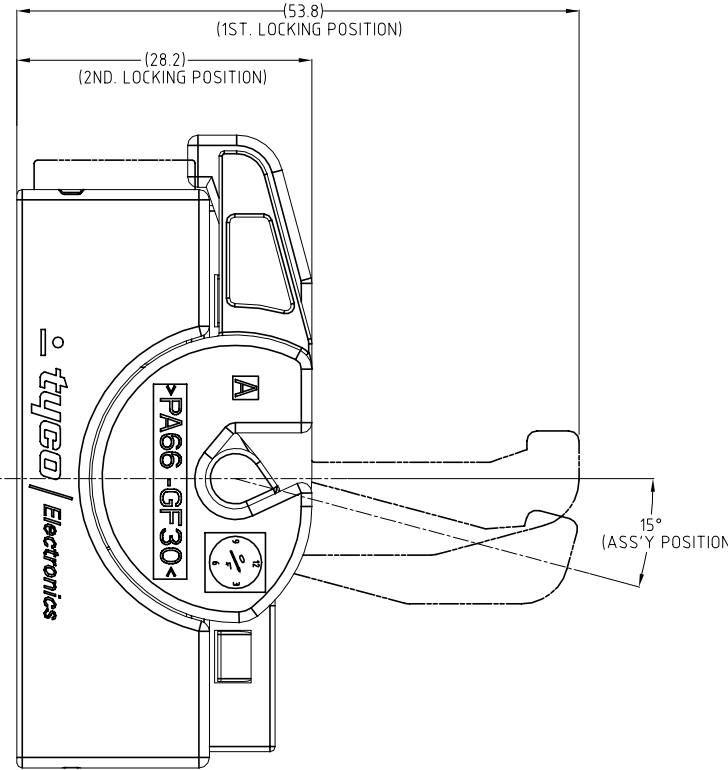
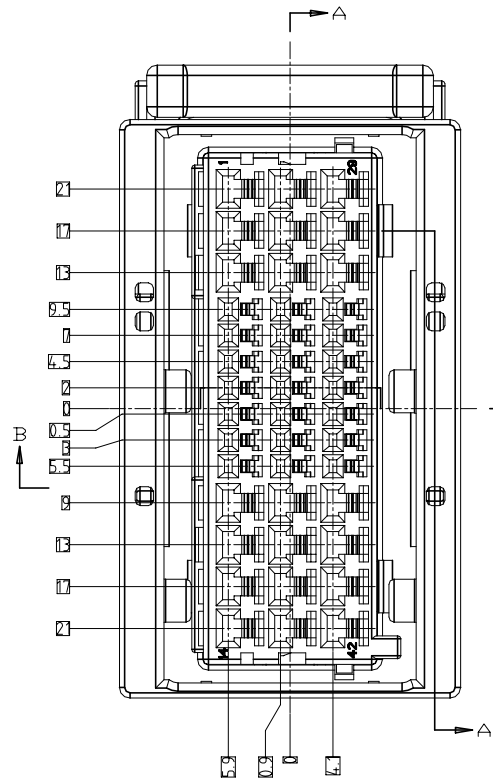
(SCALE 1:1)



SECTION A-A



SCALE 2:1



SECTION B-B

NOTES:

1. GENERAL TOLERANCE IS ± 0.3
2. CONDITION OF DELIVERY :
DBL IN 1ST. LOCKING POSITION
LEVER HSG IN 2ND. LOCKING POSITION
3. APPLIED PLUG ASS'Y P/N: X-1743095-X
4. APPLIED REC. CONTACT P/N : TABLE 1
5. CHECK CONVERSION KEY CODE

-TABLE 1-

TYPE	Part NO.	WIRE SIZE(mm ²)	MATERIAL/FINISH
.040	0-316836-1	0.3 - 0.85	CuNiSi ALLOY / PRE-TIN
	0-368085-1	0.3 - 0.5	CUNISI ALLOY / 0--PRE-TIN / 1--GOLD
	1-368085-1		
.090	0-368084-1	0.85 - 1.25	CUNISI ALLOY / 0--PRE-TIN / 1--GOLD
	1-368084-1		
	0-368083-1	2.0	CUNISI ALLOY / 0--PRE-TIN / 1--GOLD
	1-368083-1		

SHAPE OF CONVERSION TYPE

0-1743098-4(BROWN)	0-1743098-1(WHITE)	1-1743098-8(BLUE)

NO.	COLOR	MATERIAL	DESCRIPTION	ASS'Y B/NO			
				0-1743098-4	1-1743098-8	1-1743098-7	0-1743098-11
⑤	BLACK	PBT GF30	SLIDE HSG	2	2	2	2
④	BLACK	PA66 GF30	LEVER HSG	1	1	1	1
③	NATURAL	PBT	DBL HSG	1	1	1	1
②	BLUE	PBT	SUB PLUG HSG	-	1	-	-
②	GREEN	PBT	SUB PLUG HSG	-	-	1	-
②	BROWN	PBT	SUB PLUG HSG	1	-	-	-
②	WHITE	PBT	SUB PLUG HSG	-	-	-	1
①	BLUE	PBT GF30	MAIN PLUG HSG	-	1	-	-
①	GREEN	PBT GF30	MAIN PLUG HSG	-	-	1	-
①	BROWN	PBT GF30	MAIN PLUG HSG	1	-	-	-
①	WHITE	PBT GF30	MAIN PLUG HSG	-	-	-	1
				Q'TY			

THIS DRAWING IS A CONTROLLED DOCUMENT FOR TYCO ELECTRONICS CORPORATION. IT IS SUBJECT TO CHANGE AND THE CONTROLLING ENGINEERING ORGANIZATION SHOULD BE CONTACTED FOR THE LATEST REVISION.

DIMENSIONS: mm	TOLERANCES UNLESS OTHERWISE SPECIFIED: 0-XX-10 ± 0.2 10-XX-30 ± 0.25 30-XX ± 0.3 ANGLES $\pm 3^\circ$	DWN : YD LEE	AMP KOREA, kyungsan, korea
3rd ANGLE PROJECTION	FINISH	CHK : BM JANG	tyco Electronics
MATERIAL	SEE TABLE	APVD : CS LEE	NAME
		PRODUCT SPEC	PLUG ASSEMBLY CONNECTOR FOR HYB. 42POS (.040/.090 SIZE "LIF")
		APPLICATION SPEC	SIZE
		WEIGHT	CAGE CODE
			DRAWING NO
			RESTRICTED TO
			A2 00779 C= 1743098
			SCALE 2/1 SHEET 1 OF 1 REV B