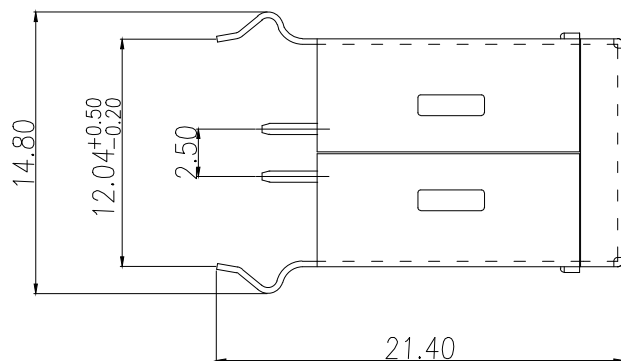
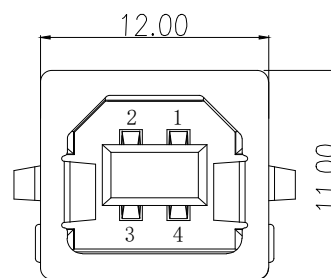
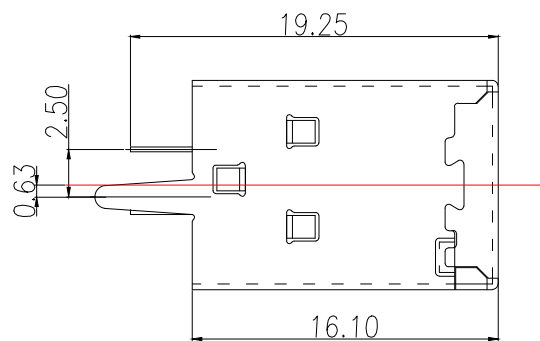
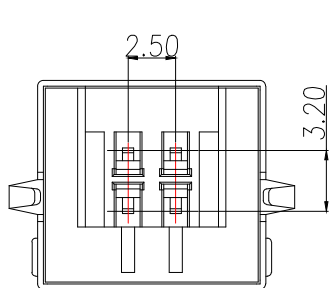


PCB.LAYOUT



NOTES:

1.MATERIAL:

- 1.1 Housing:thermoplastic plastics
- 1.2 terminals:Copper Alloy
Gold plated in contact area:
Tin plated in termination
Nickel Plated overall
- 1.3 Shell:Steel&Copper Alloy
Nickel Plated overall

2.ELECTRICAL CHARACTERISTICS:


- 2.1 Rating Current :1.5 Ampere
- 2.2 Rating Voltage :30 V Max
- 2.3 Contact Resistance:30 Milli ohms
- 2.4 Insulation Resistance:1000 Mega ohms Min.

3.MECHANICAL CHARACTERISTICS:

- 3.1 Connector Mating force:35N MAX(3.57Kgf)
- 3.2 Connector Unmating force:10N min(1.02Kgf)
- 3.3 Durability:1500Cycles.

4.ENVIRONMENT CHARACTERISTICS:

- 4.1 Operating temperature:-0℃ to +50℃
- 4.2 Storage temperature:-20℃ to +60℃

| 制图 DRAWN | 变更内容 DESCRIPTION | 日期 DATE | GENERAL TOLERANCE | | 制图 DRAWING | EMMA | | 料号 PART NO. | BX-TYPE-B-MZZ4P | 版本 REV. | A |
|-------------|---------------------|------------|-------------------|--------|----------------|------|-------------|------------------|-----------------|--|-----|
| | | | X.±0.30 | X.*±3° | 审核 CHECK | EVA | | 品名 TITLE | USB BF 180度 | 页次 SHEET | 1/1 |
| | | | .X±0.20 | .X*±2° | 核准 APPROVAL | JADE | | 客户料号 CUTM.NO. | |  Bossie (博锡) | |
| | | | .XX±0.10 | | 单位 UNITS | MM | 比例 SCALE | 1:1 | | | |