

1-963212-1 ✓ ACTIVE

AMP | Junior Power Timer

TE Internal #: 1-963212-1

6 Position Housing, Housing for Female Terminals, Wire-to-Wire, 5 mm [.197 in] Centerline, Sealable, Black, Wire & Cable, Power, Junior Power Timer

[View on TE.com >](#)



Connectors > Automotive Connectors > Automotive Housings > Timer Connector Housing



Number of Positions: 6

Connector & Housing Type: **Housing for Female Terminals**

Mating Tab Width: 2.8 mm [.11 in]

Connector System: **Wire-to-Wire**

Centerline (Pitch): 5 mm [.197 in]

[All Timer Connector Housing \(497\)](#)

Features

Dimensions

Product Width	26.3 mm[1.035 in]
Row-to-Row Spacing	6 mm[.236 in]
Product Length	34.5 mm[1.358 in]
Connector Height	37.75 mm[1.486 in]

Packaging Features

Packaging Method	Carton
------------------	--------

Mechanical Attachment

Strain Relief	Without
Terminal Position Assurance	Yes
Mating Alignment Type	Keyed
Mating Alignment	With
Connector Mounting Type	Cable Mount (Free-Hanging)

Other

Serviceable	No
Connector Position Assurance Capable	No
EU RoHS Compliance	Compliant
EU ELV Compliance	Compliant



Housing Features

Housing Material	PBT GF
Centerline (Pitch)	5 mm [.197 in]

Contact Features

Contact Size	2.8mm
Contact Type	Receptacle
Mating Tab Width	2.8 mm [.11 in]
Contact Current Rating (Max)	30 A

Product Type Features

Mixed & Hybrid Connector	No
Connector Shape	Rectangular
Connector & Housing Type	Housing for Female Terminals
Connector System	Wire-to-Wire
Sealable	Yes
Primary Locking Feature	On the Terminal
Connector & Contact Terminates To	Wire & Cable

Configuration Features

Number of Positions	6
Number of Rows	2

Electrical Characteristics

Nominal Voltage Architecture	12 V
------------------------------	------

Body Features

Primary Product Color	Black
Connector & Keying Code	A1

Usage Conditions

Operating Temperature (Max)	125 °C [176 °F]
Operating Temperature Range	-40 – 80 °C [-40 – 176 °F]

Operation/Application

Circuit Application	Power
---------------------	-------

Product Compliance

For compliance documentation, visit the product page on [TE.com](https://www.te.com)>



EU RoHS Directive 2011/65/EU	Compliant
EU ELV Directive 2000/53/EC	Compliant
China RoHS 2 Directive MIIT Order No 32, 2016	No Restricted Materials Above Threshold
EU REACH Regulation (EC) No. 1907/2006	Current ECHA Candidate List: JUNE 2024 (241) Candidate List Declared Against: JUNE 2024 (241) Does not contain REACH SVHC
Halogen Content	BFR/CFR/PVC Free, but Br/Cl >900 ppm in other sources.
Solder Process Capability	Not applicable for solder process capability

Product Compliance Disclaimer

This information is provided based on reasonable inquiry of our suppliers and represents our current actual knowledge based on the information they provided. This information is subject to change. The part numbers that TE has identified as EU RoHS compliant have a maximum concentration of 0.1% by weight in homogenous materials for lead, hexavalent chromium, mercury, PBB, PBDE, DBP, BBP, DEHP, DIBP, and 0.01% for cadmium, or qualify for an exemption to these limits as defined in the Annexes of Directive 2011/65/EU (RoHS2). Finished electrical and electronic equipment products will be CE marked as required by Directive 2011/65/EU. Components may not be CE marked. Additionally, the part numbers that TE has identified as EU ELV compliant have a maximum concentration of 0.1% by weight in homogenous materials for lead, hexavalent chromium, and mercury, and 0.01% for cadmium, or qualify for an exemption to these limits as defined in the Annexes of Directive 2000/53/EC (ELV). Regarding the REACH Regulation, the information TE provides on SVHC in articles for this part number is based on the latest European Chemicals Agency (ECHA) 'Guidance on requirements for substances in articles' posted at this URL: <https://echa.europa.eu/guidance-documents/guidance-on-reach>

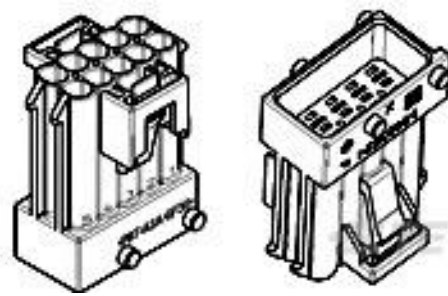
Compatible Parts




TE Part # CAT-SIGH262
Signal Header



TE Part # CAT-LMPH9507
Low & Medium Power Header



TE Part # 5-962349-1
6P PIN HOUSING 3MM



TE Part # 962351-1
SCHIEBER F6P JPT-GH



TE Part # CAT-T4827-CH8172
Timer Connector Housing

Also in the Series | Junior Power Timer



Automotive Connector Caps & Covers (9)



Automotive Connector Locks & Position Assurance(8)



Automotive Housings(306)



Automotive Terminals(153)



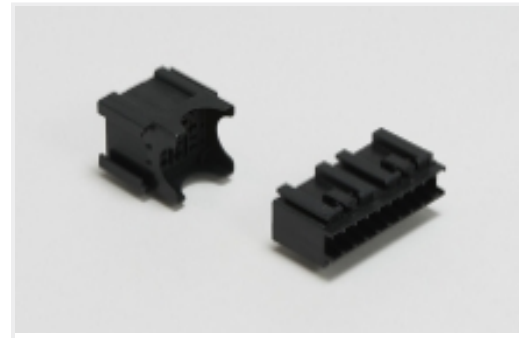
Busbars & Terminals(1)



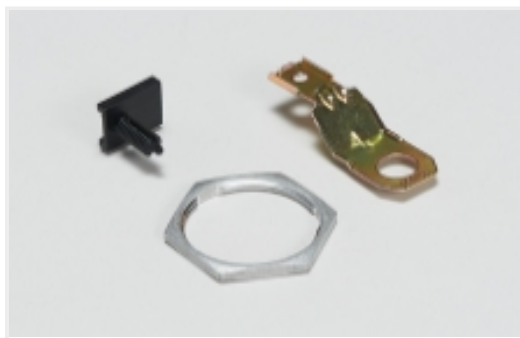
Connector Seals & Cavity Plugs(8)



Insertion & Extraction Tools(8)



Module Components(1)

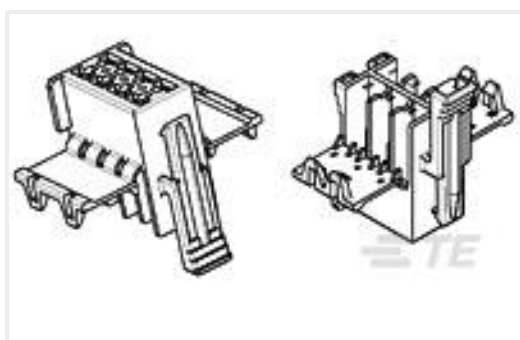


Other Automotive Connector Accessories(2)



Special Purpose Terminals(2)

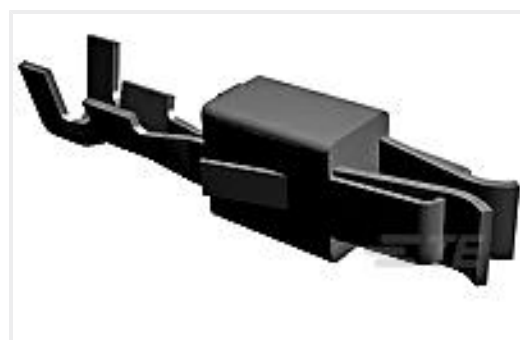
Customers Also Bought



TE Part #929504-2
2X 3P JUN POW TIMGH



TE Part #828906-2
BLINDSTOPFEN 1,5SYS



TE Part #927773-3
JPT REC 2.8 Contact SRC Sn



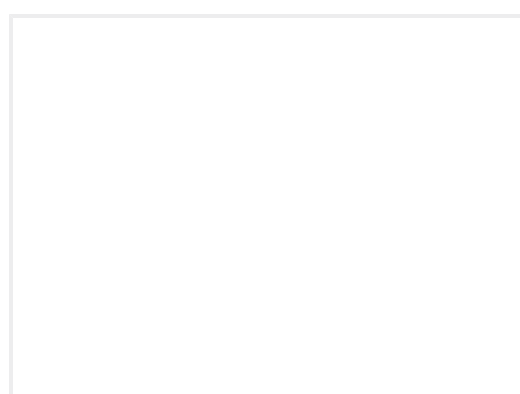
TE Part #K1040453
Toggle Switch 08-2-2-13 904



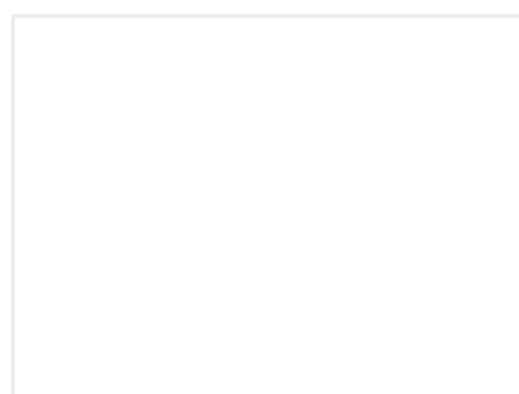
TE Part #K1002981
Toggle Switch 07-2-2-13



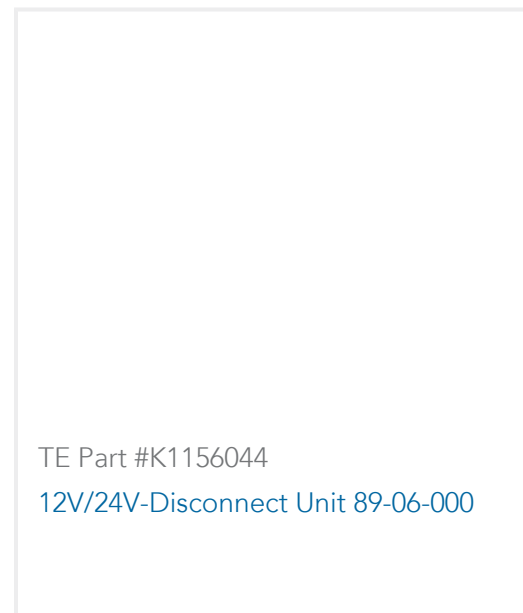
TE Part #K1060155
Relay 300A 24V S-FL LK 29-311-12-912



TE Part #K1124232
Relay 300A 24V OE SFL LK 29-331-12-933



TE Part #K1124233
Relay 29-011-12-913



Documents

CAD Files

3D PDF

3D

Customer View Model

[ENG_CVM_CVM_1-963212-1_D.2d_dxf.zip](#)

English

Customer View Model

[ENG_CVM_CVM_1-963212-1_D.3d_igs.zip](#)

English

Customer View Model

[ENG_CVM_CVM_1-963212-1_D.3d_stp.zip](#)

English

By downloading the CAD file I accept and agree to the [Terms and Conditions](#) of use.

Product Specifications

Application Specification

English