

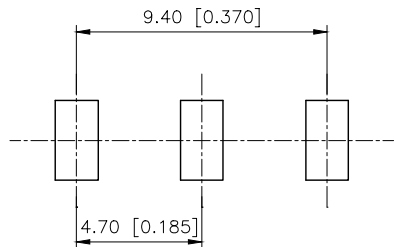
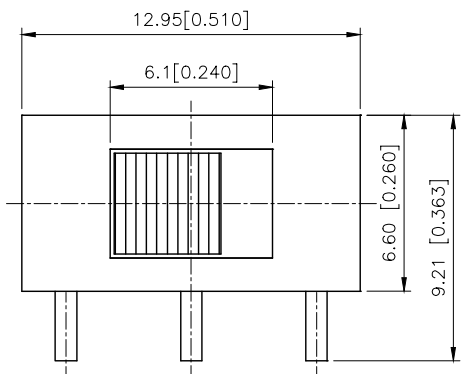
1

2

3

4

REVISIONS					
REV.	ECN NO.	LOCATION	DESCRIPTION	DATE	DESIGN
A0	N/A		INITIAL RELEASE	/	/
A1	N/A		图面升级整理图面	2025.06.17	阿树



P.C.B LAYOUT

SS-12D06 L 5

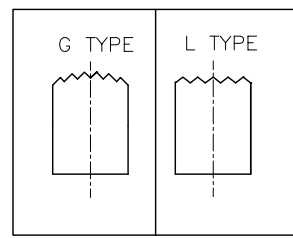
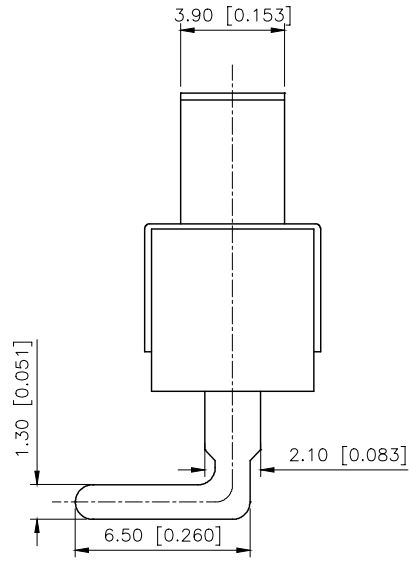
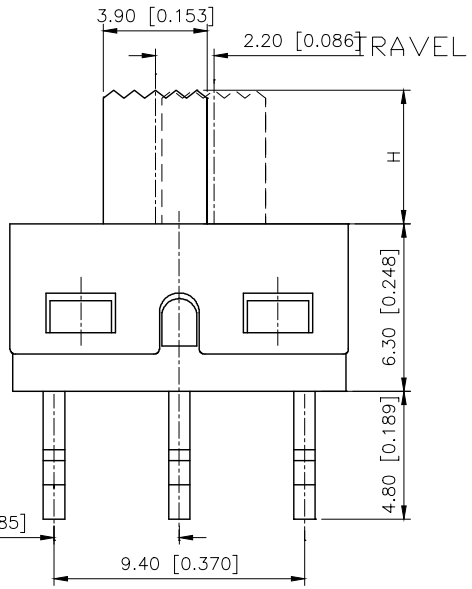
Knob Type	H(mm)	Colour
L	2~12	Blank:Standard Black
G		R:Red

A

A

B

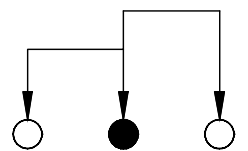
B



Typical Specifications  
 1.Rating:AC 125V 3A  
 2.Insulation Resistance:1,000M min  
 3.Dielectric strength:1,500V RMS  
 4.Operating Life: 10,000 cycles

C

C



SCHEMATIC

D

D

ITEM	PAPT NAME	QTY	MATERIAL	FINISHING
5	Terminal	3	Copper Alloy	silver plated
4	Contact	1	Copper Alloy	silver plated
3	Housing	1	Stainless Steel	
2	Slide Handle	1	Nylon	
1	Case	1	Diallyl Phthalate (DAP)	

AuGLAR	±5°
X.	±0.40
X.x	±0.30
X.xx	±0.20
X.xxx	±0.15
UNSPECIFIED TOLERANCES	



DESIGN	阿树	VIEW:		MODEL TYPE:	SLIDE SWITCH
CHECKED		UNIT:	mm/in	PART NO.:	SS-12D06 L5
APPROVED		SIZE:	A4	DWG NO.:	X-SS-12D06 L5

1

2

3

4