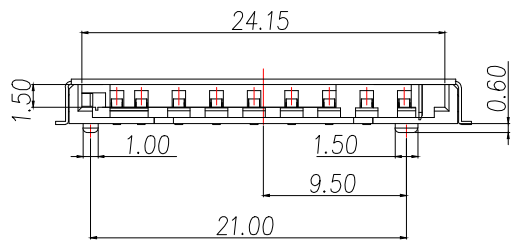
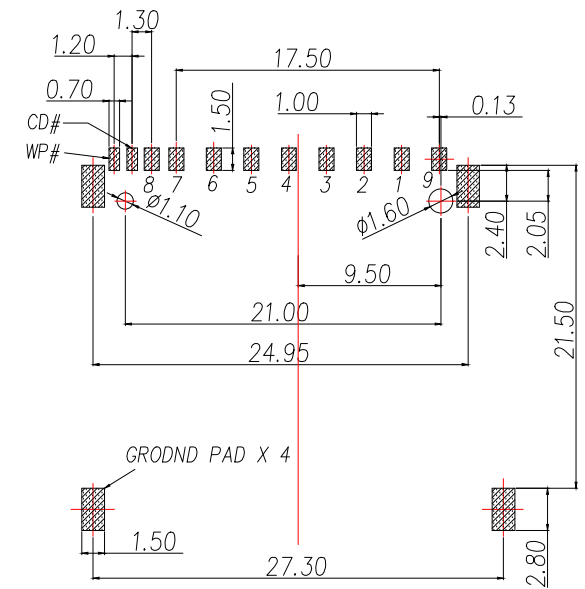


SPECIFICATIONS:

1.MECHANICAL:
 CARD PUSH INSERTION/OUT FORCE: 1.0~4.0KG
 DURABILITY: 5000 CYCLES

2.ELECTRICAL:
 CURRENT RATING: 0.5A
 WITHSTANDING VOLTAGE: 500V AC R.M.S.
 CONTACT RESISTANCE: 100M MAX.
 INSULATION RESISTANCE: 100M MIN.

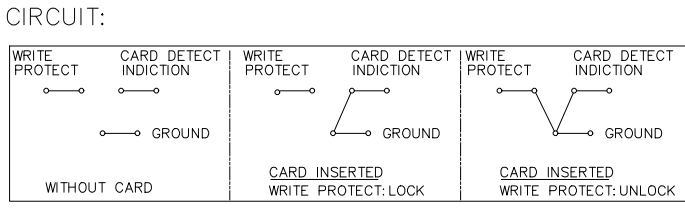
3.ENVIRONMENTAL
 TEMPERATURE RANGE: -40°C ~ +85°C



RECOMMENDED PCB LAYOUT
 GENERAL TOLERANCE ±0.05

SD CARD PIN DEFINE			
Pin#	Name	Type	Description
1	CD/DAT3	I/O/PP	Card Detect/Date Line [Bit3]
2	CMD	PP	Command/Response
3	Vss1	S	Supply voltage ground
4	VDD	S	Supply voltage
5	CLK	I	Clock
6	Vss2	S	Supply voltage ground
7	DAT0	I/O/PP	Date Line [Bit0]
8	DAT1	I/O/PP	Date Line [Bit1]
9	DAT2	I/O/PP	Date Line [Bit2]
10	CD		CARD DETECT
11	WP		WRITE PROTECT

NO	DESCRIPTION	QTY	MATERIAL	PLATING & COLOR
C	SHIELD	1	COPPER ALLOY 0.20t	Ni PLATING
B	CONTACT	11	COPPER ALLOY 0.20t	Gold Flash On Contact Area Matte-Tin plated on Solder tail All over Nickel Plated .
A	HOUSING	1	THERMOPLASTIC UL94-V0	WHITE

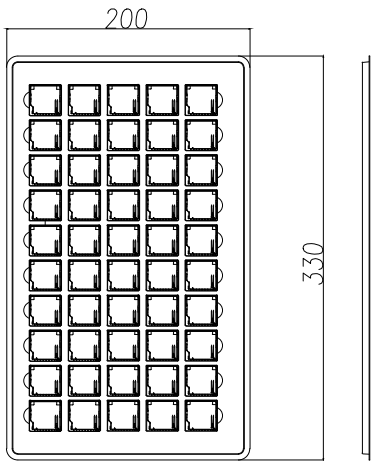


制图 DRAWN	变更内容 DESCRIPTION	日期 DATE	GENERAL TOLERANCE		制图 DRAWING
			X.±0.50	X.*±2°	
			.X±0.30	.X*±1°	审核 CHECK
			.XX±0.20		核准 APPROVAL
					单位 UNITS

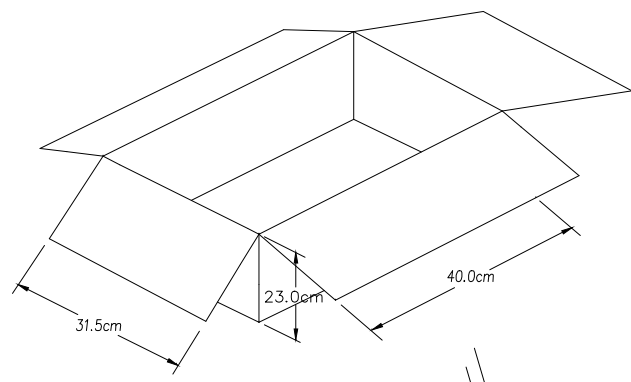
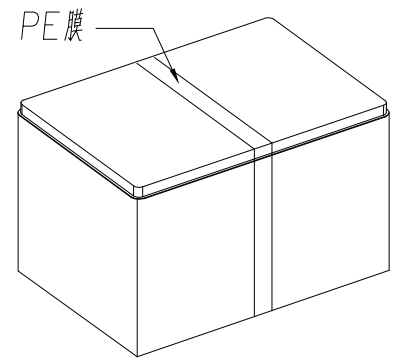
EMMA
 EVA
 JADE
 MM
 比例
 SCALE 1:1

料号 PART NO.	品名 TITLE	客户料号 CUTM.NO.	版本 REV.	页次 SHEET
BX-SD-2.8HY	SD CARD CONN PUSH LONG BODY SMT		A	1/1



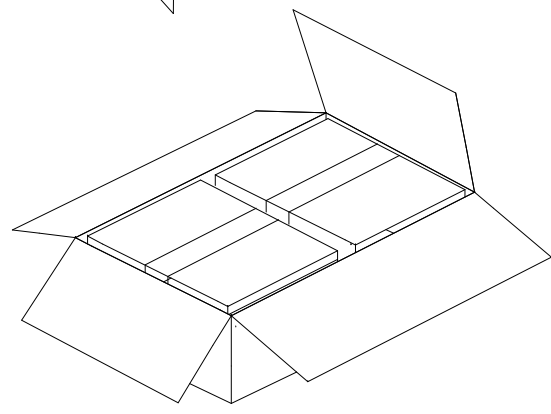
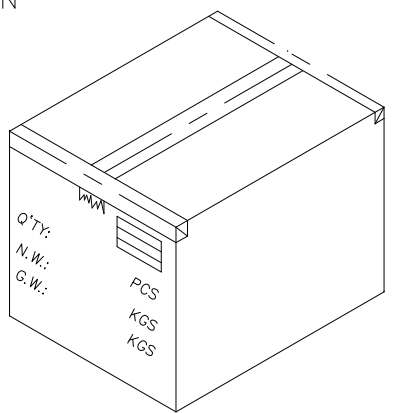


② TRAY
 SPEC: 20.0cm*33.0cm
 QUANTITY: 5X10=50PCS/TRAY



① : CARTON
 SPEC: 34.0cm*21.0cm*43.5cm
 QUANTITY: 50X20X5=5000PCS/CARTON

NOTE :
 Q'TY : 5000PCS/CTN
 N.W. : 10.0 Kg
 G.W. : 12.0 Kg



PACKING INFORMATION

PART NAME	SD-102-ACP11
QUANTITY OF PER TRAY	50PCS/TRAY
QUANTITY OF PER CARTON	50*10=5000PCS/CARTON
WEIGHT OF PER CARTON (NET WEIGHT)	10.0Kg
GROSS WEIGHT	12.0Kg
SIZE	34.0cm*21.0cm*43.5cm

ITEM	DESCRIPTIONS	MATERIAL	FINISH	Q'TY NOTE
1	CARTON	K=K		1
2	TRAY	PVC		100

制图 DRAWN	变更内容 DESCRIPTION	日期 DATE	GENERAL TOLERANCE		制图 DRAWING	EMMA	料号 PART NO.	BX-SD-2.8HY	版本 REV.	A
			X.±0.50	X.*±2°						
			.X±0.30	.X*±1°	审核 CHECK	EVA	品名 TITLE	SD CARD CONN PUSH LONG BODY SMT 封装	页次 SHEET	1/1
			.XX±0.20		核准 APPROVAL	JADE	客户料号 CUTM.NO.			
					单位 UNITS	MM	比例 SCALE	1:1		

