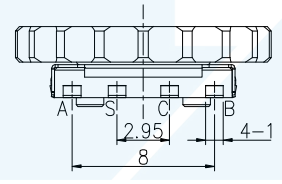
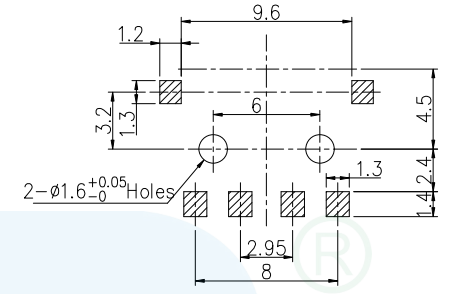
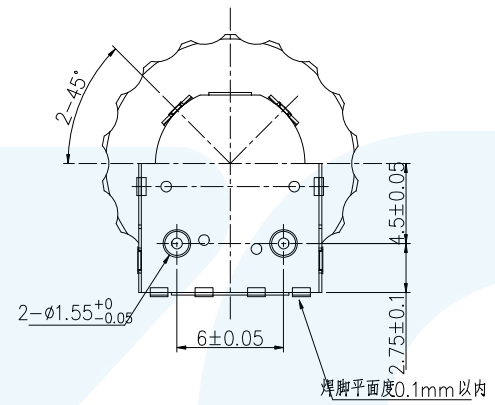
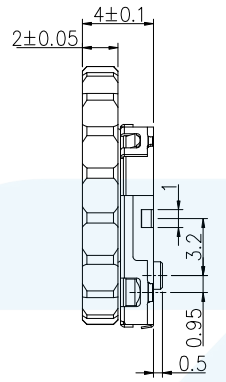
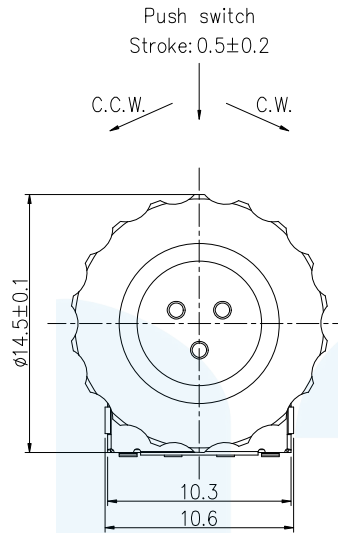
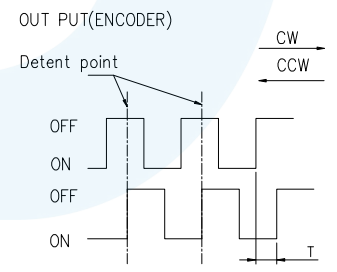
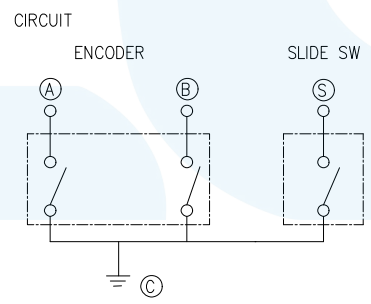


RoHS  
Compliant

ZONE	ECN.N.O.	DESCRIPTION	DRAWING	DATE
A		INITIAL	林生財	2024.03.12



A-C&B-C: ENCODER  
S-C: SLIDE SW  
C: COM



**LZG**® LZG INDUSTRIAL CO. LTD

PART NAME	微动开关编码器	TOLERANCE UNLESS	0.0±0.25	0.1±2°	UNIT: mm	APPROVAL:	林生財	DATE:	2024.03.12	SCALE	1:1
PART NO.	SIQ-02FVS3	OTHERWISE SPECIFIED:	0.00±0.15 0.000±0.05	0.0±1° 0.00±0.5°							

DRAWING NO.	SIQ-02FVS3	DRAWING	林生財	DATE:	2024.03.12	SCALE	1:1
		CHECK:	李宏鑫	DATE:	2024.03.12	MATERIAL	*
		APPROVAL:	杨进宝	DATE:	2024.03.12	DWG. NO.	
		DRAWING NO.	SIQ-02FVS3			SHEET	1/1