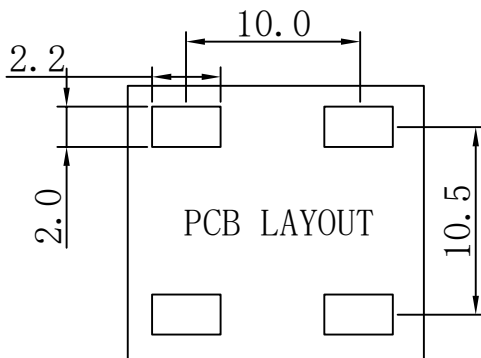
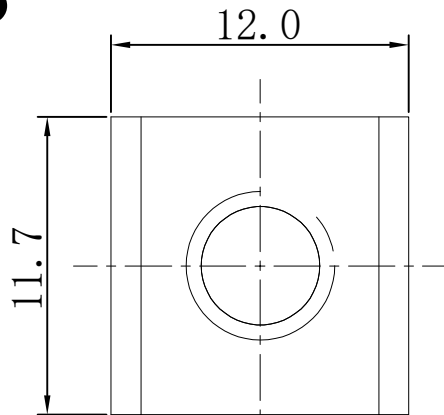
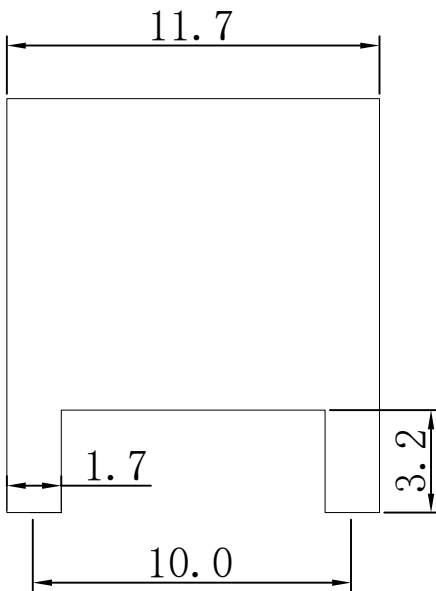
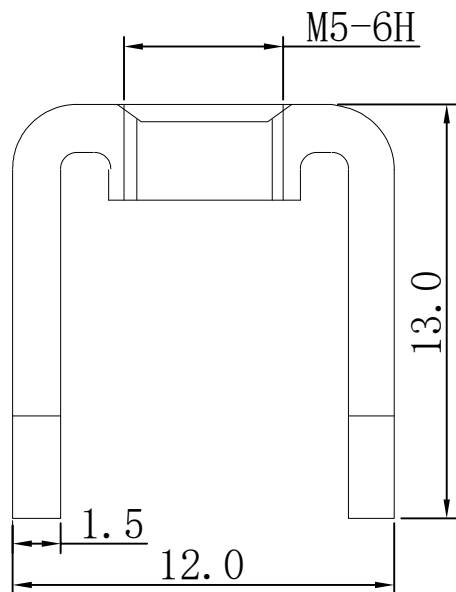


RoHS

REV	ECN NO.	DESCRIPTION	DESIGN	APPROVAL	DATE
A1	NEW	更换图框			2023.11.25



- 技术要求:
- 1.打铜底0.5-1μm,镍2-2.5μm, 镀雾锡3-5μm。
 - 2.铆好后不得有松动现象。
 - 3.插脚尖部符合可焊性要求。
 - 4.螺纹需符合通止规/止针要求。
 - 5.螺纹扭矩: 1.8Nm.
 - 6.额定电流: 80A.



>30.±0.4	X.°±
6-30±0.3	.X°±
0-6±0.2	.XX°±
ANGLES±1°	.XXX°±
UNITS:	mm

PART NO: T54117120-1300 **XFCN 兴飞连接器**

TITLE: PCB SOLDERING TERMINAL
0769-82001899
www.xfconn.com

APPD: Chen ZhiQiang
CHKD: Liu Wei
VIEW:

DRAW: Chen HongJiang
SCALE: SHEET NO: REV

DATE: 2024.02.22
NONE NO A1

序号	名称	零件编号	材质	数量
1	插脚		H62 (Y2)	1

THESE DRAWINGS AND SPECIFICATIONS ARE THE PROPERTY OF XFCN AND SHALL NOT BE REPRODUCED, COPIED OR CUED IN ANY MANNER WITHOUT THE PRIOR WRITTEN CONSENT OF XFCN