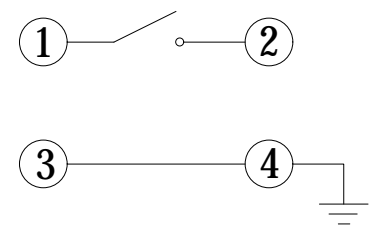
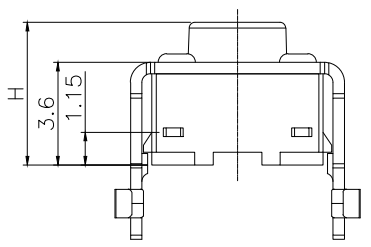
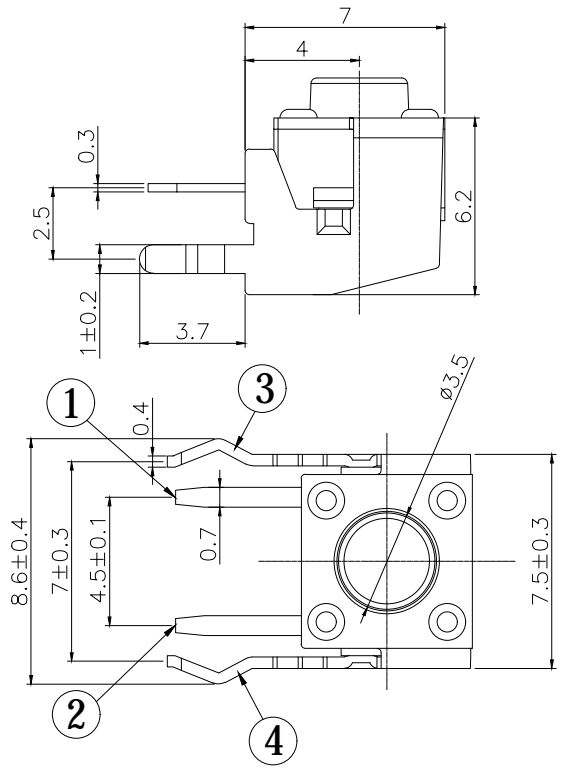
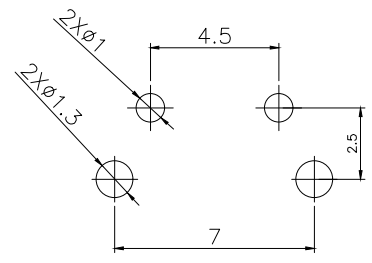
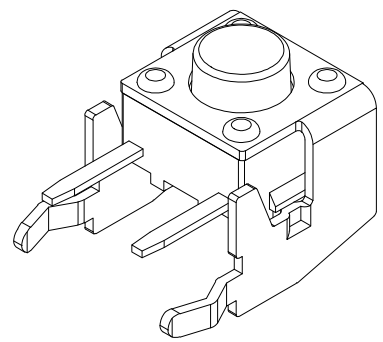


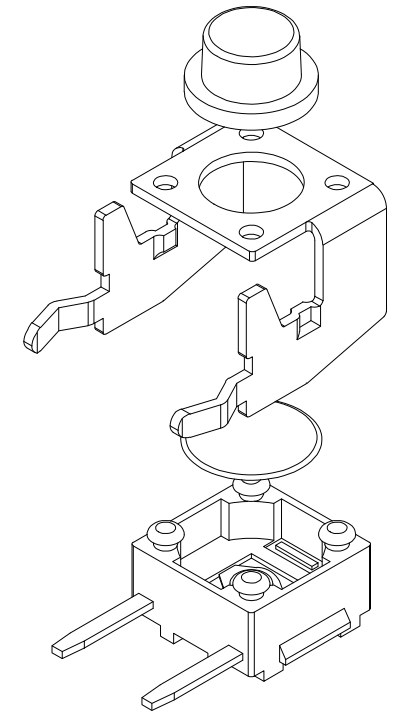
REV.	ECN NO OR DESCRIPTION	DRAW	DATE



CIRCUIT DIAGRAM



PCB. WELDING DRAWING



主要技术参数、性能
The Main Thchnology Performance

额定电流、电压 Rate voltage. current	50mA DC12V
接触电阻 Contact resistance	$\leq 100m\Omega$
按力 Operating force	$\pm 50gf$
行程 Travel	$0.25 \pm 0.10mm$
绝缘电阻 Insulated resistance	$\geq 100M\Omega$
介电强度 Dielectric strength	$\geq 250VAC/1min$

Part No	H(高度)	Part No	H(高度)
SMG-01Z-H043A1	4.30	SMG-01Z-H075A1	7.50
SMG-01Z-H045A1	4.50	SMG-01Z-H080A1	8.00
SMG-01Z-H050A1	5.00	SMG-01Z-H085A1	8.50
SMG-01Z-H055A1	5.50	SMG-01Z-H090A1	9.00
SMG-01Z-H060A1	6.00	SMG-01Z-H095A1	9.50
SMG-01Z-H065A1	6.50	SMG-01Z-H100A1	10.0
SMG-01Z-H070A1	7.00		

E	按钮	PPA	1	黑色
D	盖板	铁	1	镀铜锡
C	弹片	磷铜/不锈钢	1	镀银
B	本体	PPA	1	黑色
A	卡件	黄铜	1	镀银
项目 ITEM	名称 DESCRIPTION	材质 MATERIAL	数量 QTY	表面处理/颜色 FINSH/COLOR

GENERAL TOLERANCES (UNLESS SOECIFIED)	SCALE: 1:1 UNIT: MM	TITLE:	PART NO.
		6*6*X支架 250GF	SMG-01Z-HXXXA1
DISTANCE ANGLE X. ± 0.30 X.° $\pm 2.0^\circ$.X ± 0.20 .X° $\pm 1.0^\circ$.XX ± 0.15 .XX° $\pm 0.5^\circ$	Matthew	 SM switch Co., Ltd. 无锡斯茂科技有限公司 <small>ISO 9001/ISO14001</small>	SHEET NO 1 OF 1
	Benjamin		
	Michael		
DRAFT WHERE APPLICABLE MUST REMAIN WITHIN DIMENSIONS	Alexander Sophia	THIRD ANGLE PRDJECTION	