

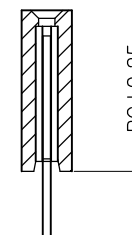
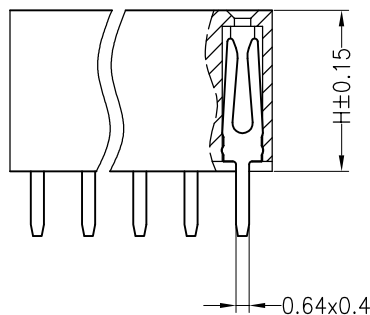
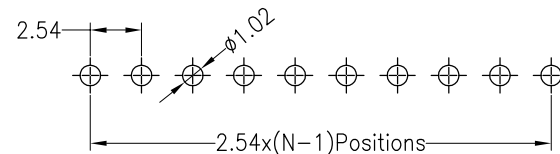
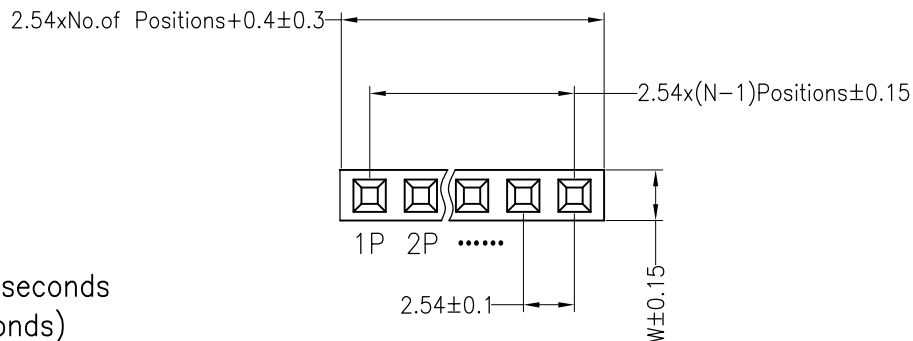
RoHS

SPECIFICATIONS

Rated Current:3.0AMP
 Contact Resistance:20mΩ Max
 Withstand Voltage:1000V AC/DC
 Insulation Resistance:1000MΩ Min
 Operation Temperature:-40°c to +105°c

Contact Material:Brass
 Contact Plating:Au1U
 Insulator Material:Polyester(UL94V-0)
 Standard: PA6T
 Max.Processing Temp: 230°C for 30-60 seconds
 (260°C for 10 seconds)

Recommended P.C.B Layout(Top Side)
 (PCB BOARD TOLERANCE±0.05)



Dimension antitheses list					
ITEM	PB	PC	PW	H	W
001		3.0		8.5	2.5
002					

				OPERATION		DRAW		SCALE		FIT		深圳市连盛精密连接器有限公司		
				X.X	±0.30			UNIT	mm					
				X.XX	±0.20	CHECK		SIZE	A4	PART NO.		1020300103		
				X.XXX	±0.10			SHEET	1/1	TITLE:		2.54FH H=8.5 W=2.5 1*20P DIP PC3.0 Y型		
				Angle	±3'	APPROVE		PROJ.	◆			AU1U 青铜 PA6T		
				DIM	TOL									
1	2	3	4	5	6	7	8	9						
REV	DATE	MODIFICATION DESCRIPTION		CHANGE										
A0	2014.03.28	NEW DRAWING												