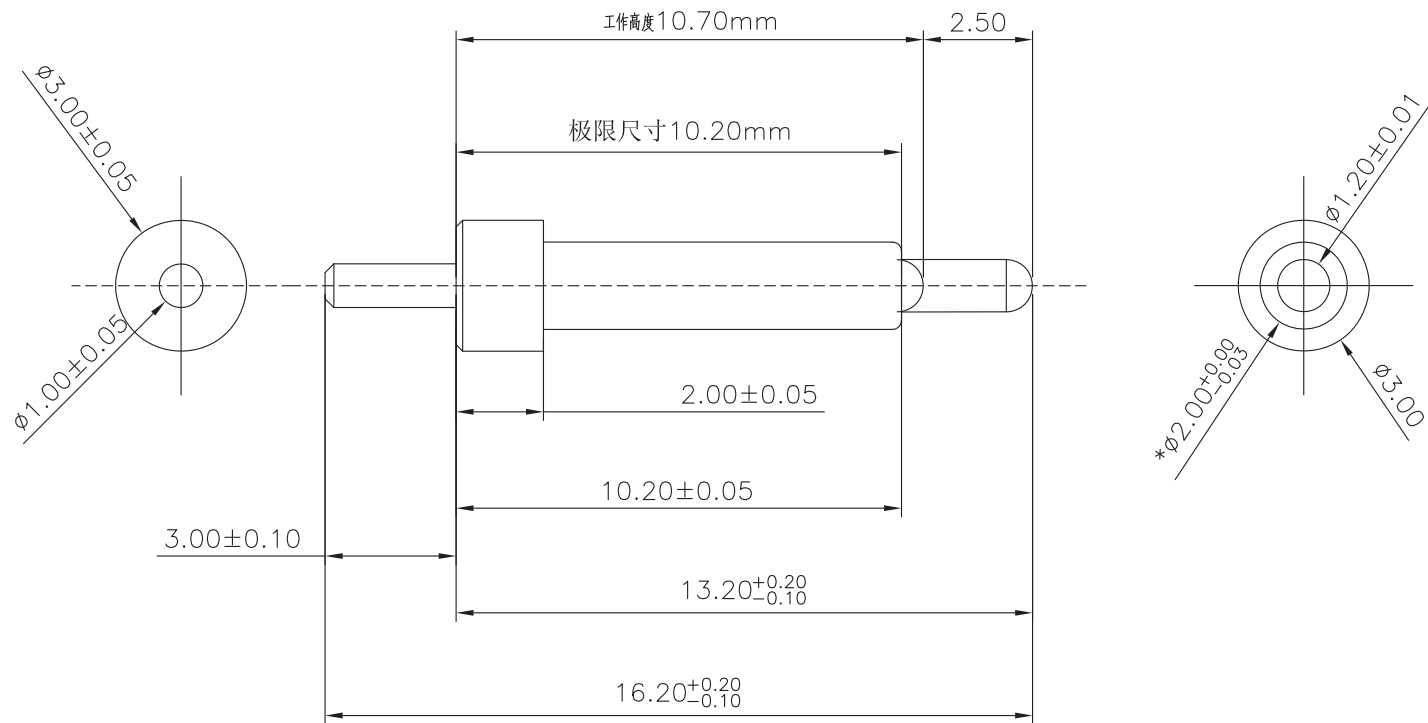


RoHS



Notes:

1. Materials:
  - 1.1 Plunger: Brass C3604
  - 1.2 Barrel: Brass C3604
  - 1.3 Spring: SUS304
2. Plating:
  - 2.1 Plunger: 12u" Au over 50-120u" Ni
  - 2.2 Barrel: 4u" Au over 50-120u" Ni
3. Electrical
  - 3.1 Rated Current & Voltage: DC12V, 2.0A
  - 3.2 Contact Resistance: 100mΩ Max. at working height
4. Operational Temperature: -40°C ~ +85°C
5. Mechanical
  - Force: 125 ± 20g, at working height
  - Durability: 10000 cycles
6. 24H delay test

5.0				DRAWING:	GENERAL TOLERANCE			
4.0				Frank	.X: = ±0.30	.X°: = ±2°		
3.0				CHECKED:	.XX: = ±0.20	.XX°: = ±1°	DESCRIPTION: POGO pin Connector	
2.0				yang jie	.XXX: = ±0.10	.XXX°: = ±0.5°		
1.0				APPROVAL:	UNIT: MM	PROJECTION:	SERIES: PG1000 SERIES	REV: 1.0
REV.	DATE	DESCRIPTION	DRAWING		SCALE: 1/1		PART NO: PG1000-01-012P	SIZE: A4
					SHEET: 1/1		CUSTOMER P/N:	