

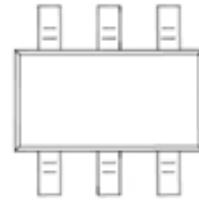


概述:

BA6208S是一块单片双向马达驱动电路，它使用TTL电平的逻辑信号就能控制卡式录音机和其它电子设备中的双向马达。

该电路由一个逻辑部分和一个功率输出部分组成。逻辑部分控制马达正、反转向及制动，功率输出部分根据逻辑控制能提供100mA（典型值）电流。

电路采用 SOT-23-6L 的封装形式封装。



SOT-23-6L

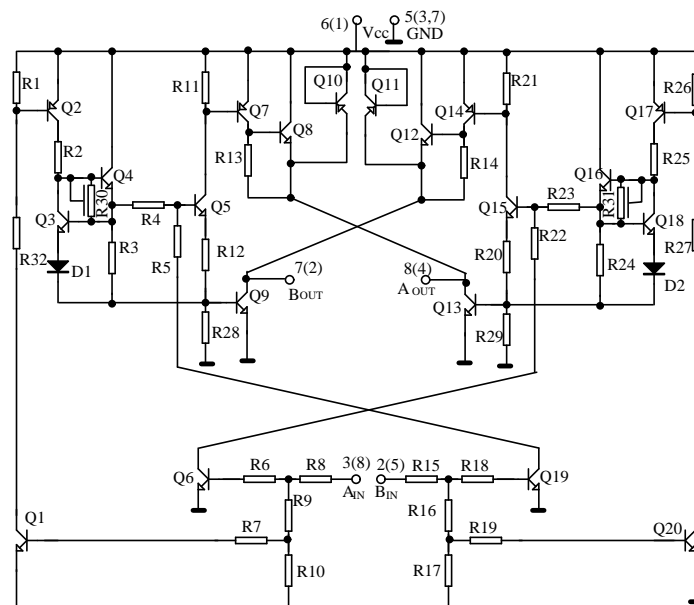
主要特点:

- 内设马达驱动功率晶体管(典型100mA)
- 可施加制动，强制马达停止(输入A和B都为高电平)
- 内设保护二极管，吸收冲击电流
- 输入A和B都为低电平时，具有非常小的待机电流
- 工作电源电压范围宽(4.5V~18.0V)
- 用 TTL 逻辑信号直接控制

应用:

- 卡式录音机双向马达
- 其它电子设备双向马达

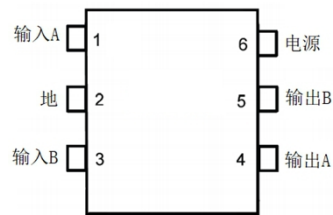
功能框图:



注：括号内的数字为BA6208S SOP8 封装的管脚号



管脚排列图:



SOT-23-6L

管脚描述:

管脚号	管脚名称	功能描述
SOT-23-6L		
	NC	空脚
3	Bin	B 通道输入
1	Ain	A 通道输入
	NC	空脚
2	GND	地
6	Vcc	电源
5	Bout	B 通道输出
4	Aout	A 通道输出
	NC	空脚

极限值: (绝对最大额定值, 若无其它规定, Tamb=25℃)

参数名称	符号	参数值		单位
		最小	最大	
电源电压	Vcc	-	22	V
最大输出电流	Iout	-	500	mA
功耗	P _D		220	mW
工作环境温度	Tamb	-20	60	℃
贮存温度	Tstg	-55	125	℃

注 (*1): 在 25℃ 以上使用时, 环境温度每升高 1℃, 功耗减少 7mW。

注 (*2): 在 25℃ 以上使用时, 环境温度每升高 1℃, 功耗减少 4.5mW。

注 (*3): 在 25℃ 以上使用时, 环境温度每升高 1℃, 功耗减少 2.5mW



推荐工作条件:

参数名称	符号	最小	典型	最大	单位
电源电压	Vcc	4.5		18	V

输入/输出真值表:

A 输入	B 输入	A 输出	B 输出
H	L	H	L
L	H	L	H
H	H	L	L
L	L	开路	开路

注: 高电平输入2.0V 或以上。 低电平输入0.8V 或以下。

电特性: (若无其它规定, Vcc=9V, Tamb=25℃)

特性	测试条件	符号	规范值			单位
			最小	典型	最大	
输出电流		Io	200			mA
输出饱和压降	Io=100mA	Vces		1.0	1.6	V
输入高电平电压		VIH	2.0			V
输入低电平电压		VIL			0.8	V
待机电流	输入A、B 都为低电平	Ist			0.4	mA
输入高电平电流	VIH=4.5V	IiH		250	400	μA

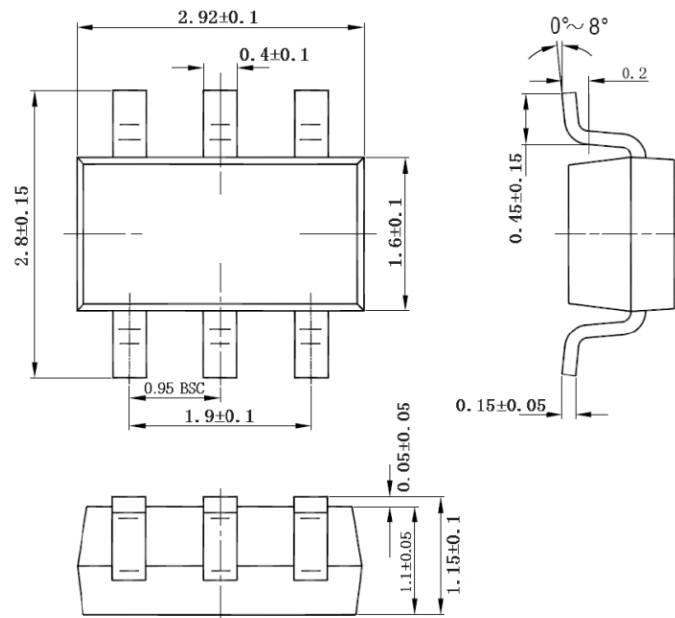
电路内部建有抗冲击保护二极管, 该保护二极管至少能吸收500mA 的冲击电流, 该冲击电流脉冲宽度10ms 和占空比10%或更小。



封装外形图:

SOT-23-6L

Unit:mm





Attention

- Any and all HUA XUAN YANG ELECTRONICS products described or contained herein do not have specifications that can handle applications that require extremely high levels of reliability, such as life-support systems, aircraft's control systems, or other applications whose failure can be reasonably expected to result in serious physical and/or material damage. Consult with your HUA XUAN YANG ELECTRONICS representative nearest you before using any HUA XUAN YANG ELECTRONICS products described or contained herein in such applications.
- HUA XUAN YANG ELECTRONICS assumes no responsibility for equipment failures that result from using products at values that exceed, even momentarily, rated values (such as maximum ratings, operating condition ranges, or other parameters) listed in products specifications of any and all HUA XUAN YANG ELECTRONICS products described or contained herein.
- Specifications of any and all HUA XUAN YANG ELECTRONICS products described or contained herein stipulate the performance, characteristics, and functions of the described products in the independent state, and are not guarantees of the performance, characteristics, and functions of the described products as mounted in the customer's products or equipment. To verify symptoms and states that cannot be evaluated in an independent device, the customer should always evaluate and test devices mounted in the customer's products or equipment.
- HUA XUAN YANG ELECTRONICS CO.,LTD. strives to supply high-quality high-reliability products. However, any and all semiconductor products fail with some probability. It is possible that these probabilistic failures could give rise to accidents or events that could endanger human lives, that could give rise to smoke or fire, or that could cause damage to other property. When designing equipment, adopt safety measures so that these kinds of accidents or events cannot occur. Such measures include but are not limited to protective circuits and error prevention circuits for safe design, redundant design, and structural design.
- In the event that any or all HUA XUAN YANG ELECTRONICS products(including technical data, services) described or contained herein are controlled under any of applicable local export control laws and regulations, such products must not be exported without obtaining the export license from the authorities concerned in accordance with the above law.
- No part of this publication may be reproduced or transmitted in any form or by any means, electronic or mechanical, including photocopying and recording, or any information storage or retrieval system, or otherwise, without the prior written permission of HUA XUAN YANG ELECTRONICS CO.,LTD.
- Information (including circuit diagrams and circuit parameters) herein is for example only ; it is not guaranteed for volume production. HUA XUAN YANG ELECTRONICS believes information herein is accurate and reliable, but no guarantees are made or implied regarding its use or any infringements of intellectual property rights or other rights of third parties.
- Any and all information described or contained herein are subject to change without notice due to product/technology improvement, etc. When designing equipment, refer to the "Delivery Specification" for the HUA XUAN YANG ELECTRONICS product that you intend to use.