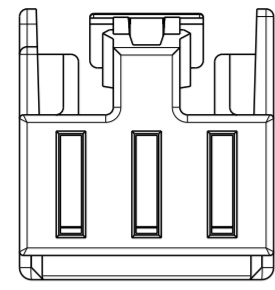


THIS DRAWING IS UNPUBLISHED. RELEASED FOR PUBLICATION 20
 © COPYRIGHT 20 BY - ALL RIGHTS RESERVED.

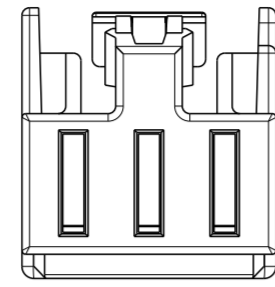
REVISIONS				
P	LTR	DESCRIPTION	DATE	APVD
C		NEW DRAWING	14JUN2017	AP VN

TABLE OF POLARIZ. KEYS/COLOURS AND RELEVANT AMP P/NoS

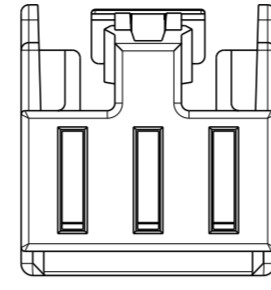
SCALE 2:1



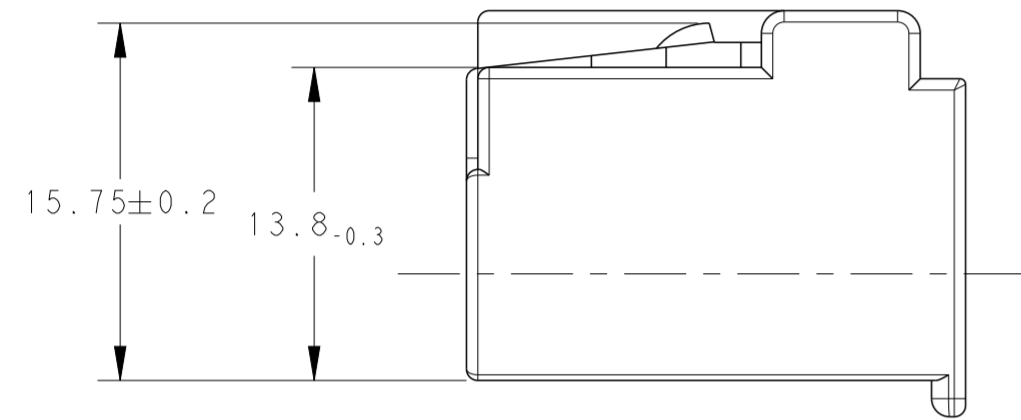
281872-1
COLOR NATURAL



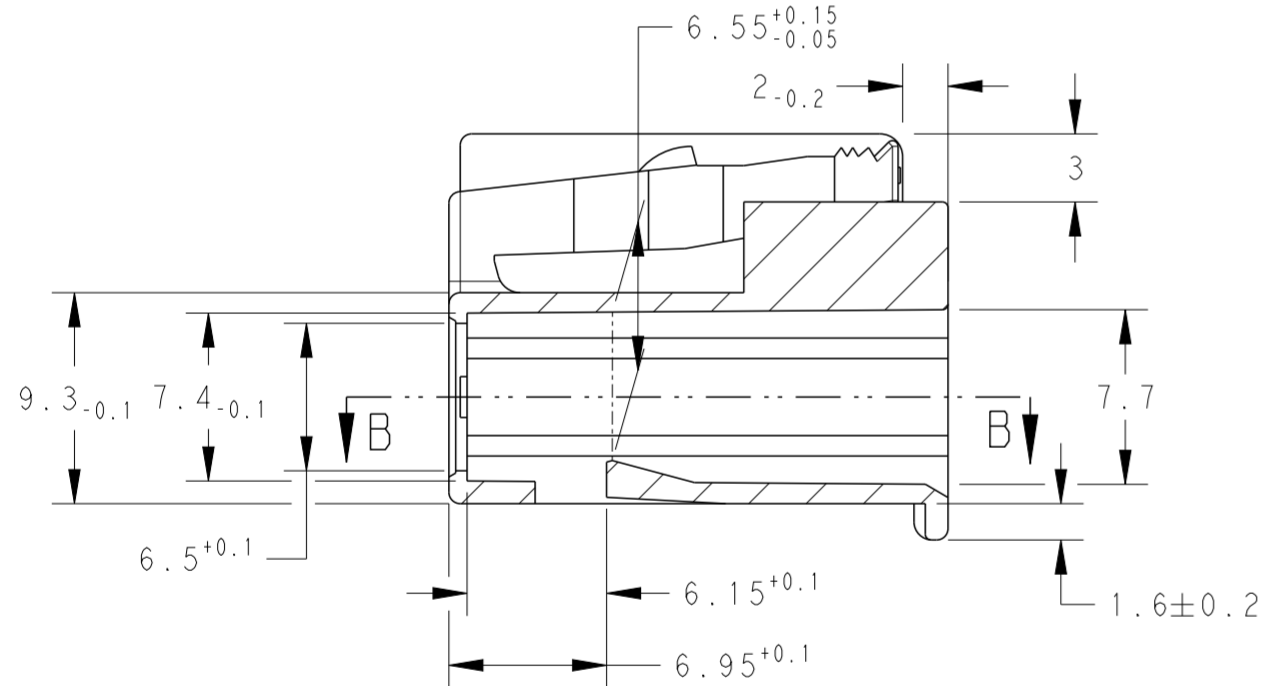
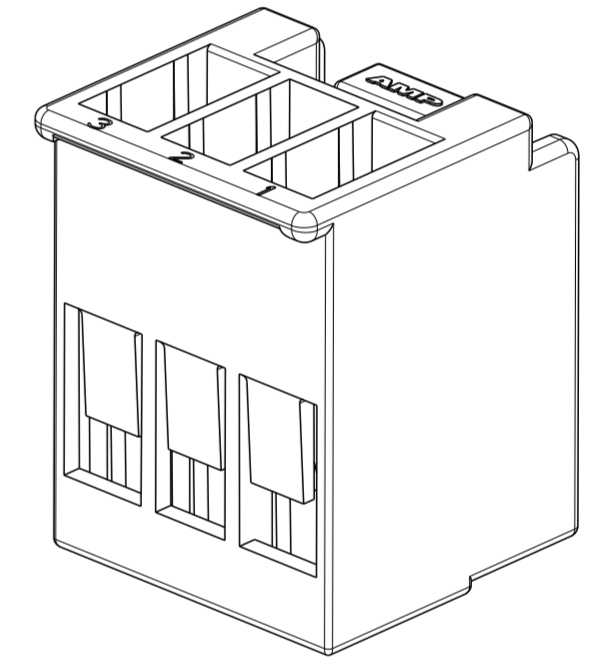
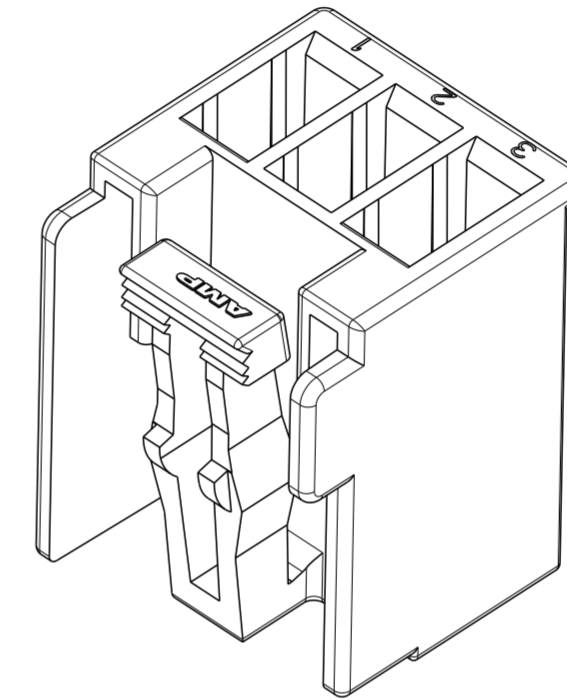
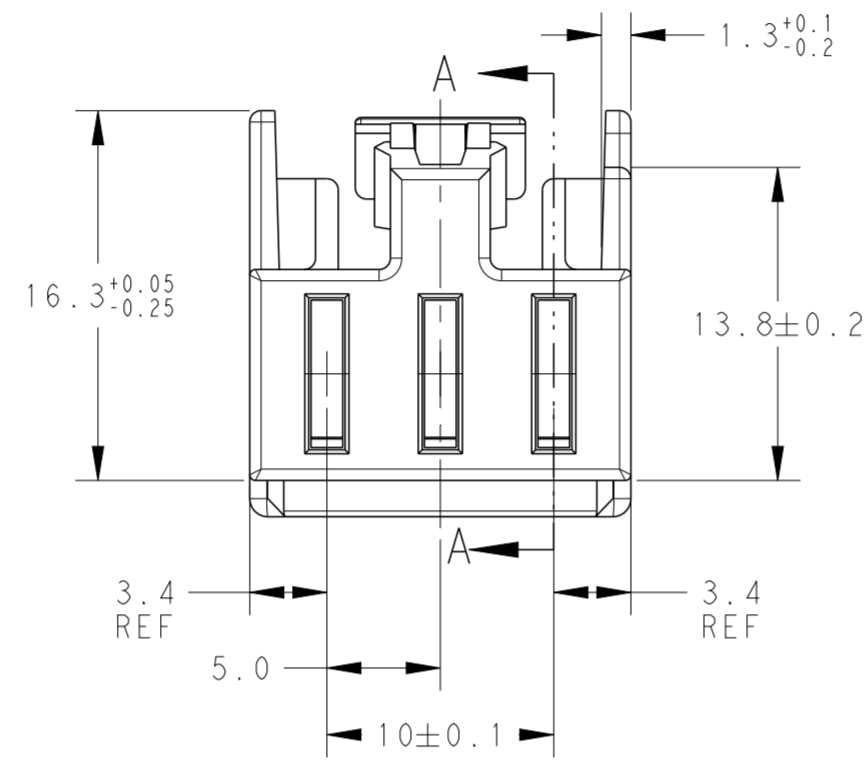
281872-3
COLOR BLACK



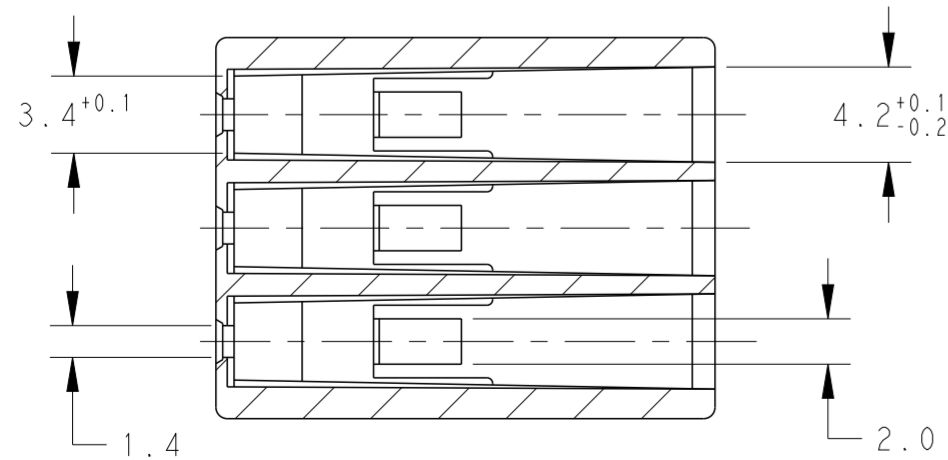
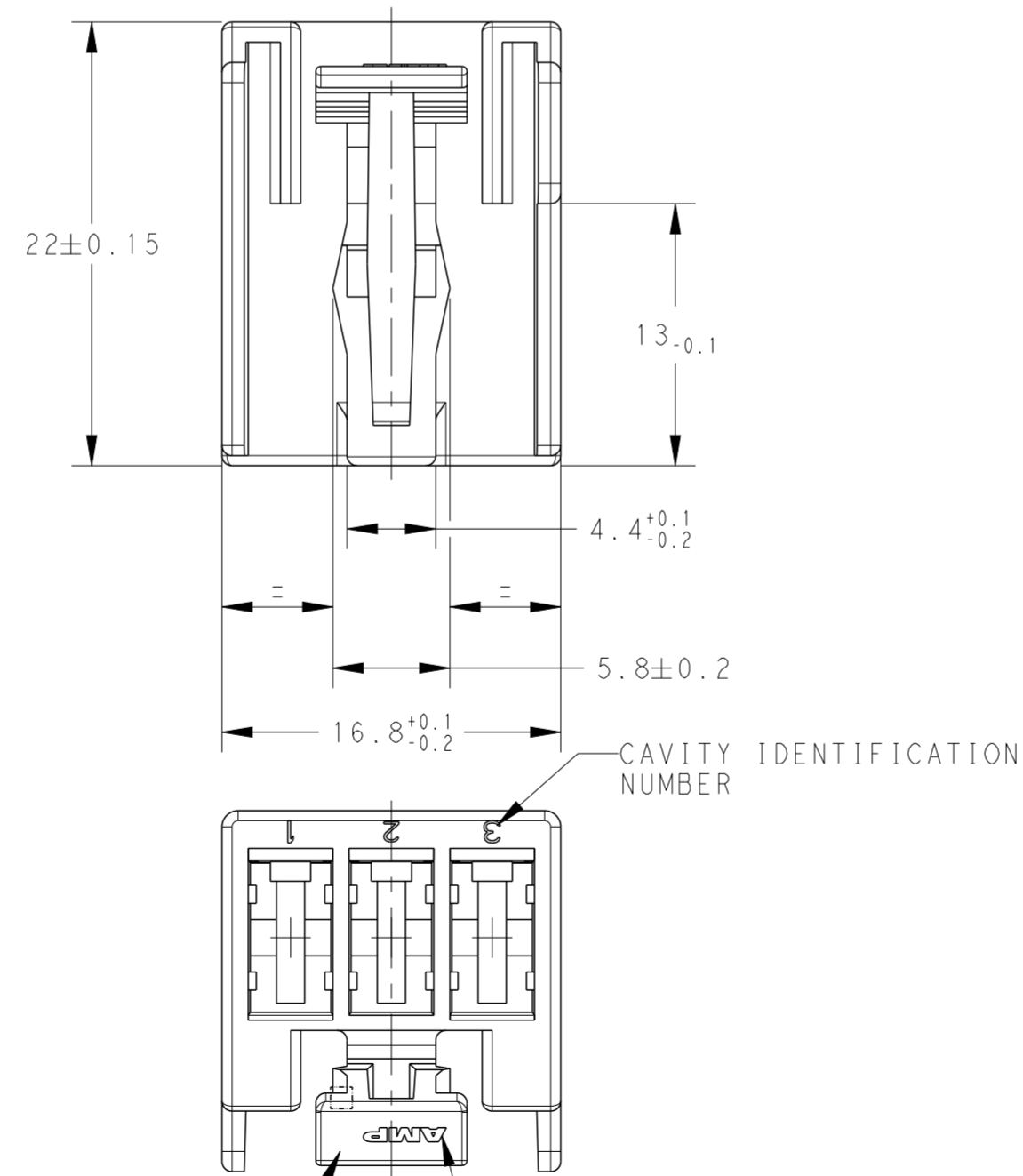
281872-2
COLOR BROWN



SECTION A-A
SCALE 3:1



SECTION B-B



BLACK		281872-3
BROWN	PA66-GF30	281872-2
NATURAL		281872-1
FINISH/COLOUR	MATERIAL	PART NUMBER

P/N 281872-1 AS SHOWN

THIS DRAWING IS A CONTROLLED DOCUMENT.		DWN AJITH PAI 22JUN2017	TE Connectivity	
DIMENSIONS: mm		CHK VISHWANATH NAIK 22JUN2017		
TOLERANCES UNLESS OTHERWISE SPECIFIED:		APVD MARIO GHISOLETTI 27JUN2017	NAME 5mm PITCH RECEPTACLE CONN. HOUSING 3POS.	
0 PLC ±0.3		PRODUCT SPEC 108-20111	SIZE A200779	
1 PLC ±0.1		APPLICATION SPEC	CAGE CODE C-281872	
2 PLC ±0.05		WEIGHT	DRAWING NO -	
3 PLC ±		RESTRICTED TO	-	
4 PLC ±		CUSTOMER DRAWING	SCALE 5:1 SHEET 1 OF 1 REV C	
ANGLES ±0°30'				
FINISH				