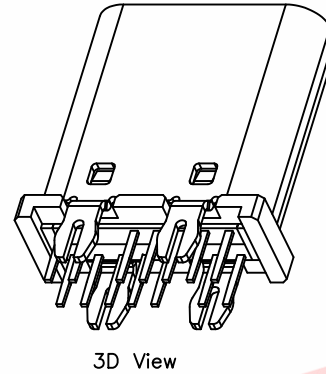
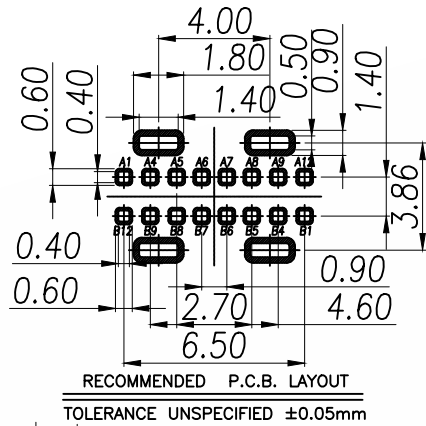
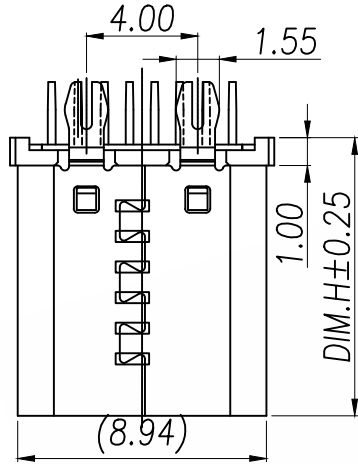
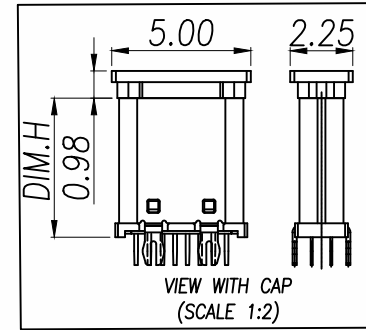
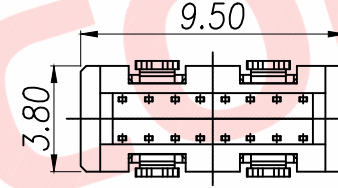
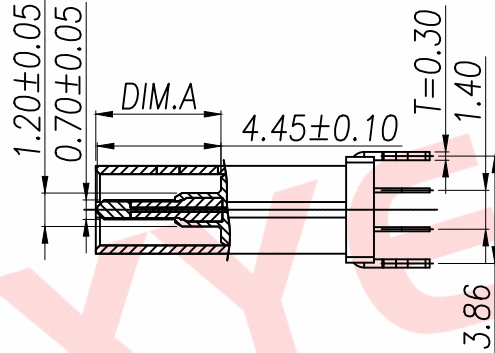
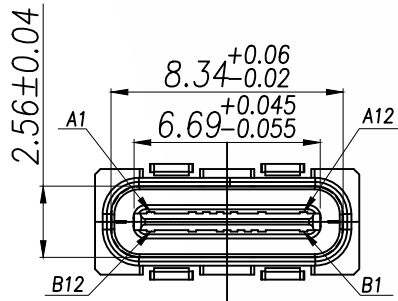


REV.	Q'TY	ECN. NO.	APR.	DATE



SPECIFICATION:

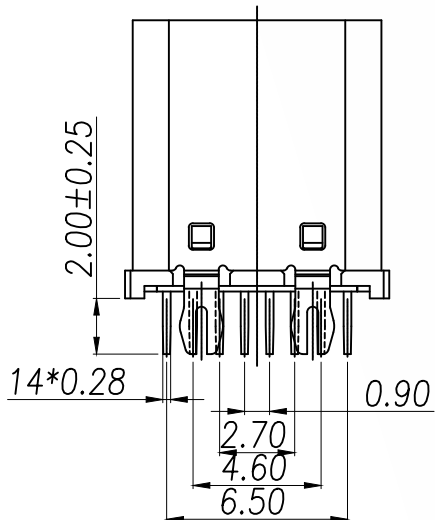
- MATERIAL & FINISH:SEE THE LIST;
- PLATING SPECIFICATION:
 - CONTACTS:
 - Ni 50u" MIN. UNDER PLATED OVER ALL.
 - Au PLATED ON THE MATING AREA OF CONTACT.
 - Au PLATED ON THE SOLDER AREA.
 - SHELL: Ni 30u" MIN. UNDER PLATED OVER ALL.
 - MID PLATE: CLEAR ONLY
- MECHANICAL:
 - MATING FORCE: 0.5~2.0kgf;
 - UNMATING FORCE: 0.8~2.0kgf.
 - DURABILITY: 10000 CYCLES;
- ELECTRICAL:
 - CURRENT RATING: 5A Max;
 - VOLTAGE RATING: 20V Max;
 - DIELECTRIC WITHSTANDING VOLTAGE: 100VAc;
 - CONTACT RESISTANCE: 40mΩ Ohms Max.;
 - INSULATION RESISTANCE: 100M Ohms Min.;
- ENVIRONMENTAL:
 - OPERATING TEMPERATURE: -40°C~+85°C;
 - WETTING TEMPERATURE: 265±5°C, 5±0.5s
 - Salt Spray Test: 48H Min



PIN DEFINE TABLE			
PIN	SIGNAL	PIN	SIGNAL
A12	GND	B1	GND
A11	-	B2	-
A10	-	B3	-
A9	VBUS	B4	VBUS
A8	SBU1	B5	CC2
A7	D-	B6	D+
A6	D+	B7	D-
A5	CC1	B8	SBU2
A4	VBUS	B9	VBUS
A3	-	B10	-
A2	-	B11	-
A1	GND	B12	GND

P/N		DIM.H	DIM.A	Remark
TYPE-C-F30-2CBWH100-H		10.0	4.50	LCP BLACK
TYPE-C-F30-2CBWH100-J		10.0	4.50	PA10T ORANGE
TYPE-C-F30-2CBWH105-H		10.5	5.00	LCP BLACK

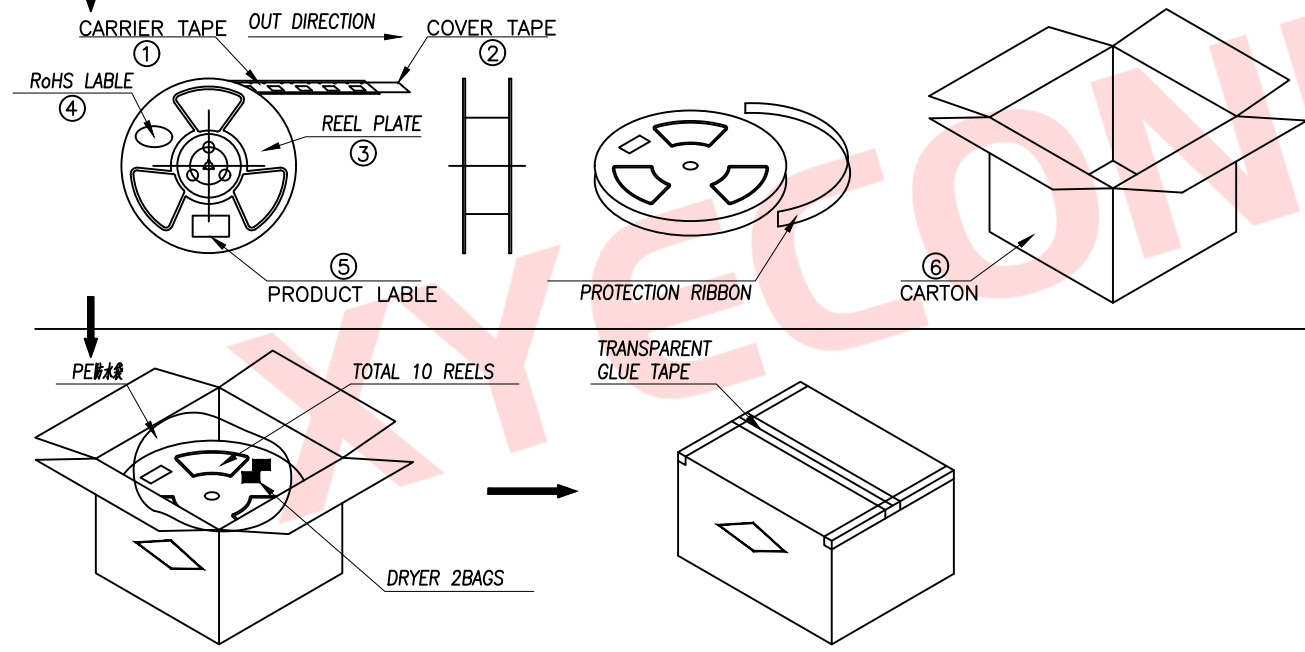
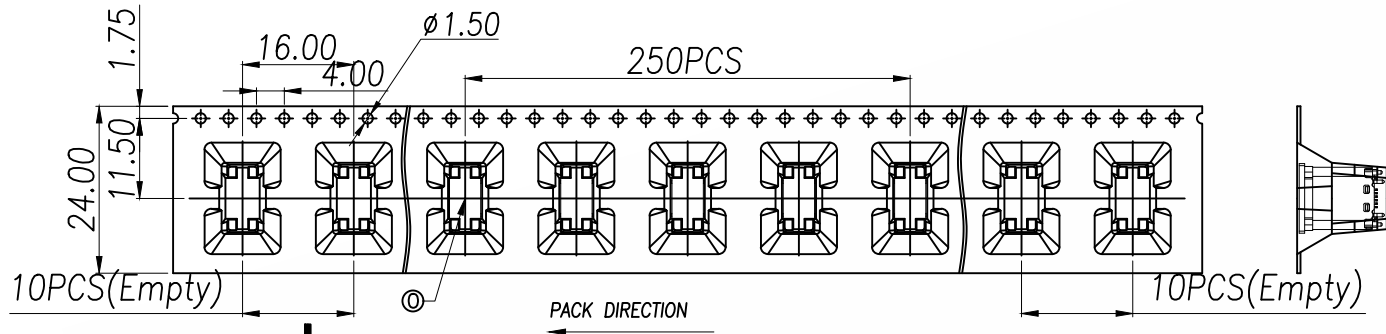
NO.	PART NAME	Q'TY	MATERIAL	FINISH
4	Shell	1	Stainless Steel, T=0.30mm	30u"Ni Min.
3	GroundBar	1	Stainless Steel, T=0.15mm	No Plating
2	Contact	14	Copper Alloy, T=0.15mm	Au/Sn/Ni-Plated
1	Housing	1	High temperature plastic	UL94 V-0



DIMENSION IN mm	
TOLERANCE UNLESS OTHERWISE SPECIFIED	
.X±0.50	X.*± 5°
.XX±0.35	.X.*± 3°
.XXX±0.25	.XX.*± 2.5

厦门市辛译精密电子有限公司
Xiamen XinYi Xyconn Electronics Co.,Ltd

APR.	Alex	TITLE:	TYPE-C 16P 插拔 DIP 间距 H10.0&10.5mm
CHK.	Jack	DWG NO.	TYPE-C-F30-2CBWHXXX-X
DRA.	Can	PROJ.	CUSTOMER DRAWING
SIZE	A4	SCALE	1:1
SHEET	1/1	REV.	A



- 说明:
- 每卷前后各空10PCS,尾部用美纹纸封住;
 - 将产品放满盘后,再卷一圈保护带,用美纹纸将其封住,并贴上1Pcs物料标签;
 - 每10卷盘一卷共3000Pcs并装入1个外箱内;
 - 在搬运过程中要轻拿轻放;
 - 在运输中不可堆放过高(1.8M最高),不可重压;
 - 跌落测试条件:
成品箱从1.2米高度自由落体(一角三棱六面):
a. 产品不可露出下等凹槽;
b. 产品不可有划伤,变形;
c. 内包装材料不可严重破裂.

NO.	NAME	SPEC	Q'TY
0	TYPE C RECEPTACLE		2500PCS/CARTON
1	CARRIER TAPE	W=24mm,T=0.50mm	250PCS/PLATE
2	COVER TAPE	W=21.3mm	10PLATES/CARTON
3	REEL PLATE	φ330*100*24.4mm	10PCS/CARTON
4	RoHS LABEL		10PCS/CARTON
5	PRODUCT LABER		10PCS/CARTON
6	CARTON	350*340*310mm	1PCS/PACKAGE

DIMENSION IN mm		TOLERANCE UNLESS OTHERWISE SPECIFIED		厦门市辛译精密电子有限公司 Xiamen XinYi Xyconn Electronics Co.,Ltd	
.X±0.50	X.*± 5°	APR.	Alex	TITLE: TYPE-C 16P±0.1mm DIP型 间距 H10.0&10.5mm	
.XX±0.35	.X*± 3°	CHK.	Jack	DWG NO. TYPE-C-F30-2CBWHXXX-X	
.XXX±0.25	.XX*± 2.5	DRA.	Can	PROJ. CUSTOMER DRAWING	
		SIZE	A4	SCALE	1:1
		SHEET	1/1	REV.	A