

GT-TC125X-HXXX-LX

G-Switch

Operating Force

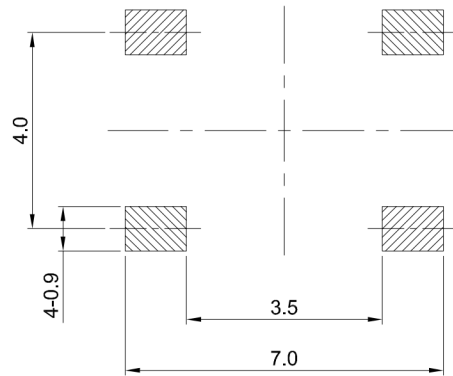
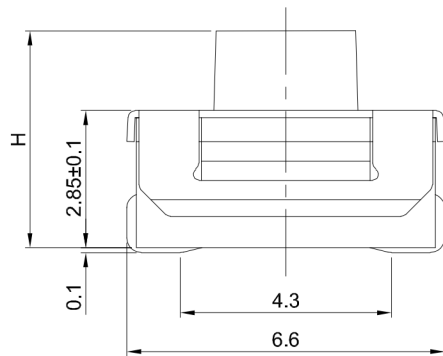
A=160gf
B=250gf
C=350gf
D=400gf

Switch Height

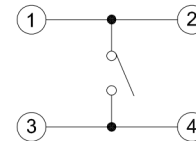
H031=3.1mm
H034=3.4mm
H035=3.5mm
H043=4.3mm
H049=4.9mm
H050=5.0mm
H052=5.2mm

Switch Lifetime (Force)

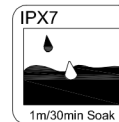
L1=100,000 Cycles
L3=300,000 Cycles
L5=500,000 Cycles



RECOMMENDED PCB LAYOUT
TOLERANCE:±0.05



CIRCUIT DIAGRAM



G-Switch Specification:

1. Operating temperature range: -40°C ~ +85°C
2. Rating: 50mA, 12V DC
3. Insulation resistance: 100MΩ min, 100V DC
4. Dielectric strength: 250V AC for 1 min
5. Contact resistance: 100mΩ max.
6. Travel: 0.35±0.1mm
7. Waterproof grade: IPX7

6	SILICONE PAD	SILICA GEL	WHITE
5	COVER	STAINLESS STEEL	
4	STEM	HIGH TEMPERATURE PLASTIC	BLACK
3	CONTACT	STAINLESS STEEL	Ag PLATING
2	TERMINAL	COPPER ALLOY	Ag PLATING
1	BASE	HIGH TEMPERATURE PLASTIC	BLACK
NO.	PART NAME	MATERIAL	REMARK



RoHS
Compliant
EU RoHS Standards



SCALE: 1:1 UNIT: mm
SIZE: A4

Unless otherwise
General Tolerance:
X. ±0.25
X.x ±0.20
X.xx ±0.15
X° ±5°
X.x° ±3°

Title: Vertical Tact Switch SMT U Type 6.5×6.2×Hmm			
Molde Code: GT-TC125X-HXXX-LX			
DRAWN	CHECKED	APPROVED	DATE
Xia	Chen	Chen	2023.02.01



REV: A0 SHEET: 1/1