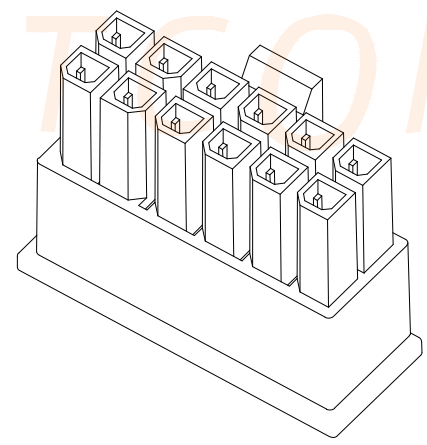
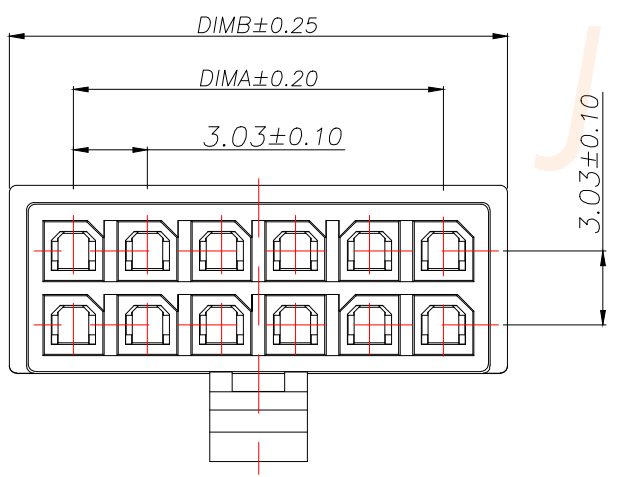
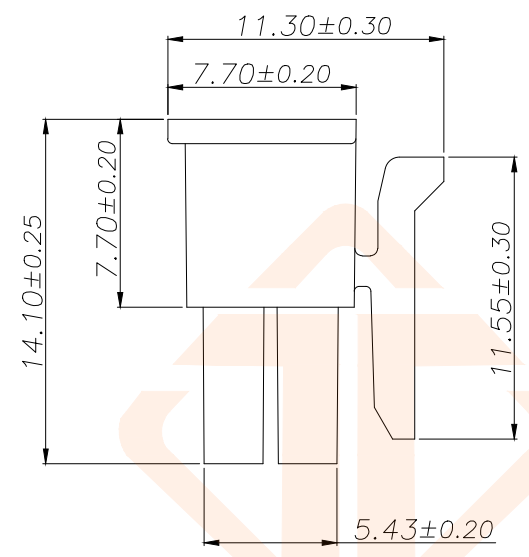
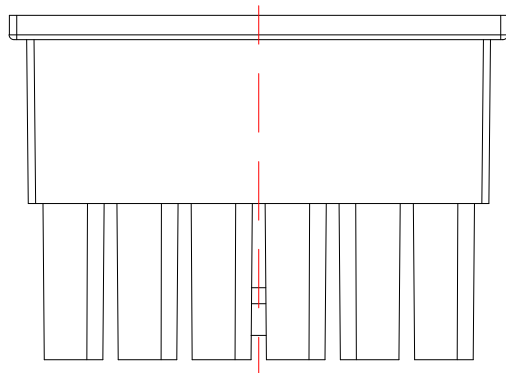




REV.	ECN NO.	DESCRIPTION	DATE	DESIGN

技术指标:

1. 温度范围: $-25^{\circ}\text{C} \sim 85^{\circ}\text{C}$.
2. 额定电压: 250V AC, DC.
3. 耐电压: 1500V AC/minute.
4. 接触电阻: $\leq 20\text{m}\Omega$.
5. 绝缘电阻: $\geq 1000\text{M}\Omega$.
6. 额定电流: 5A AC, DC.



型号	CKT	A	B
C300E12-B2P12	2*1	0.00	5.20
C300E12-B4P12	2*2	3.00	8.20
C300E12-B6P12	2*3	6.00	11.20
C300E12-B8P12	2*4	9.00	14.20
C300E12-B10P12	2*5	12.00	17.20
C300E12-B12P12	2*6	15.00	20.20
C300E12-B14P12	2*7	18.00	23.20
C300E12-B16P12	2*8	21.00	26.20
C300E12-B18P12	2*9	24.00	29.20
C300E12-B20P12	2*10	27.00	32.20
C300E12-B22P12	2*11	30.00	35.20
C300E12-B24P12	2*12	33.00	38.20

TOLERANCE		深圳聚兴泰电子科技有限公司 Shenzhen Juxingtai Electronic Technology Co., Ltd	
X.X ±0.30	X.* ±5°	PART NO.	TITLE:
.XX ±0.25	X.* ±1°	C300E12-BXP12	MX3.0MM HOUSING
.XXX ±0.15		DESIGN: Ethan	MANUFACTURE DWG
UNITS	mm	CHED: Olvia	
MATERILA	---	APPD: Ava	
FINISH	---		SCALE N:A SHEET 1/1