

REV. (版本号)	DESCRIPTION (变更说明)	DATE (日期)	APPD (核准)
A0	新订图面	2022.07.07	Yuxiang
A1	更新贴板尺寸	2025.08.14	Pengjingjing

MATERIALS

- HOUSING : LCP (UL 94V-0), BLACK.
- TERMINAL : COPPER ALLOY,
GOLD PLATED ON CONTACT AREA.
GOLD FLASH PLATING ON SOLDER TAIL.
NICKEL UNDERPLATED OVER ALL.
- MID PLATE : STAINLESS STEEL.
- SHELL : STAINLESS STEEL,NICKEL PLATING.

SPECIFICATION

- CURRENT RATING : 5.0A FOR Vbus PIN,
1.25A FOR Vconn PIN,
0.25A FOR OTHER PINS.
- CONTACT RESISTANCE : 40mΩ.
- INSULATION RESISTANCE : 100MΩ MIN.
- DIELECTRIC WITHSTANDING VOLTAGE : 100 VAC MIN.
- OPERATING TEMPERATURE : -40°C TO +85°C.
- MATING FORCE : 5~20N.
- UNMATING FORCE : 8~20N.
- DURABILITY : 10,000 CYCLES.
- RECOMMENDED PROCESS :
THE PEAK TEMPERATURE ON THE BOARD SHALL
MAINTAIN 260°C.

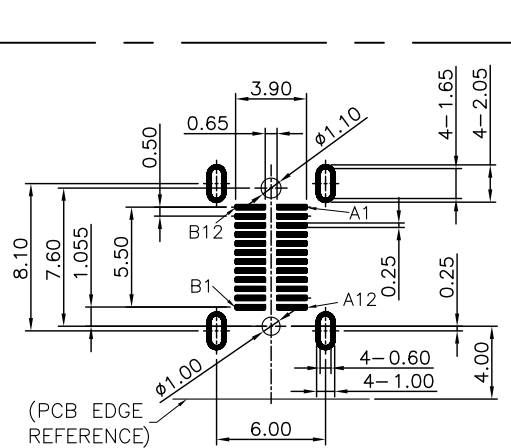
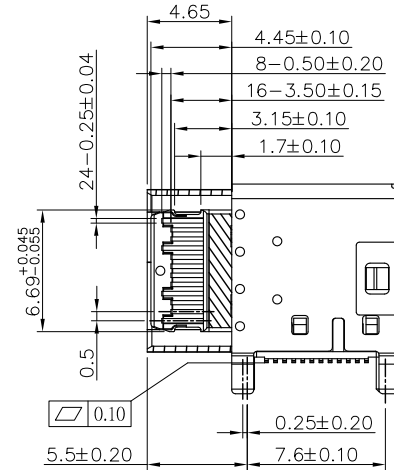
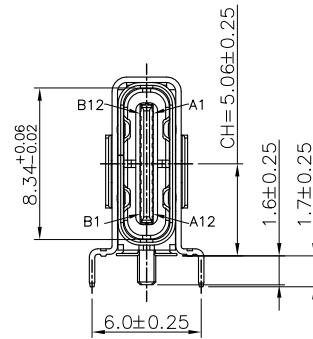
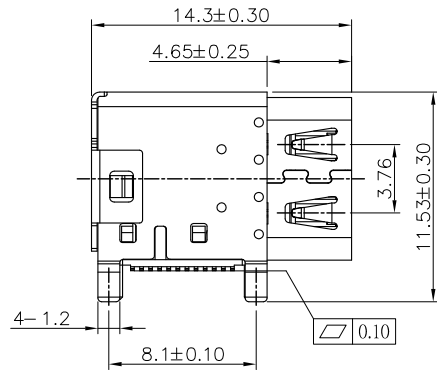
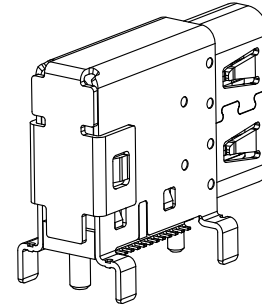
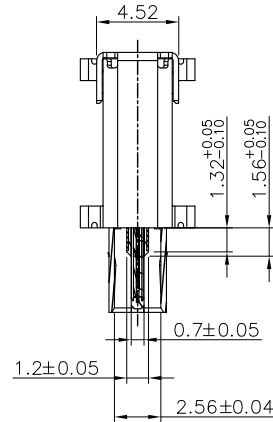
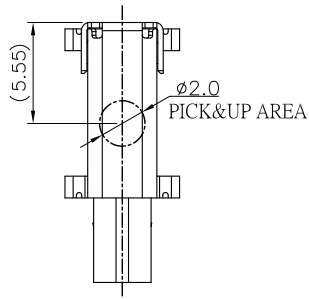
PIN ASSIGNMENT:

PIN	Signal Name	PIN	Signal Name
A1	GND	B12	GND
A2	SSTXp1	B11	SSRXp1
A3	SSTXn1	B10	SSRXn1
A4	Vbus	B9	Vbus
A5	CC1	B8	SBU2
A6	Dp1	B7	DN2
A7	Dn1	B6	DP2
A8	SBU1	B5	CC2
A9	Vbus	B4	Vbus
A10	SSRXn2	B3	SSTXn2
A11	SSRXp2	B2	SSTXp2
A12	GND	B1	GND

TABLE:

NO	PART	Q'TY	Material
1	SHELL	1	STAINLESS STEEL,NI PLATED
2	CONTACT	24	COPPER ALLOY,TIN/Au3u/NI50u/min PLATED
3	MID PLATE	1	STAINLESS STEEL,NO PLATING
4	EMI	1	STAINLESS STEEL,NI PLATED
5	HOUSING	1	HIGH TEMPERATURE RESISTANT PLASTIC BLACK UL94 V-0

 深圳市宇文发电子科技有限公司 Shen Zhen Yu Wen Fa Electronics Technology Co.,Ltd TEL:0755-27711235 FAX:0755-27712683		页码 (SHEET)	1/1	单位(UNIT): MM
		版本 (REV)	A1	比例(SCALE) 1:1
		日期 (DATE)	2022.07.07	
品名 (ITEM NO)	TYPE C侧插24PIN母座过高频款	设计 (DESIGN)	Yuxiang	未注公差 TOLERANCE UNSPECIFIED
料号 (PART NO)	PTCFW-H22E-002	审核 (CHECKED)		X.X ±0.30
图号 (DWG NO)		核准 (APPROVED)		X.XX ±0.20
				X.XXX ±0.10
				X° ±5°
				X.X° ±2°

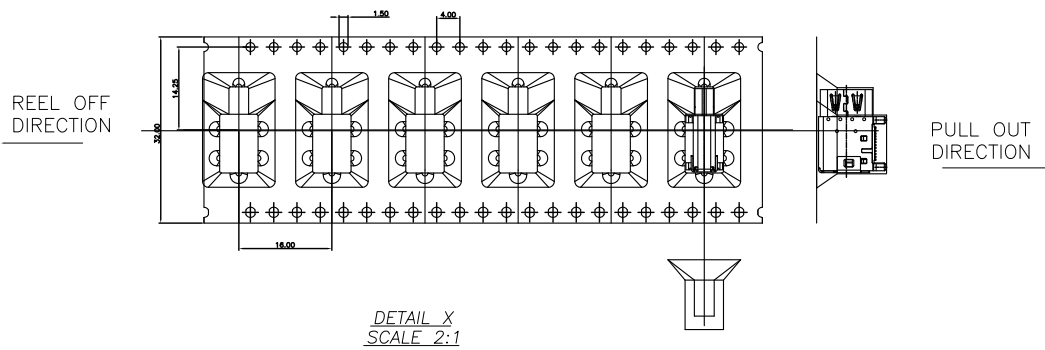
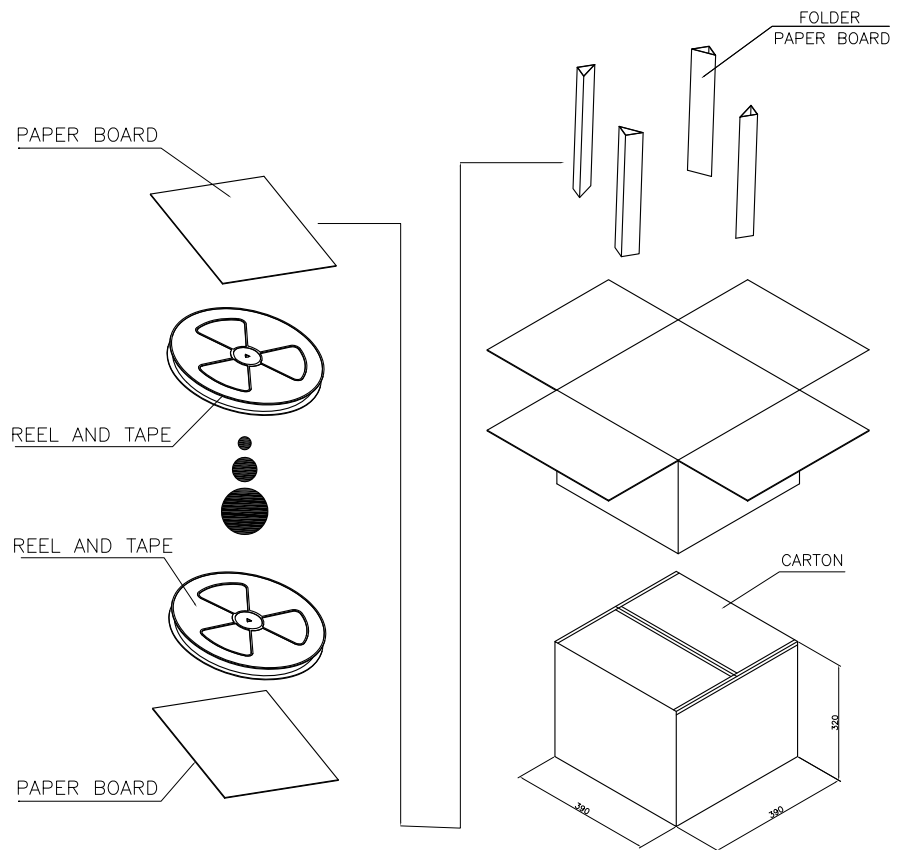
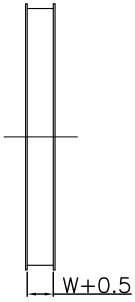
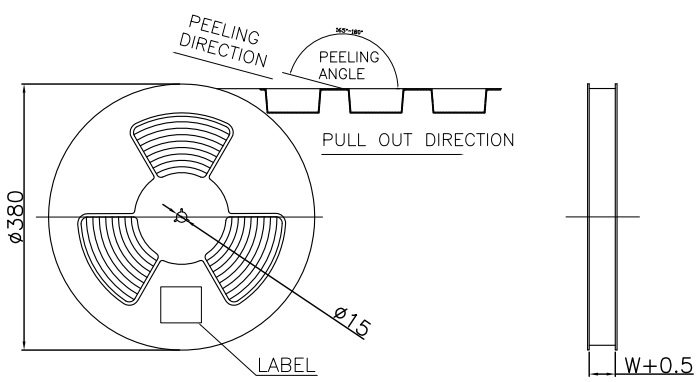
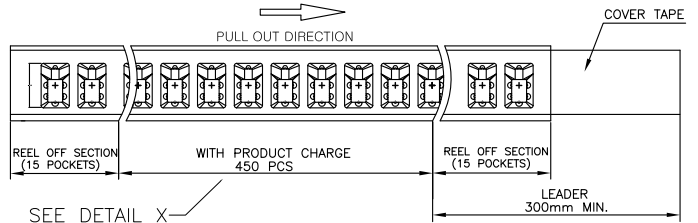


RECOMMENDED P.C.B LAYOUT
TOLERANCE ± 0.05mm (TOP VIEW)



RoHS Compliant

REV.	ECN NO	DESCRIPTION	REVISER	DATE
A/1				
A/2				



	REEL	CARTON
CONNECTOR (PCS)	450	3600

图号 (DWG NO)	单位 (UNIT): MM	深圳市宇文发电子科技有限公司 Shen Zhen Yu Wen Fa Electronics Technology Co.,Ltd TEL:0755-27711235 FAX:0755-27712683	
日期 (DATE)	比例 (SCALE) 1:1		
版次 (REV): A/1	页/次(PAGE): 1/1		
设计 (DESIGN)	YUXIANG	包装规范	
审核 (CHECKED)			
核准 (APPROVED)			
		品名 (ITEM NO)	TYPE C 24PIN侧插母座 包装图
		料号 (PART NO)	A-004R-128