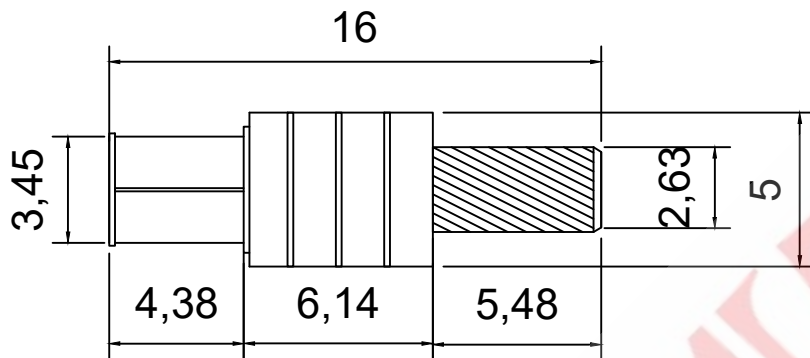


1 SAMZO 2 REAC/ROHS

6	7	8
REV	ECN NO	DESCRIPTION
A1	NEW	Replace frame
		DESIGN
		APPROVAL
		DATE
		2018.06.12



Technical parameters  
 →Impedance:50 Ohms  
 →Frequency Range:DC~3G  
 →VSWR:1.3MAX  
 →Working Voltage:500V rms @ sea level  
 →Insulation Resistance:5000 Ohms min Temperature Range:-65 TO +165  
 →Relative Temperature:≤95%(40°C±2°C)  
 →Drawings products are in line with ROHS standards

MCX J 160 L0 0

Surface treatment镀层:镀金  
 Way方式:L-正接  
 Length体长:16.0mm  
 Product number编号:J-1.5  
 Product series系列:MCX同轴射频天线座

Ø3,85

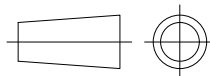
9

8,4

套管插件配件

ITEM	DESCRIPTION	MATERIAL	QTY	FINISH/COLOR					
C	插孔	HPB59-1	1					GENERAL TOLERANCE	
B	绝缘体	聚四氟乙烯	1					≥0~2<	±0.15
A	主体	黄铜	1	镀金	DESIGN	WANGGUIFA	2018.06.12	≥2~5<	±0.25
					CHECKED	ZHENGUILAN	2018.06.12	≥0~2<	±0.15
					APPROVED	LILIANJIANG	2018.06.14	≥5	±0.35

FIRST VIEW



The copyright belongs to samzo parts [China] Co., Ltd. please use the material after samzo parts agree to authorize. The final right of interpretation belongs to samzo parts. WWW.KKK-JP.COM

TITLE::

MCX-J-1.5整体 L=16MM

DWG NO: MCXJ160-P00190

PART NO: MCXJ160-230317

MODEL NO: MCX-J-160-L0-0

NAME: MCX COAXIAL RF CONNECTOR

SAMZO COMPONENTS  
 Electronic switch and connector manufacturer