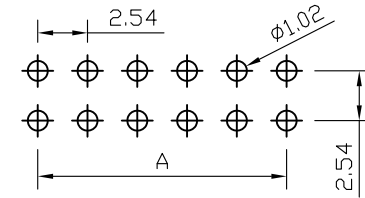
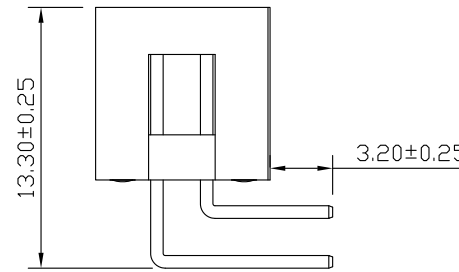
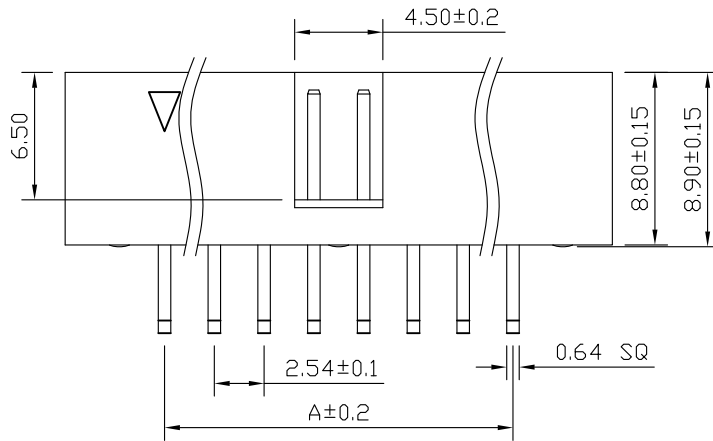
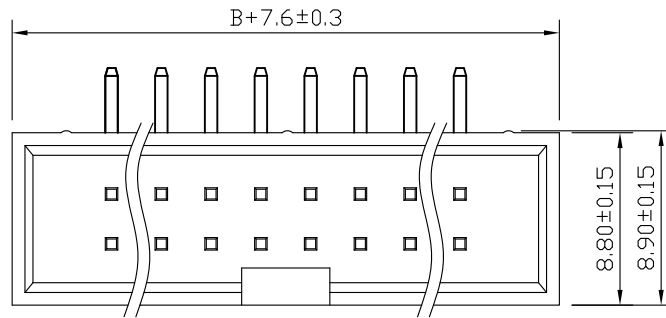


## SPECIFICATIONS

Current Rating: 3Amps  
 Insulation Resistance: 1000MΩ Min  
 Contact Resistance: 20mΩ Max  
 Withstanding Voltage: AC 1000V  
 Operation Temperature: -40° to +105°  
 Contact Material: Brass  
 Insulator Material: Polyester (UL 94V-0)  
 Contact plating: Gold Flash  
 Standard: PA6T  
 Max. Processing Temp: 240° C for 30-60 seconds  
 (260° C for 10 seconds)



RECOMMEND P. C. B LAYOUT  
 PCB TOLERANCE:  $\pm 0.05$  (TOP VIEW)


**韩下** 深圳市韩下电子有限公司

No. of	DIM. A	DIM. B	No. of	DIM. A	DIM. B	No. of	DIM. A	DIM. B
6	5.08	7.62	20	22.86	25.40	36	43.18	45.72
8	7.62	10.16	24	27.94	30.48	40	48.26	50.80
10	10.16	12.70	26	30.48	33.02	44	53.34	55.88
12	12.70	15.24	28	33.02	35.56	50	60.96	63.50
14	15.24	17.78	30	35.56	38.10	60	73.66	76.20
16	17.78	20.32	32	38.10	40.64	64	78.74	81.28
18	20.32	22.86	34	40.64	43.18			

UNLESS OTHERWISE SPECIFIED TOLERANCE

X :  $\pm 0.30$  X° :  $\pm 5^\circ$   
 X.X :  $\pm 0.25$  X.X° :  $\pm 1^\circ$   
 X.XX :  $\pm 0.20$  X.XX° :  $\pm 0.5^\circ$

DRAWN NAME:

HX JN2.54-2x10P WZ H8.9

SIZE	A4	SCALE	N:1	PROUCT NO.
REV	A	UNIT	mm	PROJECT



PAGE 1/1

DRAWN : 黄彬 2020.6.24      CHECKED : 张伟 2020.6.24      APPROVED : 罗小春 2020.6.24