

35-314-131-S-900 ✓ ACTIVE

KISSLING | KISSLING Series 35

TE Internal #: K1128085

KISSLING Series 35, Rotary Switches, 1 Position, Lever Actuator Style, 1 Decks, Rotary Switch Style, Rotary Rotary Switch Type, 1 Switch

[View on TE.com >](#)



Relays, Contactors & Switches > Switches > Rotary Switches



Number of Rotary Switch Positions: 1

Actuator Style: **Lever**

Number of Decks: 1

Switch Style: **Rotary**

Rotary Switch Type: **Rotary**

Features

Product Type Features

Actuator Style	Lever
Switch Style	Rotary
Rotary Switch Type	Rotary
Sealed Rotary Switch	Yes
Code Type	Single Pole
Angle of Throw	90

Configuration Features

Number of Rotary Switch Positions	1
Number of Decks	1
Number of Switches	1

Electrical Characteristics

Rotary Switch Voltage Rating	20 VAC
------------------------------	--------

Contact Features

Rotary Switch Contact Current Rating	300 A
Contact Base Material	Silver Clad Copper

Mechanical Attachment

Rotary Switch Mounting Type	Surface Mount
-----------------------------	---------------

Rotary Switch Mounting Angle

Straight

Housing Features

Rotary Switch Housing Material

Thermoplastic

Product Compliance

[For compliance documentation, visit the product page on TE.com>](#)

EU RoHS Directive 2011/65/EU

Not Yet Reviewed

EU ELV Directive 2000/53/EC

Not Yet Reviewed

China RoHS 2 Directive MIIT Order No 32, 2016

Not reviewed for China RoHS compliance

EU REACH Regulation (EC) No. 1907/2006

Current ECHA Candidate List: JAN 2021
(211)
Not Yet Reviewed

Halogen Content

Not Yet Reviewed for halogen content

Solder Process Capability

Not reviewed for solder process capability

Product Compliance Disclaimer

This information is provided based on reasonable inquiry of our suppliers and represents our current actual knowledge based on the information they provided. This information is subject to change. The part numbers that TE has identified as EU RoHS compliant have a maximum concentration of 0.1% by weight in homogenous materials for lead, hexavalent chromium, mercury, PBB, PBDE, DBP, BBP, DEHP, DIBP, and 0.01% for cadmium, or qualify for an exemption to these limits as defined in the Annexes of Directive 2011/65/EU (RoHS2). Finished electrical and electronic equipment products will be CE marked as required by Directive 2011/65/EU. Components may not be CE marked. Additionally, the part numbers that TE has identified as EU ELV compliant have a maximum concentration of 0.1% by weight in homogenous materials for lead, hexavalent chromium, and mercury, and 0.01% for cadmium, or qualify for an exemption to these limits as defined in the Annexes of Directive 2000/53/EC (ELV). Regarding the REACH Regulations, TE's information on SVHC in articles for this part number is still based on the European Chemical Agency (ECHA) 'Guidance on requirements for substances in articles' (Version: 2, April 2011), applying the 0.1% weight on weight concentration threshold at the finished product level. TE is aware of the European Court of Justice ruling of September 10th, 2015 also known as O5A (Once An Article Always An Article) stating that, in case of 'complex object', the threshold for a SVHC must be applied to both the product as a whole and simultaneously to each of the articles forming part of its composition. TE has evaluated this ruling based on the new ECHA "Guidance on requirements for substances in articles" (June 2017, version 4.0) and will be updating its statements accordingly.

Compatible Parts



TE Part # K1128729
Battery Disconnecter 35-314-131-S-901



TE Part # K1156868
Battery Disconnecter 35-314-131-R-900

Also in the Series | **KISSLING Series 35**



Rotary Switches(62)

Customers Also Bought



TE Part #T4061110004-001
M8 MALE STRAIGHT SINGLE ENDED
CABLE ASSY



TE Part #2176350-6
CRGCQ 2512 6R8 5%



TE Part #2176345-3
CRGCQ 1210 15R 1%



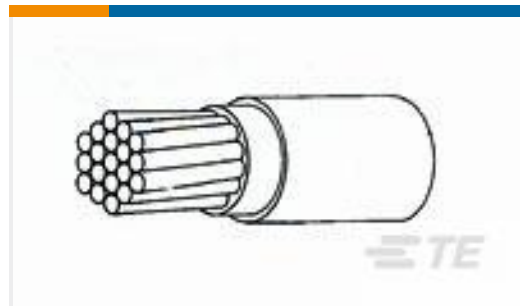
TE Part #444334-3
FASTON 250 REC 0.3-0.8 MM2 0.40
X18.54 BR



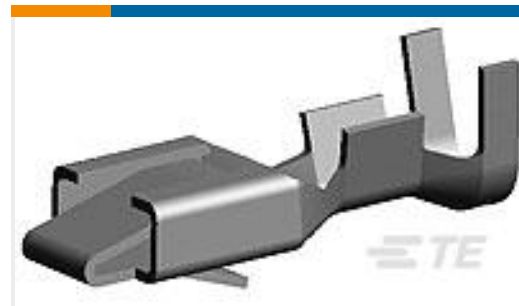
TE Part #1587902-9
Plug Pig Tail Assy, HV, HVA280 2P



TE Part #4-1879619-9
H8 1K0 1% 25PPM



TE Part #282094-009
44A0211-20-9



TE Part #640841-1
BLADE REC 250 20-16AWG BR



TE Part #444335-3
FASTON 250 REC 1-5 MM2 0.40 X
18.54 BR



TE Part #5500032008
SCL-1/4-9-STK

Documents

Product Drawings

[Battery Disconnecter 35-314-131-S-900](#)

English

Datasheets & Catalog Pages

[KISSLING BATTERY DISCONNECTOR Series 35 / 400A](#)

English