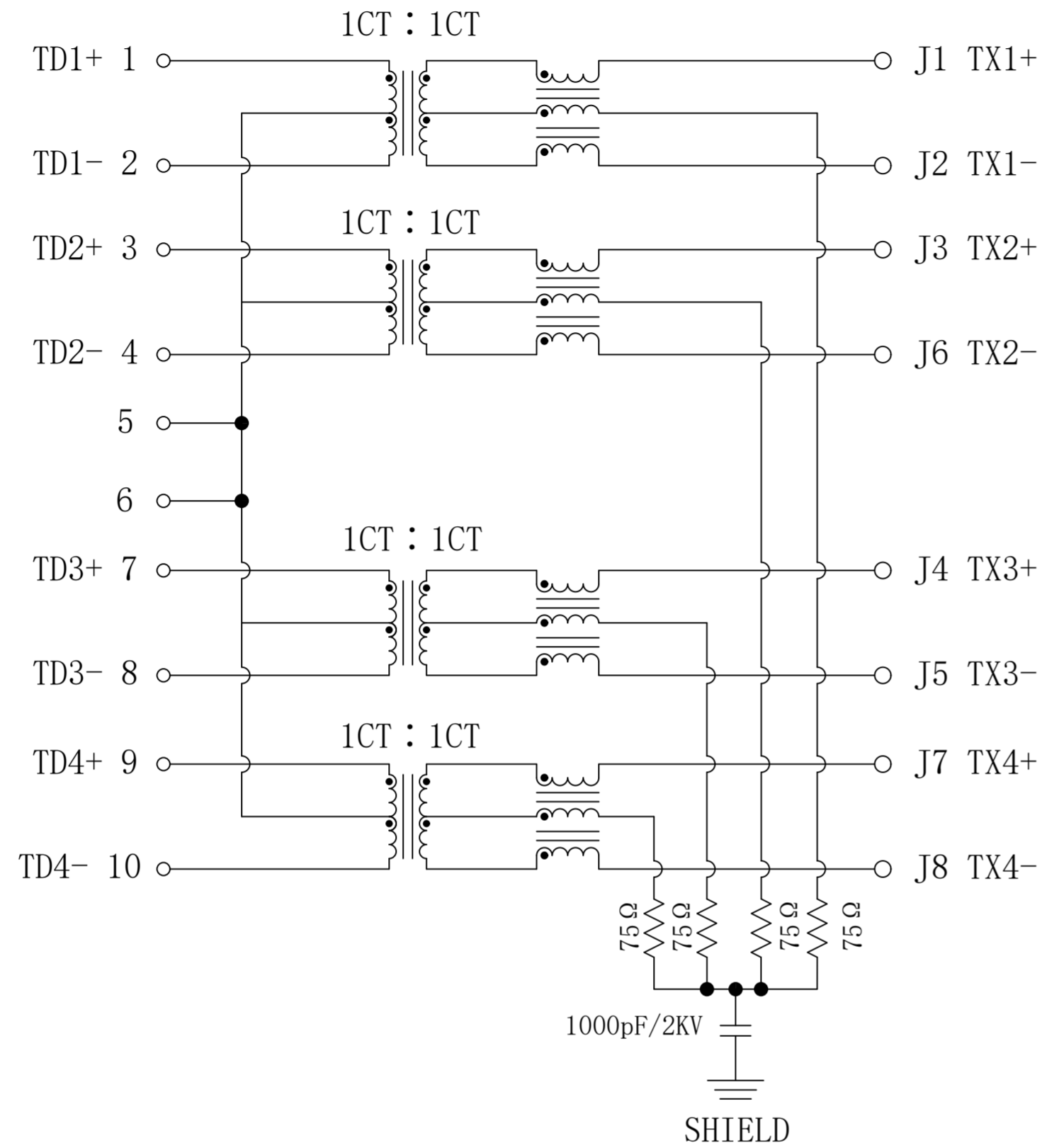


# Schematic:

REV.	ECN NO.	DESCRIPTION	DATE	APPD
A	REL		2012/12/18	

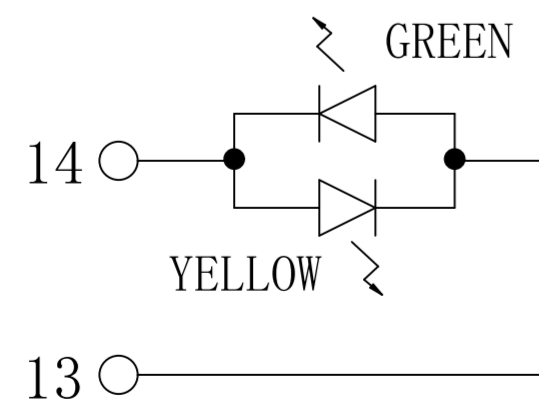
PC BOARD CONNECTIONS



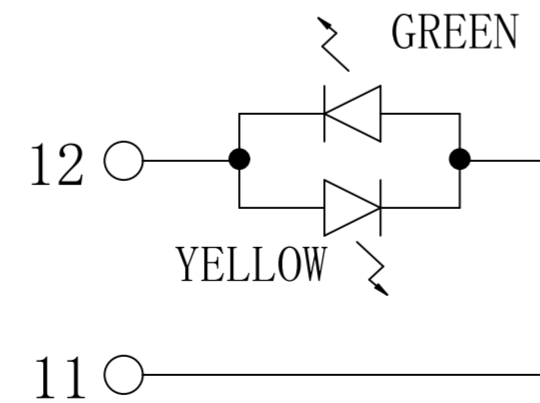
RJ45 CONNECTOR

## Electrical Specifications @25°C

- Turns Ratio:  
Pri:Sec= 1CT:1CT ±3%
- OCL (@100KHz, 0.1Vrms, 8mA DC) :  
350uH Min.
- Insertion Loss:  
1~100MHz:-1.0dB Max
- Return Loss(dB Min @100Ω) :  
1~30MHz:-18      30~60MHz:-14  
60~80MHz:-12      80~100MHz:-10
- Crosstalk:  
1~100MHz:-30dB Min
- Common Mode Rejection:  
1~100MHz:-30dB Min
- Isolation PHY SIDE To Line SIDE : 1500Vrms
- Operating Temperature: -40°C ~+85°C.



Left LED



Right LED

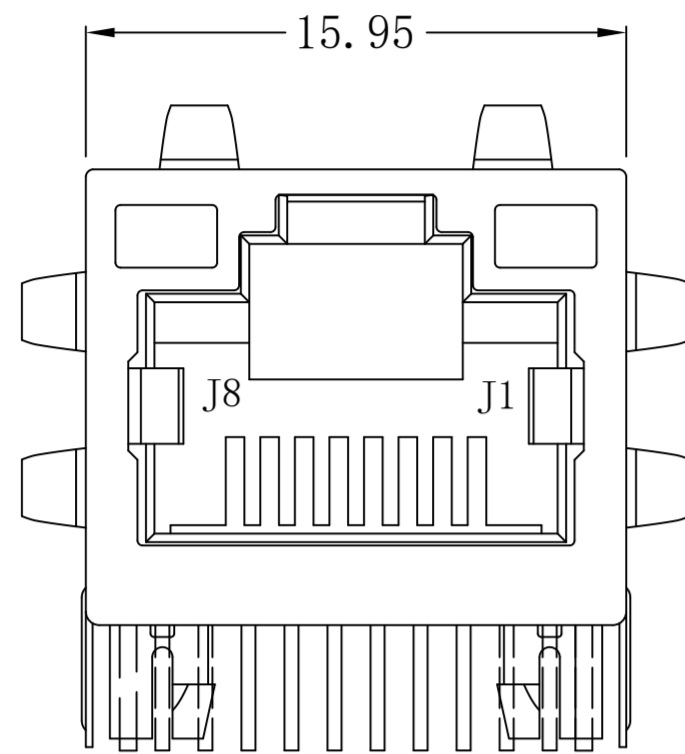


Emitting Color	λp(nm)	Vf@If=20mA	IR @VR=5V
GREEN	565	1.8~2.6V	10 μA max
YELLOW	585	1.8~2.6V	10 μA max

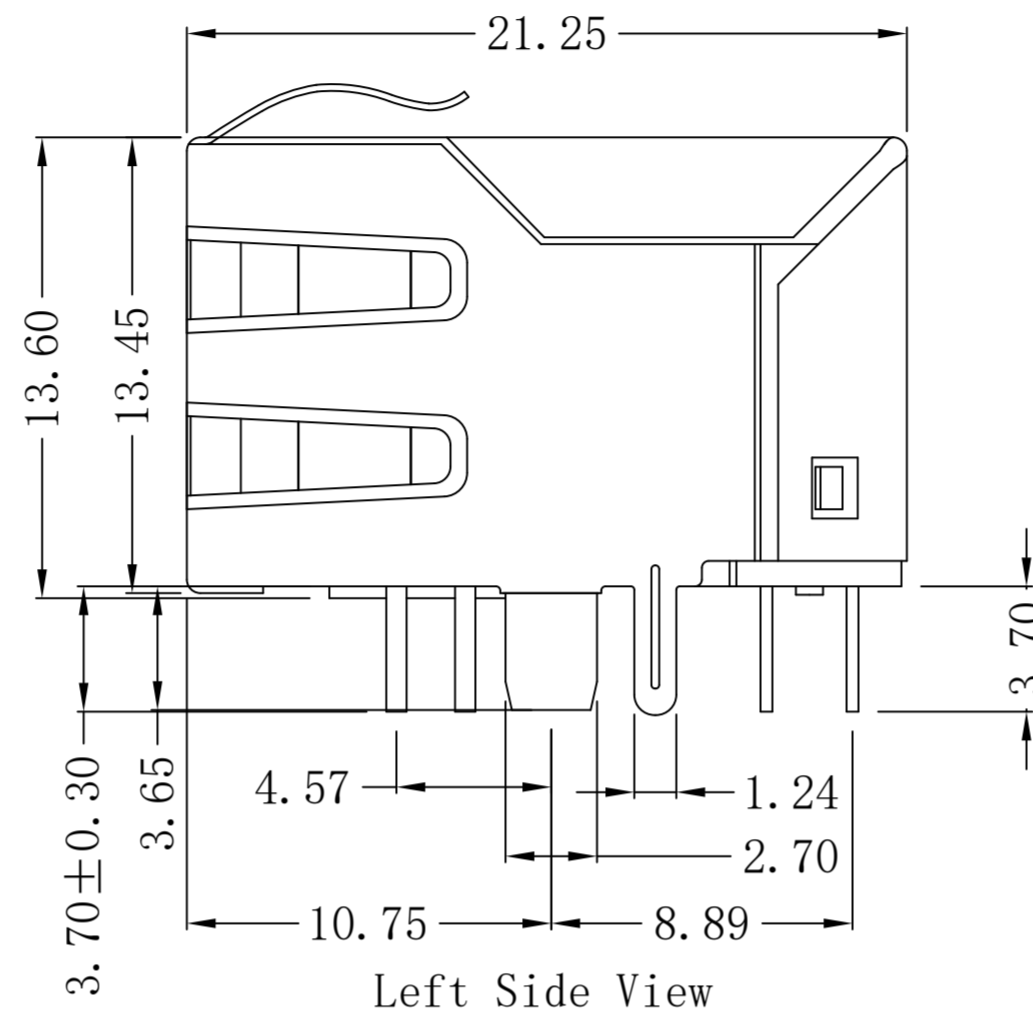
X:X ±0.30	APPD: TOM	LINK-PP INT'L TECHNOLOGY CO., LIMITED		
X:XX ±0.25	CHKD: JAMES			
X:XXX ±0.05	DR: LEO	TITLE: Through Hole Tab-Up RJ45 Jack With 1000 Base-T Magnetic		
ANGLES ±1°	UNIT: mm	PART NO.: LPJG16746A4NL		
	SCALE: 2/1	SHEET: 1/3	REV: A	DWG NO.: LP12121813

# Mechanical :

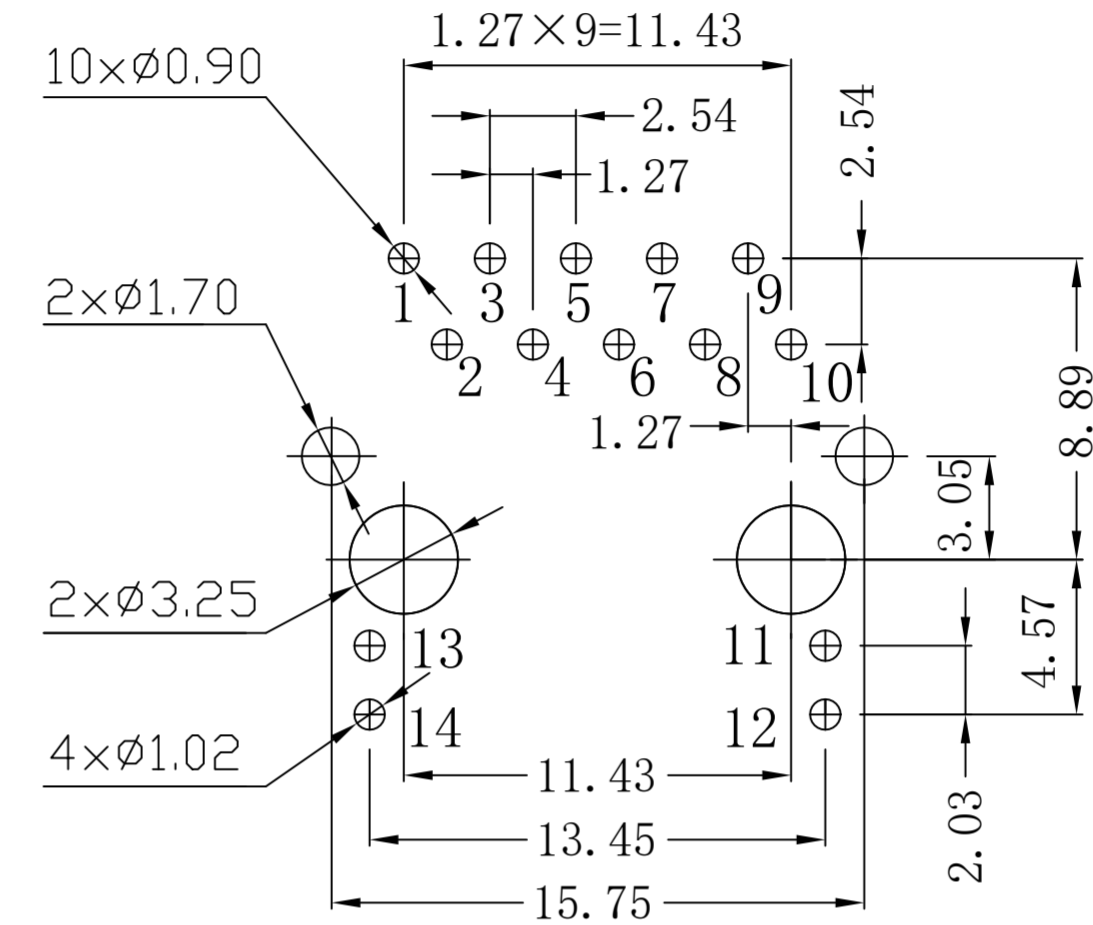
REV.	ECN NO.	DESCRIPTION	DATE	APPD
A	REL		2012/12/18	



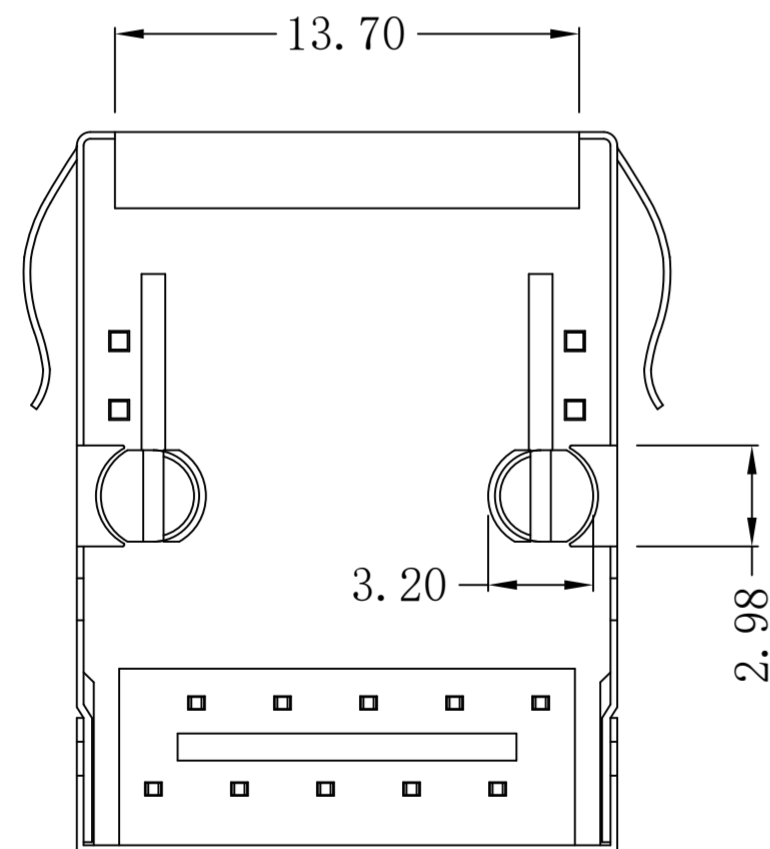
Front Side View



Left Side View



Suggested PCB Layout (Top View)



Bottom Side View



Top Side View



### NOTES:

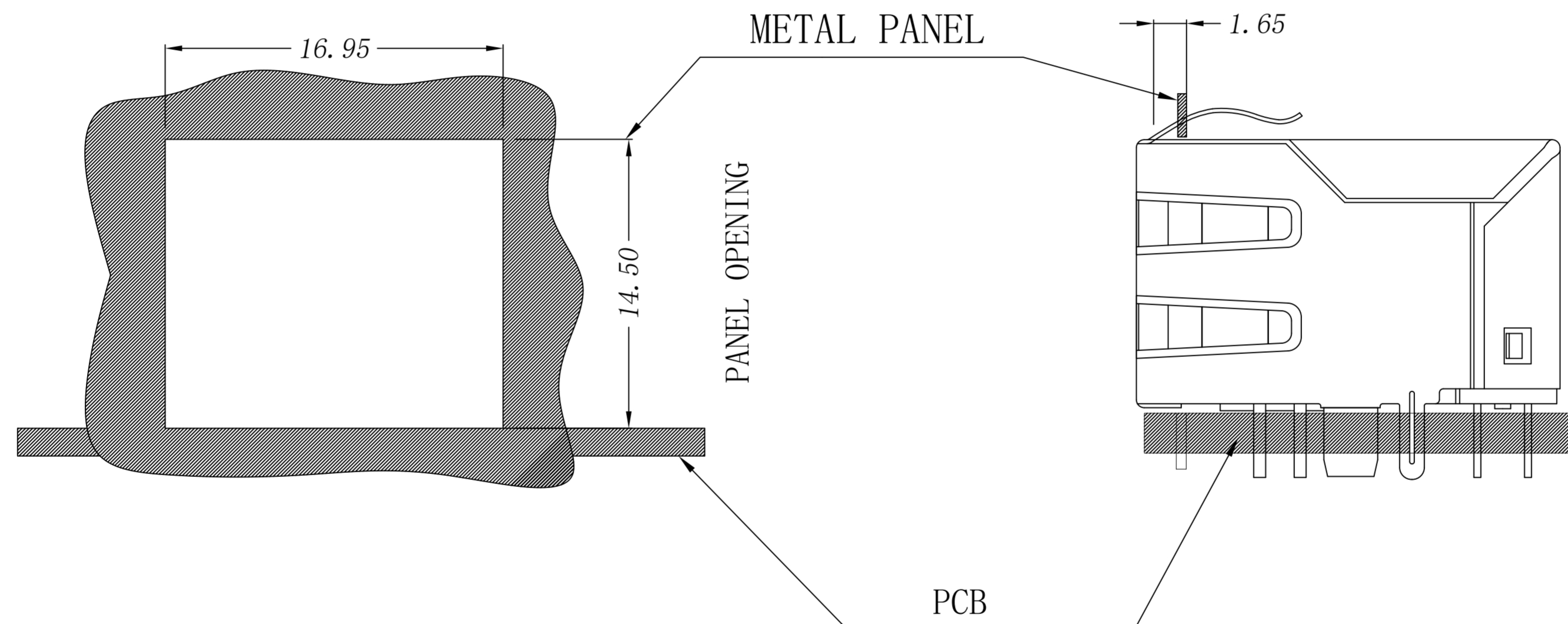
1. Designed to support application, such as SOHO (ADSL modems), LAN-on-Motherboard (LOM), hub and Switches.
2. Meets IEEE802.3 specification
3. Connector Materials:  
 Housing: Thermoplastic PBT+30%G.F UL94V-0  
 Contact: Phosphor Bronze C5210R-EH Thickness=0.35mm  
 Pins: Brass C2680R-H Thickness=0.35mm  
 Shield: SUS 304-1/2H Thickness=0.2mm  
 Contact plating: Gold 6 micro-inches min. In contact area.
4. Wave solder tip temperature: 250°C, 5 Sec.
5. UL Certification: File Number E484635.

X:X	±0.30	APPD:	TOM	LINK-PP INT'L TECHNOLOGY CO., LIMITED
X:XX	±0.25	CHKD:	JAMES	
X:XXX	±0.05	DR:	LEO	TITLE: Through Hole Tab-Up RJ45 Jack With 1000 Base-T Magnetic
ANGLES	±1°	UNIT:	mm	PART NO.: LPJG16746A4NL
	SCALE: 2/1	SHEET: 2/3	REV: A	DWG NO.: LP12121813

Mechanical:

REV.	ECN NO.	DESCRIPTION	DATE	APPD
A	REL		2012/12/18	

## Recommended panel cutout



X:X	±0.30	APPD: TOM	LINK-PP INT'L TECHNOLOGY CO., LIMITED
X:XX	±0.25	CHKD: JAMES	
X:XXX	±0.05	DR: LEO	TITLE: Through Hole Tab-Up RJ45 Jack With 1000 Base-T Magnetic
ANGLES	±1°	UNIT: mm	PART NO.: LPJG16746A4NL
	SCALE: 2/1	SHEET: 3/3	REV: A
			DWG NO.: LP12121813