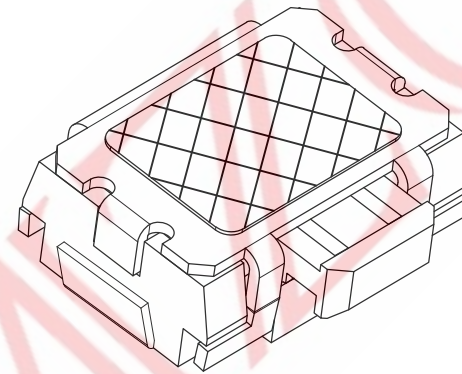
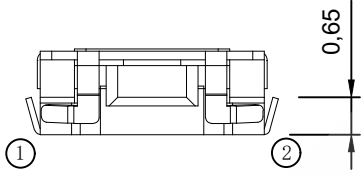
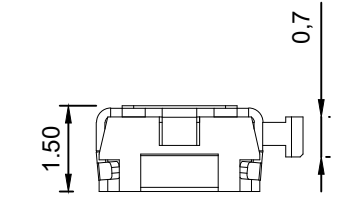
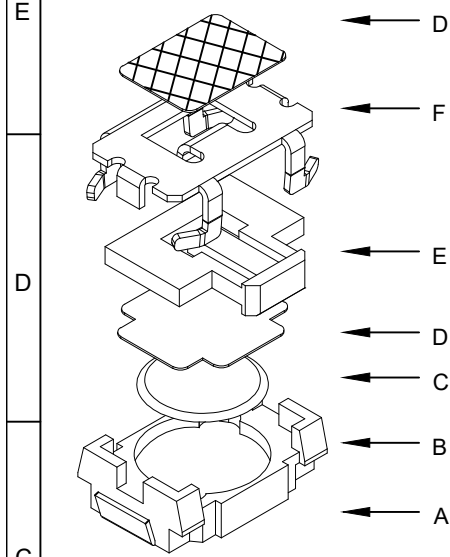


SAMZO REAC/ROHS

REV	ECN NO	DESCRIPTION	DESIGN	APPROVAL	DATE
A1	NEW	Replace frame			2018.06.12

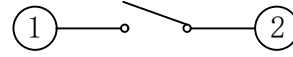
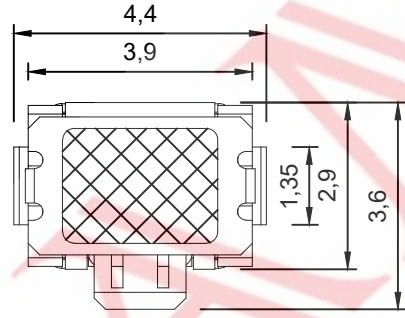
主要技术参数、性能
The Main Thchnology Performance

额定电流、电压 Rate voltage, current	50mA DC12V
接触电阻 Contact resistance	≤100mΩ
按力 Operating force	±100gf
行程 Travel	0.25±0.10mm
绝缘电阻 Insulated resistance	≥100MΩ
介电强度 Dielectric strength	≥250VAC/1min

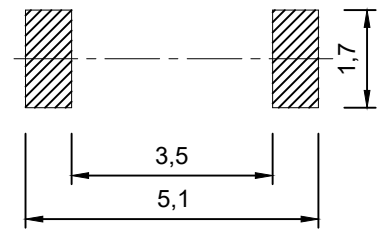


C 5 D 150 * 1 1 0
A B C D E F G H

- A. 系列:C-微型侧按
- B. 贴装方式:5-卧式贴片
- C. 引脚规格:D-2PIN
- D. 操作高度:150-1.50mm
- E. 操作力度:1-160/2-260gf
- F. 操作寿命:1-30,000/次
- G. 固定方式:1-无柱
- H. 物料编码:0-常规



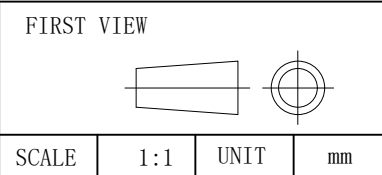
电路图
CIRCUIT DIAGRAM



PCB. 焊接图
PCB. WELDING DRAWING

F	盖板	不锈钢	1	清洗
E	按钮	PPA	1	黑色
D	防水层	聚酰亚胺	/	橙黄色
C	弹片	不锈钢	1	镀银
B	本体	LCP	1	黑色
A	卡件	磷铜	1	镀银
项目 ITEM	名称 DESCRIPTION	材质 MATERIAL	数量 QTY	表面处理/颜色 FINISH/COLOR

GENERAL TOLERANCE			
DESIGN	WANGGUIFA	2018.06.12	≥0~2< ±0.15
CHECKED	ZHENGUILAN	2018.06.12	≥2~5< ±0.25
APPROVED	LILIANJIANG	2018.06.14	≥5 ±0.35



The copyright belongs to samzo parts [China] Co., Ltd. please use the material after samzo parts agree to authorize. The final right of interpretation belongs to samzo parts. WWW.KKK-JP.COM

SAMZO COMPONENTS
Electronic switch and connector manufacturer

TITLE: 2.9*3.9*1.5 侧按两脚小龟
DWG NO: C5D150-P0601
PART NO: C5D1501606
MODEL NO: C5D150-* -110
NAME: TACT SWITCH