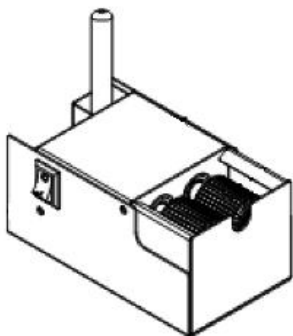




QUICK 310 Soldering Tip Cleaner

Instruction Manual



Thank you for purchasing our products. Please keep the instruction manual properly for future reference.

Contents

1. Safety Instructions.....	1
2. Overview.....	2
3. Product Characteristics.....	2
4. Product Specifications.....	2
5. Functional Descriptions.....	3
5.1. Dimensions.....	3
5.2. Part Descriptions.....	4
6. Connection.....	4
7. Cleaning and Maintenance.....	5

1.Safety Instructions



CAUTION

- During the installation and use of this product, all electrical safety regulations of the country and regions must be strictly observed.
- The power supply must be disconnected when disassembling the product. Do not operate with power on.
- If the product does not work properly, please contact the supplier or our company, and do not disassemble or change the product in any way. We are not responsible for any problems caused by unauthorized maintenance or modification.



WARNING

- Don't install the product in a place where the surface is easy to shake or be impacted, as it may damage the product.
- The product should be used away from places where there is magnetic interference.
- Don't use in flammable and explosive environments.
- Please do not insert your fingers into the cleaner.
- Do not modify the product.
- When the product is not in use, please turn off the power supply to prolong the service life.

2.Overview

This is a special cleaner for soldering tip, which uses the motor to drive the metal brush to clean the surface oxide of the soldering tip, so that the soldering tip can be restored to bright and meet the requirements of normal soldering.

3.Product Characteristics

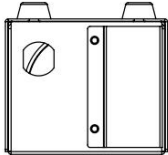
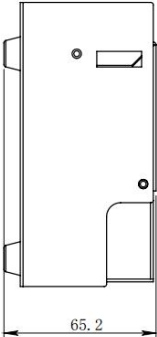
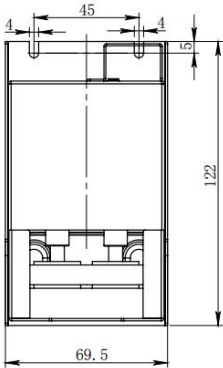
- Remove the oxides effectively without damaging the tip.
- Use with the flux paste can remove oxides and restore brightness to the tip.
- Split structure, easy to clean and maintain.

4.Product Specifications

Product model	310
Voltage	AC 110V/220V/230V
Power consumption	5W
Dimensions (L*W*H)	69.5*122*65.2mm
Weight	About 0.8kg

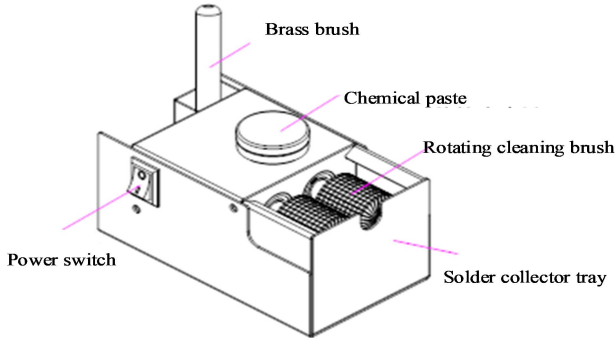
5.Functional Descriptions

5. 1. Dimensions



Unit: mm

5. 2. Part Descriptions



6.Connection

- 1) Turn on the power switch, and the rotating cleaning brush starts to rotate.
- 2) Place the blackened tip vertically between the two rotating cleaning brushes to remove the black oxide from the tip.
- 3) Use the soldering tip cleaner to remove the black oxide on the tip, and then immediately re-solder the tip with chemical paste to plate a new solder layer on the tip.
- 4) If the oxide is so hard to be removed by the tip cleaner, the attached brass brush can be used to remove the oxide. Then repeat steps 2 to 4.
- 5) The double-sided adhesive tape can be pasted on the bottom of the shell of the chemical paste, then paste the chemical paste on the shell of the tip cleaner, which is convenient for solder coating.

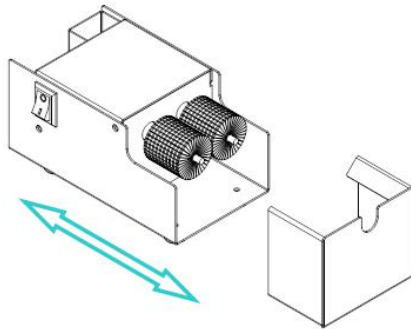
⚠Note:

- * When the soldering tip temperature is about 300 °C, it is easiest to clean.

- * When the temperature of the soldering tip exceeds 400 °C, even if the oxide is removed by the tip cleaner, the soldering tip is still easy to be oxidized and blackened again.
- * When the brass brush is used, sometimes a small scratch may be made on the coating surface of the soldering tip. Therefore, it is only considered when the cleaner cannot remove the oxide.
- * When placing the brass brush in the tip cleaner, do not place the brush of the brass brush upward to avoid injury.

7.Cleaning and Maintenance

When cleaning the solder slag, pull out the solder collector tray from the tip cleaner, and then place the solder collector tray in the unit again after cleaning the solder slag.



Warranty Card

●The warranty period of this product is calculated from the date of Purchase. During the warranty period, if the product breaks down during normal use, ow the original warranty card and enjoy Free service in the authorized repair company(or our company). Please keep the purchase certificate and this warranty card and show it before maintenance.

●During the warranty period, the following repairs need to be paid:
a.Unable to offer valid warranty card or certificate;
b.The purchase date, sales company and other items are not completely filled or the warranty card is altered;
c.Damage caused by failure to follow the use methods and precautions in the manual;
d.Damage caused by disassembly, repair and modification of products without authorization of the manufacturer;
e.Replacement of vulnerable and consumable parts.

●All items of the warranty card shall be completely filled in by the agent or user to obtain a 12-month warranty period.
●Please keep this warranty card properly It will not be re-offered after.

QUICK INTELLIGENT EQUIPMENT
CO., LTD.
ADD: NO.11, FengXiang Road, Wujin
High-Tech Industrial Development
Zone, Jiangsu, China
TEL: 86-519-86225678
FAX: 86-519-86558599
POSTCODE: 213167
WEBSITE: www.quick-global.com

Warranty Card

Type: _____

Model No.: _____

Serial No.: _____

Delivery Date: _____

Warranty File Card

Type: _____

Model No.: _____

Serial No.: _____

Delivery Date: _____

Address : _____

Postcode: _____

Telephone: _____

Contact Person: _____

QUICK INTELLIGENT EQUIPMENT CO., LTD.

ADD: NO.11, FengXiang Road, Wujin
High-Tech Industrial Development Zone,
Jiangsu, China

TEL: 86-519-86225678

FAX: 86-519-86558599

POSTCODE: 213167

WEBSITE: www.quick-global.com

