

REV.	DESCRIPTION	ECN NO.	NAME	DATE

Specifications:

- 1.0 Electrical performance:
  - 1.1 Contact resistance: 40mΩ max for initial. 10mΩ change after test. measure at 20mv, 100mA.
  - 1.2 Dielectric withstanding voltage: AC 100V(rms).
  - 1.3 Insulation resistance: 100MΩ min.
  - 1.4 Contact current rating: 3A
  - 1.5 Voltage: 20 Vac (rms).
- 2.0 mechanical performance:
  - 2.1 Mating force: 5~20N
  - 2.2 Unmating force: 8~20N Initial test, 6~20N After test
  - 2.3 Durability: 10,000 cycles.
- 3.0 Environmental performance:
  - 3.1 Temperature range:
  - 3.2 Operating temperature: -40°to+85°.
  - 3.3 Storage temperature: -20°to+60°.
- 4. With "▲" for the key control size

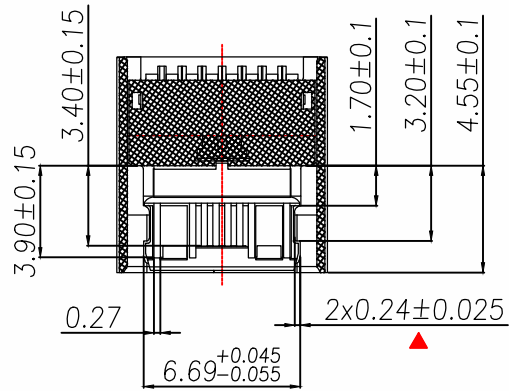
NO	PART	Q'TY	Material
1	SHELL	1	STAINLESS STEEL 304, 50U"MIN NICKEL PLATING
2	EMI Plate	1	STAINLESS STEEL 301, NI 30U" MIN PLATED (SEE THE PART NUMBER CODE:)
3	Mid Plate	1	STAINLESS STEEL 301, NO PLATED
4	CONTACT	16	COPPER STEEL C18400, Au (PART NUMBER CODE) plated on contact area Matte Tin plated 50u"min (Or GF) on solder area; Nickel 50u"min underplating over all.
5	HOUSING	1	LCP BLACK UL94 V-0

GENERAL TOLERANCE		DONGGUAN BAOXUN PRECISION TECHNOLOGY CO., LTD			
DIM.	TOL.	TITLE: USB Type-C Receptacle 16PIN DIP CH1.88			
.x	±0.30	DWG. NO.: UC23-0B16F00P11		CHECKED: MAX	
.xx	±0.20	PART NO.: UC23-0B16F00P11		DRAWN: ELLA	
.xxx	±0.10	UNIT: mm		SCALE: none	
GENERAL ANGLE:		SHEET: 1 of 1		DWG. SIZE: A4	
x.	±10°	LAYER: bxconn		APPROVED: WILL	
x.x	±8°				
x.xx	±5°				

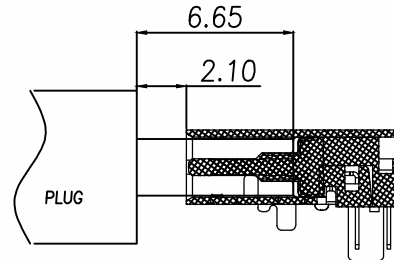
**BXCONN**<sup>®</sup>



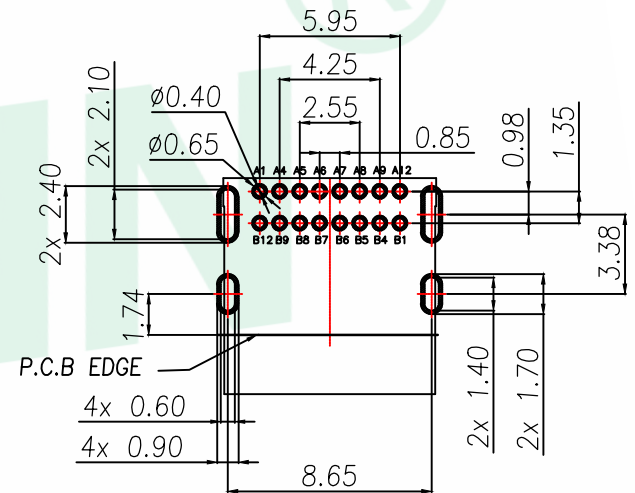
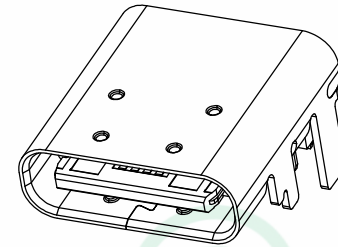
REV.	DESCRIPTION	ECN NO.	NAME	DATE



Section  
B-B



AFTER MATING



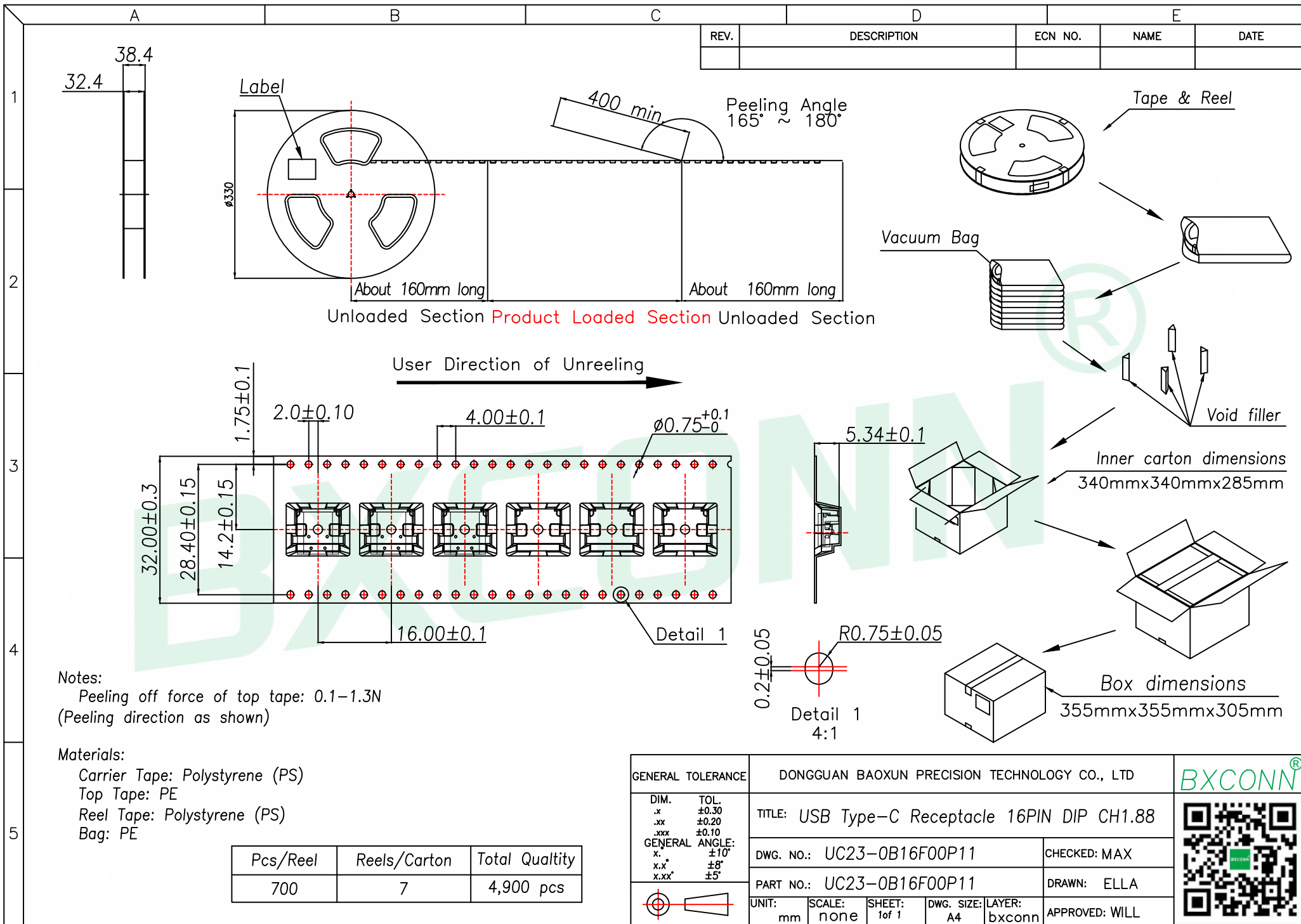
RECOMMENDED PCB LAYOUT(TOP)  
TOLERANCES:±0.05MM

USB TYPE-C PIN ASSIGNMENTS

Pin	Signal	Mating Sequence	Pin	Signal	Mating Sequence
A1	GND	First	B12	GND	First
A4	Vbus	First	B9	Vbus	First
A5	CC1	Second	B8	SBU2	Second
A6	Dp1	Second	B7	Dn2	Second
A7	Dn1	Second	B6	Dp2	Second
A8	SBU1	Second	B5	CC2	Second
A9	Vbus	First	B4	Vbus	First
A12	GND	First	B1	GND	First
SHELL	GND		SHELL	GND	

GENERAL TOLERANCE	DONGGUAN BAOXUN PRECISION TECHNOLOGY CO., LTD			
DIM. .x ±0.30 .xx ±0.20 .xxx ±0.10	TITLE: USB Type-C Receptacle 16PIN DIP CH1.88			
GENERAL ANGLE: x. ±10° x.x ±8° x.xx ±5°	DWG. NO.: UC23-0B16F00P11		CHECKED: MAX	
	PART NO.: UC23-0B16F00P11		DRAWN: ELLA	
	UNIT: mm	SCALE: none	SHEET: 1 of 1	DWG. SIZE: A4
			LAYER: bxconn	APPROVED: WILL





REV.	DESCRIPTION	ECN NO.	NAME	DATE

Notes:  
 Peeling off force of top tape: 0.1-1.3N  
 (Peeling direction as shown)

Materials:  
 Carrier Tape: Polystyrene (PS)  
 Top Tape: PE  
 Reel Tape: Polystyrene (PS)  
 Bag: PE

Pcs/Reel	Reels/Carton	Total Quality
700	7	4,900 pcs

GENERAL TOLERANCE		DONGGUAN BAOXUN PRECISION TECHNOLOGY CO., LTD			
DIM.	TOL.	TITLE: USB Type-C Receptacle 16PIN DIP CH1.88			
.x	±0.30	DWG. NO.: UC23-0B16F00P11		CHECKED: MAX	
.xx	±0.20	PART NO.: UC23-0B16F00P11		DRAWN: ELLA	
.xxx	±0.10	UNIT: mm		APPROVED: WILL	
GENERAL ANGLE:		SCALE: none	SHEET: 1 of 1	DWG. SIZE: A4	LAYER: bxconn
x.	±10°				
x.x'	±8°				
x.xx'	±5°				

**BXCONN**<sup>®</sup>