

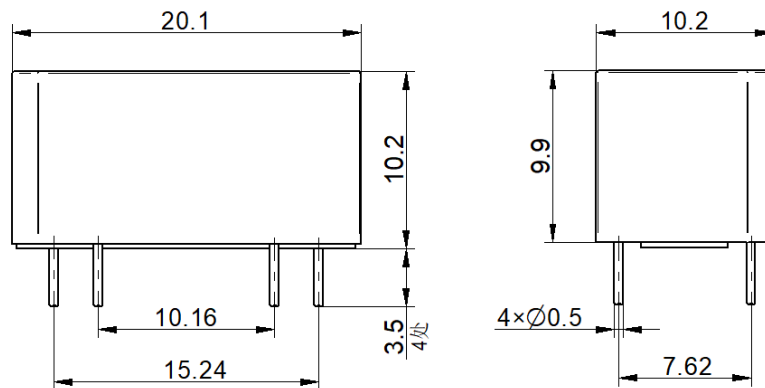
DIL-1A05H

- High Voltage Reed Relay
- Low Contact Resistance
- Hermetically sealed for long life
- Custom Design Available

[Outline Dimension]

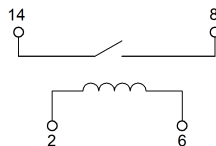
Unit: mm

Scale: 1/1



[Pin Layout]

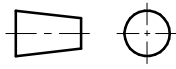
[Wiring diagram]



Order Information

DIL-1A05H

Coil Parameters		Relay Parameters	
1 Nominal coil voltage	5 VDC	1 Min Breakdown Voltage	450 VDC
2 Max Operating voltage	15 VDC	2 Dielectric Strength coil/contact	4K VDC
3 Max Pull-in voltage	3.75 VDC	3 Insulation Resistance coil/contact	1.00E+10ohm
4 Min Drop-out voltage	0.6 VDC	4 Operate Time, incl. Bounce	0.6ms
5 Coil Resistance	500 ohm	5 Reset Time	0.2ms
Contact Parameters		6 Capacitance Across Contacts	0.2pF
1 Contact Form	1 Form A	7 Storage Temperature	-40~+105°C
2 Max Contact Rating	10 W	8 Operating Temperature	-20~+85°C
3 Max Switch Voltage	265 Vac/300 Vdc	9 Soldering Temperature	5 sec. max 260°C
4 Max Switch Current	0.3 Aac/0.5 Adc		
5 Max Carrying Current	1.2 Adc		
6 Min Breakdown Voltage	450 VDC		
7 Max Contact Resistance	150 mohm		

Version: 01	Designed by		TITLE High Voltage Reed Relay	
	Checked by			
	Approved by		P/N	Scale: 1:1
	Date	11th, Jul, 2024	DIL-1A05H	Page: 1/1