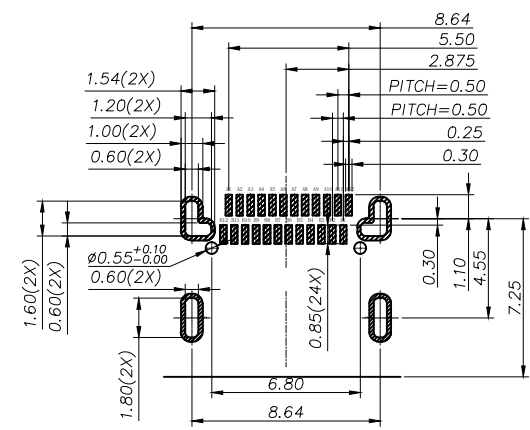
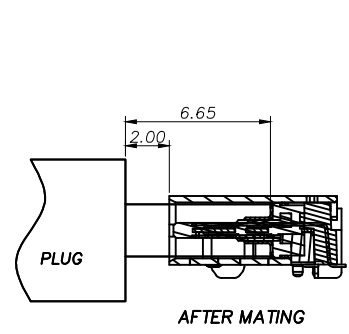
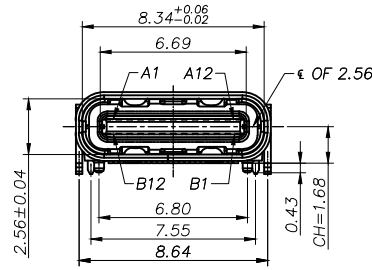
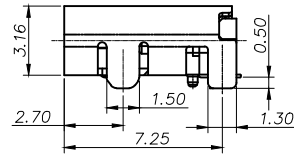
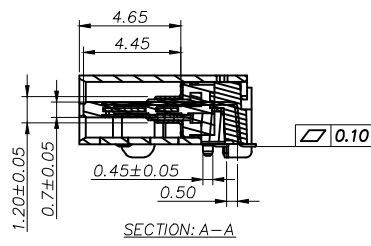
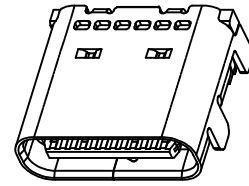
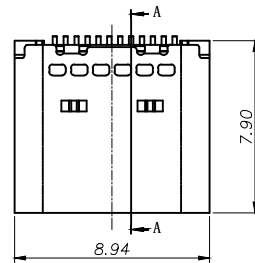
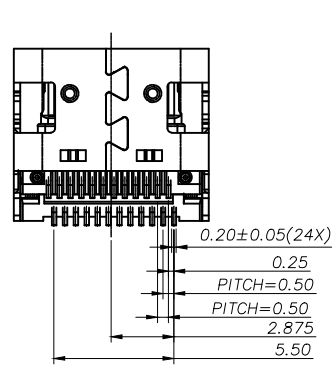


7	8	9
标记 MARK	PCN编号/变更内容 ECN NO/DEFINITION	修改 REVISE
		日期 DATE
		核准 APPROVE

PIN NUMBER	SIGNAL NAME	PIN NUMBER	SIGNAL NAME
A1	GND	B12	GND
A2	SSTXp1	B11	SSRXp1
A3	SSTXn1	B10	SSRXn1
A4	VBUS	B9	VBUS
A5	CC1	B8	SBU2
A6	Dp1	B7	Dn2
A7	Dn1	B6	Dp2
A8	SBU1	B5	CC2
A9	VBUS	B4	VBUS
A10	SSRXn2	B3	SSTXn2
A11	SSRXp2	B2	SSTXp2
A12	GND	B1	GND



RECOMMENDED PCB LAYOUT (TOP VIEW)
THICKNESS 0.60MM; DEFAULT TOLERANCE: ±0.05

MATERIALS

- HOUSING : LCP, BLACK.
- TERMINAL : COPPER ALLOY, GOLD PLATED ON CONTACT AREA. GOLD FLASH PLATING ON SOLDER TAIL. NICKEL UNDERPLATED OVER ALL.
- MID PLATE : STAINLESS STEEL.
- SHELL : STAINLESS STEEL, NICKEL PLATING.

SPECIFICATION

- CURRENT RATING : 5.0A FOR Vbus PIN, 1.25A FOR Vconn PIN, 0.25A FOR OTHER PINS.
- CONTACT RESISTANCE : 40mΩ.
- INSULATION RESISTANCE : 100MΩ MIN.
- DIELECTRIC WITHSTANDING VOLTAGE : 100 VAC MIN.
- OPERATING TEMPERATURE : -40°C TO +85°C.
- MATING FORCE : 5~20N.
- UNMATING FORCE : 8~20N.
- DURABILITY : 10,000 CYCLES.
- RECOMMENDED PROCESS : THE PEAK TEMPERATURE ON THE BOARD SHALL MAINTAIN 260°C.

3	外壳	不锈钢	镀镍	
2	接触	铜	镀金	
1	基座	LCP	黑色	
序号	品名	材质	电镀/颜色	备注

	深圳市虹成电子有限公司 TITLE TYPE-C母座		
	料号 HC-TYPE-C-24P-035A		
一般公差 TOLERANCE	比列 SCALE	1:1	
±0.30 X' ±2'	单位 UNIT	MM	制图 DRAW AhYe
±0.20 .X' ±1'	张数 PART NO	1 OF 1	审核 CHECKED 夏操云
±0.15 .XX'	版本 REV	A	批准 APPROVE 赵亮亮
.XXX ±0.05 .XXX'			