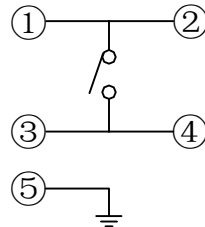
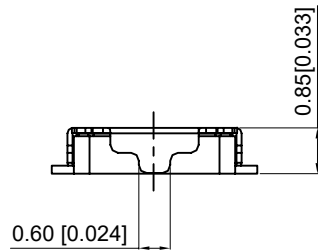
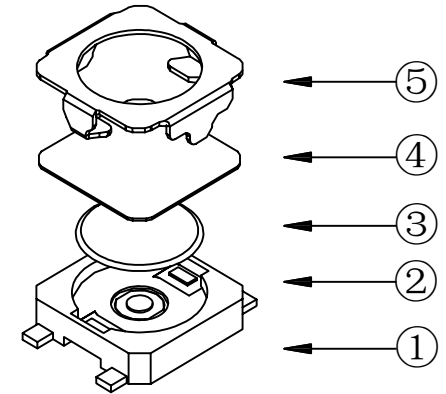
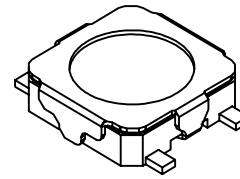


PCB. Welding diagram
PCB. 焊接图



Circuit diagram
电路图



SPECIFICATION

规范
Rating: 50mA.12V DC
额定值: 50mA.12V DC
Insulation resistance: $\geq 100M\Omega$
绝缘电阻: $\geq 100M\Omega$
Dielectric strength: $\geq 250V$ AC 1 min
抗电强度: $\geq 250V$ AC 1 min

Contact resistance: $\leq 100m\Omega$ max
接触电阻: $\leq 100m\Omega$ max
Travel: $0.20 \pm 0.1mm$
行程: $0.20 \pm 0.1mm$
Lifetime: 200000 times
寿命: 200000 times
Operating force: $260 \pm 50gf$
操作力: $260 \pm 50gf$

5	Cover plate 盖板	SUS	1	Clean 清洗
4	Dustproof film 防尘膜	Poly 聚酰亚胺	1	Orange 橙黄色
3	Shrapnel 弹片	SUS	1	Silvering 镀银
2	Essence 本体	LCP	1	Black 黑色
1	Card 卡件	Phosphor bronze 磷铜	1	Silvering 镀银
NO 序号	Part name 部件名	Material 材料	QTY 数量	Remark 备注

A4				
A3				
A2				
A1				
REV	DATE	REVISION	DESCRIPTION	ISSUE
		A		B



COMMON TOLERANCE

X.XX	± 0.10
X.X	± 0.15
X	± 0.25
ANGULAR	—

UNIT

MM

PROJECTED



PRODUCT NAME:

DRAWN BY

FUYUAN

CHECKED BY

COCO

MODEL NO: TP162226085

DATE

2019

APPROVAL B

ALEN

Https: www.rocpu.tw

ROCPCU TECHNOLOGY CO., LTD

Copies are issued in strict confidence and shall not be reproduced or copied, or used as the basic of manufacture or sale of apparatus without permission