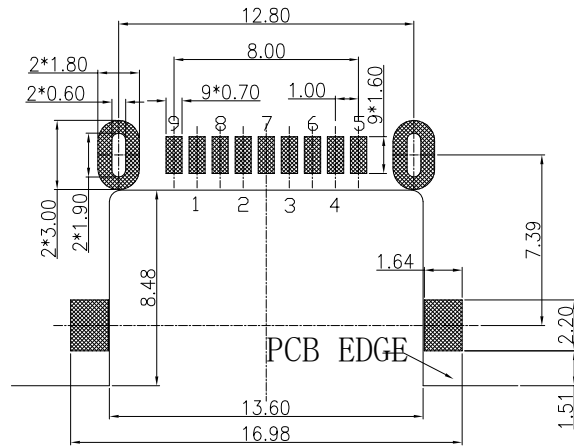
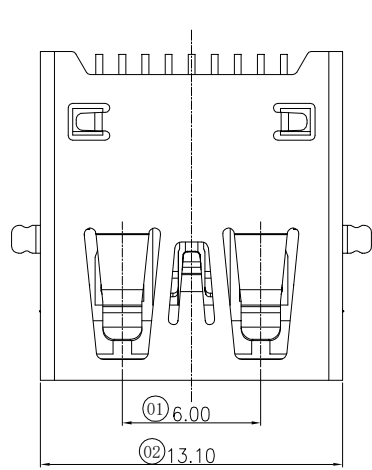
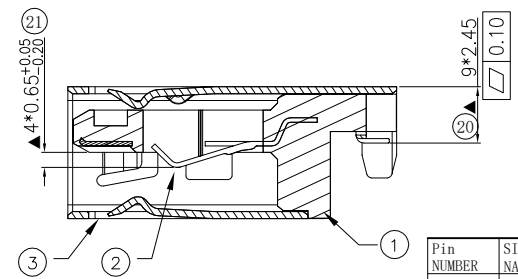
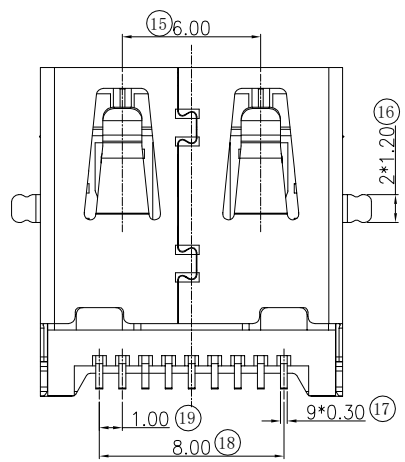
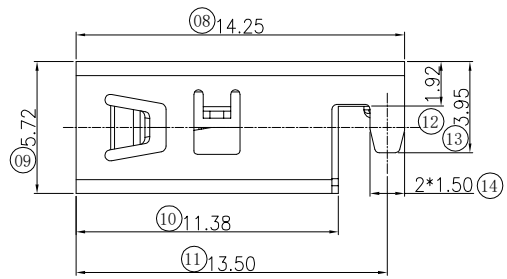
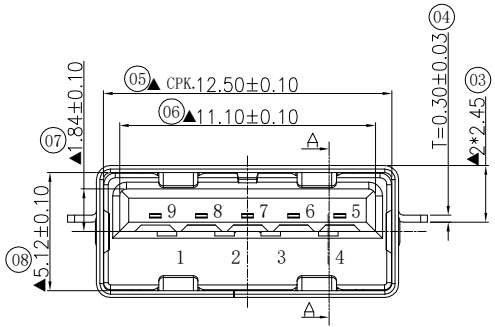


修订	标记	修改摘要	签名	日期
REV	AO	NEW DWG		2016-03-12



RECOMMENDED PCBA LAYOUT  
(TOLERANCE ± 0.05)



NOTES:

- ELECTRONIC:
  - CONTACT CURRENT RATING: 1.5A
  - CONTACT RESISTANCE: 30mohm Max
  - INSULATION RESISTANCE: 100 Megohms Min
  - WITHSTAND VOLTAGE: AC100V, 1Min.
- MECHANICAL:
  - MATING FORCE: 3.57KG Max
  - UNMATED FORCE: 0.8KG Min
  - DURABILITY: 1500 CYCLES
- ENVIRONMENT CHARACTERISTICS:
  - OPERATING TEMPERATURE: -40° C TO +85° C

No.	PART NAME	QTY	MATERIAL	REMARK
3	SHELL	1	COPPER ALLOY/SUS/SPCC	NI PLATED
2	CONTACT	9	COPPER ALLOY	AU /TIN PLATED
1	HOUSING	1	THERMOPLASTIC(LCP)	(UL 94V-0)

Pin NUMBER	SIGNAL NAME
1	VBUS
2	D-
3	D+
4	GND
5	StdA_SSRX-
6	StdA_SSRX+
7	GND_DRAIN
8	StdA_SSTX-
9	StdA_SSTX+
Shell	Shield

**HDCC** 深圳市华德共创科技有限公司  
Shenzhen Huade co-create Technology Co.,LTD  
电话: 0755-27111216 传真: 0755-29940187

-TOLERANCES-  
UNLESS OTHERWISE SPECIFIED  
公差参数表

APPD: 核准:		TITLE: USB 3.0 Gen2 AF SMT 沉板H=2.45MM 产品名称: 外壳 无卷边 不锈钢壳 LCP蓝色	
CHECK: 王建业		PART NO: USB3.0-GD-122PWB 产品编号:	
DRAW: 黄艳兰		DATE	SCALE
绘图:		2016-03-12	1:1
		UNIT	CODE NUMBER
		mm	A001