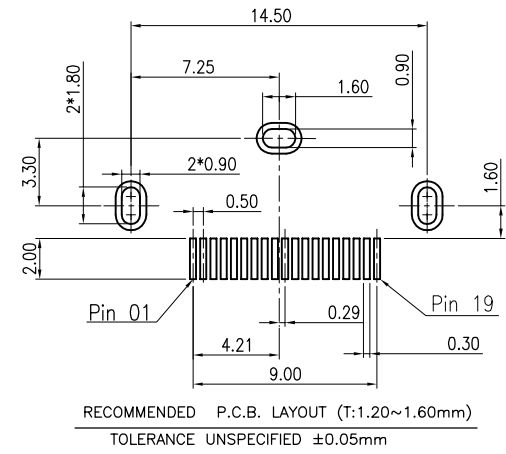
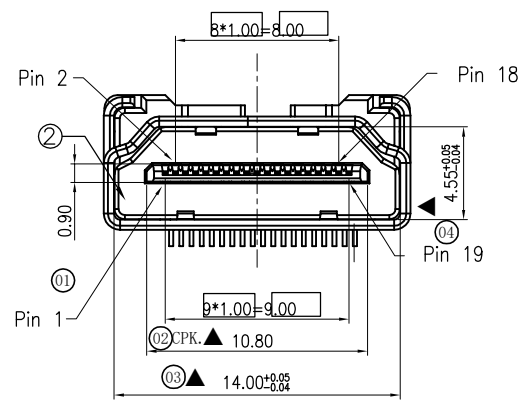
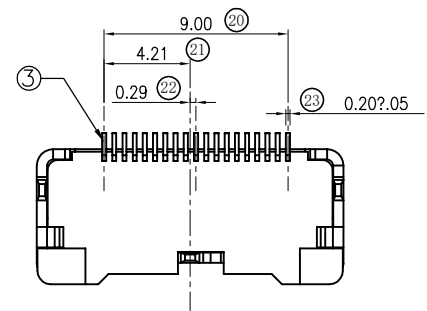
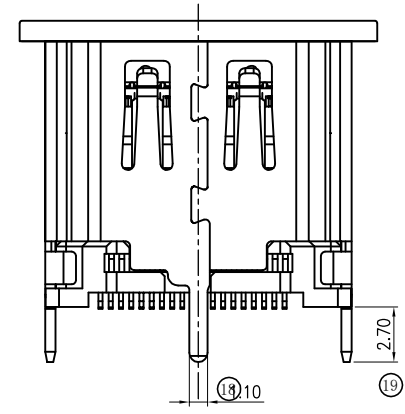
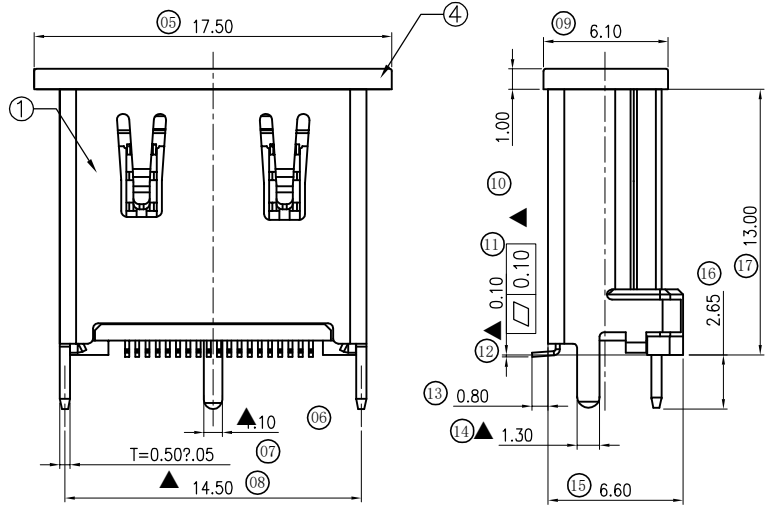


修订	标记	修改摘要	签名	日期
REV	MARK	REVISION DESCRIPTION	SIGNATURE	DATE
AO		NEW DWG		2016-03-12



SPECIFICATIONS

- OPERATING CURRENT: 0.5A MAX.
- OPERATION TEMPERATURE: -25°C TO +85°C
- DIELECTRIC WITHSTANDING VOLTAGE:
500Volts AC BETWEEN ADIACENT TERMINAL(UNMATE)
300Volts AC BETWEEN ADIACENT TERMINAL(MATE)
- INSULATION RESISTANCE:
100Mohm MIN.(UNMATED);10Mohm MIN.(MATED)
- HDMI SPECIFICATION COMPLIANCE
- 盐雾测试: 国际标准要求, 温度35°C, 浓度5%的盐水, 24H, 用清水洗净后观测, 产品无氧化、无锈蚀
- 寿命测试: ≥10000次



ROHS COMPLIANCE

ITEM	NAME	Q'TY	NOTES
4	DUST COVER	1	THERMOPLASTIC UL94V-0
3	CONTACTS	19	COPPER ALLOY, GOLD PLATED OVER NICKEL ON CONTACT AREA AND 100μ" MIN. TIN PLATED OVER NICKEL ON SOLDER TAILS
2	HOUSING	1	THERMOPLASTIC UL94V-0
1	SHELL	1	SPCC,NICKEL PLATED

HDCC 深圳市华德共创科技有限公司
Shenzhen Huade co-create Technology Co.,LTD
电话: 0755-27111216 传真: 0755-29940187

-TOLERANCES- UNLESS OTHERWISE SPECIFIED 公差参数表			TITLE: HDMI 立式母座13高 铁壳镀 产品名称: 镍黑胶			
X.X	±0.30	X.X*	±3°	APPD: 核准:	PART NO: 产品编号: HDMI-GD-118PWB	
X.XX	±0.20	X.XX*	±2°	CHECK: 校对: 王建业	DATE	SCALE UNIT CODE NUMBER
X.XXX	±0.10	X.XXX*	±1°	DRAW: 绘图: 黄艳兰	2016-03-12	1:1 mm A001